

# X3说明书


尺寸: 90mm X 60mm (折好后尺寸) - 360mm X 60mm (展开尺寸)

工艺说明: 单色正反面印刷, 105g 铜板纸.

90.0 mm

360.0 mm

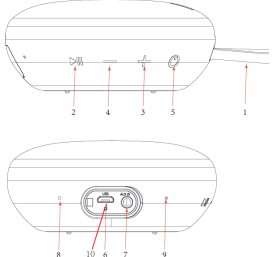
60.0 mm



**SAFETY INSTRUCTIONS**  
**Read all instructions**  
Only charge with devices rated and marked with 5V to avoid damage to the speaker. Do not open up the speaker, it voids the warranty and may damage the product. Rechargeable batteries have a limited number of charge cycles. Battery life and number of charge cycles varies by use and settings. Never place the speaker close to high temperature heat sources. To keep the warranty valid, never try to repair the product yourself.

**PARTS AND FUNCTIONS**

1. Leather Lanyard
2. The multi-function buttons: play/pause/answer call
3. +: The multi-function buttons: Long press to next song, short press to increase the volume.
4. -: The multi-function buttons: Long press to previous song, short press to decrease the volume.
5. power button: Long press to power on/off, short press to transfer the playing mode.
6. USB charging hole
7. AUX IN cable connection interface
8. Microphone hole
9. Charge / Bluetooth indicator
10. Reset



**THE SPEAKER'S BATTERY**  
A built-in rechargeable battery powers the speaker.

**CHARGING**  
Connect the supplied charging cable to the charge input and to a USB port on your computer or a USB charger. The charging LED is lit red during charging. The LED turns off when fully charged. It is recommended to charge 10 minutes before power on if you 7 days unused, then you can continue to use while charging.

**POWER ON/OFF**  
Power on: Long press power on the speaker, then the Bluetooth indicator light is on and you can connect Bluetooth devices.  
Power off: Long press power on the speaker, and then Bluetooth indicator will turn off.

**CONNECT THE SPEAKER**  
On your device search for Bluetooth devices. Select the speaker from the list. The speaker will give an indication sound when the connection is successful. Only one Bluetooth device can be connected at the same time. If you want to connect another device to the speaker, then first disconnect the current one.

**DISCONNECT THE SPEAKER**  
On your device, disconnect the Bluetooth connection with the speaker.

**RECONNECT THE SPEAKER**  
Some Bluetooth devices support automatic reconnection, with those devices the speaker will automatically reconnect. The speaker will not automatically reconnect on devices that does not support automatic reconnection.

**AUDIO CABLE CONNECTION**  
Power the speaker on.  
Connect a 3.5 mm audio cable to the speaker and your device.  
The speaker is now connected to your device.

**THE MF BUTTON'S FUNCTIONALITY**  
Play / pause / answer incoming call / end call = short press on the MF-button.

**CHANGE VOLUME AND SONG**  
**When listening to music**  
Increase volume: Short press on the "+" button.  
Decrease volume: Short press on the "-" button.  
Previous song: Long press on the "-" button.  
Next song: Long press on the "+" button.

**DURING A CALL**  
Increase volume: Long press on the "+" button.  
Decrease volume: Long press on the "-" button.

**HANDS-FREE FUNCTIONALITY**

1. Connect your phone via Bluetooth, the speaker will play ringtones while a call coming.
2. Short press the multifunction key to answer the call on the speaker, you can talk to each other through the microphone hole, after call ended, it will continue to play music.
3. Long press the multifunction key on the speaker to reject an incoming call.
4. When you connect your phone, press twice in rapid multifunction key to call back the last call by telephone.

正面

<p><b>TECHNICAL PARAMETERS</b></p> <ul style="list-style-type: none"> <li>• Model: X3</li> <li>• Speaker: Ø52mm 3Ω 5W*1</li> <li>• Charging time: 2.5 hours</li> <li>• Input: 5.0V=500mA</li> <li>• Product Weight: 224g</li> </ul> <p><b>PACKAGE INCLUDING</b></p> <ul style="list-style-type: none"> <li>• 1pcs* X3 wireless speaker</li> <li>• 1pcs* Product manual</li> <li>• 1pcs* Micro USB cable</li> </ul> <p><b>TWS CONNECTION</b></p> <ol style="list-style-type: none"> <li>1: Turn on both speakers</li> <li>2: Press and hold the Play/Pause-button on one of the speakers for about 2 seconds until you hear a "beep" sound. The default is the primary speaker that you operated the Play/Pause-button of this speaker for pairing initially.</li> <li>3: Release play/Pause button. It can take a few more seconds before speakers connect to each other. Check the indicator lights to distinguish L/R channel: The blue light on one speaker is flashing blue for every 3 seconds that should be the left channel (the primary speaker); the blue light on the other speaker is solid blue that should be the right channel</li> <li>4: Go into the Bluetooth menu on your smartphone and pair the speakers with your phone by selecting the speaker model number. (it will only display 1 number which is both combined in to one)</li> </ol> <p><b>TWS DISCONNECTION</b></p> <ol style="list-style-type: none"> <li>1. Press and hold the Play/Pause-button on one of the speakers for about 2 seconds until you hear a "beep" sound</li> </ol>	<p><b>EXPLANATION</b></p> <ol style="list-style-type: none"> <li>1. Ⓢ the symbol indicates: The product is only suitable for the safe non-tropical climates.</li> <li>2. Note: Please use the same type or equivalent type of battery to replace if the battery is scrapped. Otherwise maybe explosion occurs.</li> <li>3. The lithium battery may not be exposed such as fire or excessive heat.</li> </ol> <p><b>FAULT AND MAINTENANCE</b> <b>First fault: connection failed.</b> Solution: (1) Please check whether the multifunction indicator light flashes blue. Please power on your speakers if the light isn't on. Please charge the speaker if the light is still not on. (2) Please turn off the other Bluetooth devices, if there are many Bluetooth devices surrounding. This may result in search difficulties. (3) Restart wireless speaker on devices for Bluetooth search function.</p> <p><b>Second problem: The music player appears sound breaks.</b> Solution: (1) View the distance between the player and the speaker has not been exceeded effective Bluetooth connection distance 8-12meters. (2) Ensure there is not any obstacle between the play device and speakers. (3) Check the playback device or whether the speaker is in a low power state.</p> <p><b>NOTES BEFORE USE</b> This product is designed with full attention for safety performance. To ensure safe operation, please follow the following rules: 1. Place the speakers in a stable position avoid fall and cause damage or personal injury. 2. Do not drop, disassemble, open, crush, bend, puncture, burn speaker.</p>	<ol style="list-style-type: none"> <li>3. Do not close to any heat source (such as radiators, heating equipment, stoves, or other heat-generating equipment) where the use of speakers.</li> <li>4. Please send professional maintenance staff to repair for any reason damage.</li> <li>5. Before wiping with a dry cloth to clean the speakers, set the power switch to the off position and unplug the power cord from the power outlet.</li> <li>6. Health considerations, please adjust the sound to a suitable level.</li> </ol> <p><b>FCC STATEMENT:</b> This device complies with Part 15 of the FCC Rules. Operation is subject to the following two conditions: (1) This device may not cause harmful interference, and (2) This device must accept any interference received, including interference that may cause undesired operation.</p> <p><b>WARNING:</b> Changes or modifications not expressly approved by the party responsible for compliance could void the user's authority to operate the equipment.</p> <p><b>NOTE</b> This equipment has been tested and found to comply with the limits for a Class B digital device, pursuant to Part 15 of the FCC Rules. These limits are designed to provide reasonable protection against harmful interference in a residential installation. This equipment generates uses and can radiate radio frequency energy and, if not installed and used in accordance with the instructions, may cause harmful interference to radio communications. However, there is no guarantee that interference will not occur in a particular installation. If this equipment does cause harmful interference to radio or television reception, which can be determined by turning the equipment off and on, the user is encouraged to try to correct the interference by one or more of the following measures:</p>	<p>Reorient or relocate the receiving antenna. Increase the separation between the equipment and receiver. Connect the equipment into an outlet on a circuit different from that to which the receiver is connected. Consult the dealer or an experienced radio/TV technician for help.</p> <p><b>FCC Radiation Exposure Statement:</b> This equipment complies with FCC radiation exposure limits set forth for an uncontrolled environment. This equipment should be installed and operated with minimum distance 20cm between the radiator &amp; your body.</p> <p><b>TROUBLESHOOTING</b> <b>The speaker does not turn on ?</b> Recharge your speaker. <b>The speaker does not turn off or does not respond ?</b> Reset your speaker. There is a small hole over the USB port. Press and hold the reset button with clip for 5 seconds. <b>There is no sound?</b> Adjust the volume. Make sure that your Bluetooth device is within range. Ensure there is no obstacles in the way that can block/disturb the signal. Check via the device's Bluetooth connection if the speaker is connected with the device. <b>There is poor sound quality?</b> Move the device closer to the speaker or try removing obstacles between them. <b>Cannot connect the device with the speaker?</b> Disconnect other connected devices and then try again. You can force a disconnection by moving out of Bluetooth range (10 m). <b>In order to avoid harming the product performance, please do charge your device each 3 months at least.</b></p>
---	---	---	---

反面