

**Maximum Permissible Exposure (MPE)****No. 180701794SHA-002**

Applicant : Zhejiang Yankon Group Co.,Ltd.  
TONGJIANG MIDDLE ROAD SHANGYU  
ECONOMIC DEVELOPMENT ZONE ZHEJIANG  
PROVINCE

Manufacturer : Zhejiang Yankon Group Co.,Ltd.  
TONGJIANG MIDDLE ROAD SHANGYU  
ECONOMIC DEVELOPMENT ZONE ZHEJIANG  
PROVINCE

Equipment : LED Desk Light

Type/Model : MTSL1011XX (X can be A to Z, it represents the color of  
the enclosure. For example, HF means Fuschia as H  
represents Hong and F represents Fuschia).

**SUMMARY**

The equipment complies with the requirements according to the following standard(s):

**FCC PART 1 SECTION 1.1310**

Date of issue: August 21, 2018

Prepared by:



Erick Liu (*Project Engineer*)

Reviewed by:



Daniel Zhao (*Reviewer*)

## Description of Test Facility

Name: Intertek Testing Services Shanghai

Address: Building No.86, 1198 Qinzhou Road(North), Shanghai 200233, P.R. China

FCC Registration Number: 236597

IC Assigned Code: 2042B-1

Name of contact: Jonny Jing

Tel: +86 21 61278200 ext. 271

Fax: +86 21 54262335 ext. 271

## Content

|  |          |
|--|----------|
| <b>SUMMARY</b> .....   | <b>1</b> |
| <b>DESCRIPTION OF TEST FACILITY</b> .....                          | <b>2</b> |
| <b>1. GENERAL INFORMATION</b> .....                                | <b>4</b> |
| 1.1 Applicant Information.....                                     | 4        |
| 1.2 Identification of the EUT .....                                | 4        |
| 1.3 Technical specification .....                                  | 5        |
| 1.4 Mode of operation during the test / Test peripherals used..... | 5        |
| <b>2. TEST SPECIFICATION</b> .....                                 | <b>6</b> |
| 2.1 Instrument list .....  | 6        |
| 2.2 Test Summary .....   | 6        |
| <b>3. RF EXPOSURE</b> .....  | <b>7</b> |
| 3.1 Limit.....   | 7        |
| 3.2 Test Configuration .....                                       | 7        |
| 3.3 Test Protocol .....  | 8        |

## 1. General Information

### 1.1 Applicant Information

Applicant: Zhejiang Yankon Group Co.,Ltd.  
TONGJIANG MIDDLE ROAD SHANGYU  
ECONOMIC DEVELOPMENT ZONE ZHEJIANG  
PROVINCE

Manufacturer: Zhejiang Yankon Group Co.,Ltd.  
TONGJIANG MIDDLE ROAD SHANGYU  
ECONOMIC DEVELOPMENT ZONE ZHEJIANG  
PROVINCE

Sample received date: August 03, 2018

Date of test: August 06, 2018- August 10, 2018

### 1.2 Identification of the EUT

Equipment: LED Desk Light

Type/model: MTSL1011XX (X can be A to Z, it represents the color of the enclosure. For example, HF means Fuschia as H represents Hong and F represents Fuschia).

**1.3 Technical specification**

Operating Frequency Range: 110-175kHz

Rating: 120V~, 60Hz, 5W

Description of EUT: The EUT is a desk lamp with wireless charging function.

**1.4 Mode of operation during the test / Test peripherals used**

We tested the load at all three power level modes, and the 100% Power level mode is the worst case, we listed the results in this report.

| Item No. | Name  | Manufacturer | Mode                | Rating     |
|----------|-------|--------------|---------------------|------------|
| 1        | Load1 | Client       | 100%<br>Power level | DC 5V/1A   |
| 2        | Load2 | Client       | 50%<br>Power level  | DC 5V/0.5A |
| 3        | Load3 | Client       | Stand by            | DC 5V/0A   |

## 2. Test Specification

### 2.1 Instrument list

|                       |         |              |           |           |
|-----------------------|---------|--------------|-----------|-----------|
| Semi-anechoic chamber | Model   | Manufacturer | 2017-5-12 | 2019-5-11 |
| Exposure Level Tester | ELT-400 | Narda        | 2017.8.5  | 2019.8.4  |
| Field sensor          | FP6001  | AR           | 2017.8.5  | 2019-8-4  |
| Field meter           | FM5004  | AR           | 2017.8.5  | 2019-8-4  |

### 2.2 Test Summary

**This report applies to tested sample only. This report shall not be reproduced in part without written approval of Intertek Testing Service Shanghai.**

| TEST ITEM   | FCC REFERANCE   | Limit  | RESULT |
|-------------|-----------------|--------|--------|
| RF Exposure | FCC PART 1.1310 | 1.1310 | Pass   |

### 3. RF Exposure

**Test result: PASS**

#### 3.1 Limit

Limits for General Population/Uncontrolled Exposure

| Frequency Range (MHz) | Electric Field Strength (E) (V/m) | Magnetic Field Strength (H) (A/m) | Power Density (S) (mW/cm <sup>2</sup> ) | Averaging Time  E  <sup>2</sup> ,  H  <sup>2</sup> or S (minutes) |
|-----------------------|-----------------------------------|-----------------------------------|---|---|
| 0.3-1.34              | 614                               | 1.63                              | (100)*                                  | 30  |
| 1.34-30               | 824/f                             | 2.19/f                            | (180/f <sup>2</sup> )*                  | 30  |
| 30-300                | 27.5                              | 0.073                             | 0.2                                     | 30  |
| 300-1500              | --                                | --                                | f/150                                   | 30  |
| 1500-100,000          | --                                | --                                | 1.0                                     | 30  |

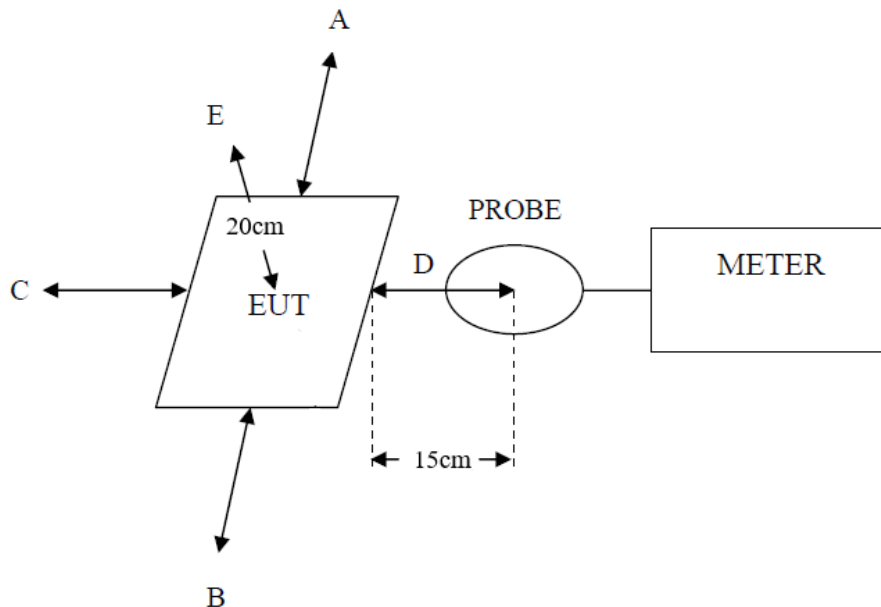
f = frequency in MHz

\*Plane-wave equivalent power density

KDB 680106 D01(3)(3):

For devices designed for typical desktop applications, such a wireless charging pads, RF exposure evaluation should be conducted assuming a user separation distance of 10 cm. E and H field strength measurements or numerical modeling may be used to demonstrate compliance. Measurements should be made from all sides and the top of the primary/client pair, with the 10 cm measured from the center of the probe(s) to the edge of the device.

#### 3.2 Test Configuration



**3.3 Test Protocol**

Temperature : 23°C  
Relative Humidity : 55%

EUT was tested with empty load, half load and full load, the full load is the worst case and we listed the results in the report.

## Test result of Magnetic Field Strength:

| Test Position | Test distance (cm) | Test result (A/m) | Limit (A/m) |
|---------------|--------------------|-------------------|-------------|
| A: Right      | 15                 | 0.0511            | 1.63/2      |
| B: Left       | 15                 | 0.0586            | 1.63/2      |
| C: Front      | 15                 | 0.0541            | 1.63/2      |
| D: Back       | 15                 | 0.0599            | 1.63/2      |
| E: Top        | 20                 | 0.0903            | 1.63/2      |

## Test result of Electric Field Strength:

| Test Position | Test distance (cm) | Test result (V/m) | Limit (V/m) |
|---------------|--------------------|-------------------|-------------|
| A: Right      | 15                 | 2.21              | 614/2       |
| B: Left       | 15                 | 2.26              | 614/2       |
| C: Front      | 15                 | 2.31              | 614/2       |
| D: Back       | 15                 | 2.64              | 614/2       |
| E: Top        | 20                 | 2.83              | 614/2       |