

emplus




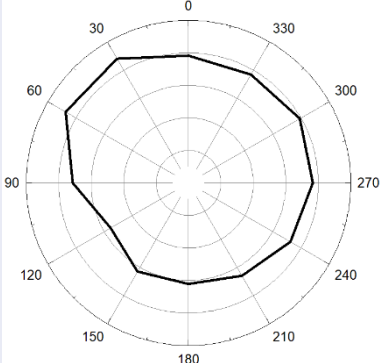
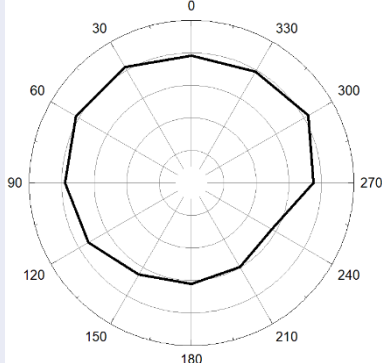
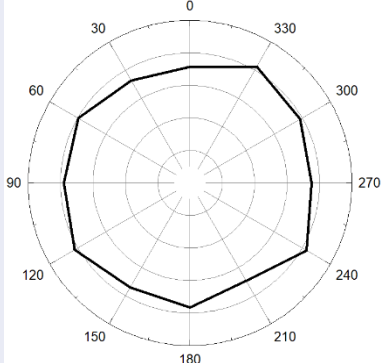
WAP385 Antenna design proposal

V4.3
Tim Chao
2022/06/23




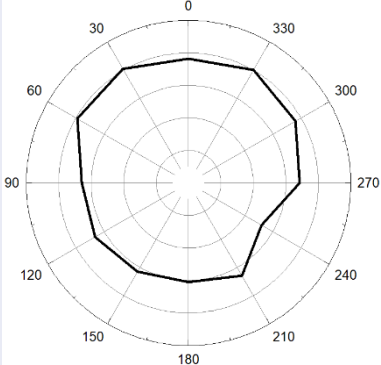
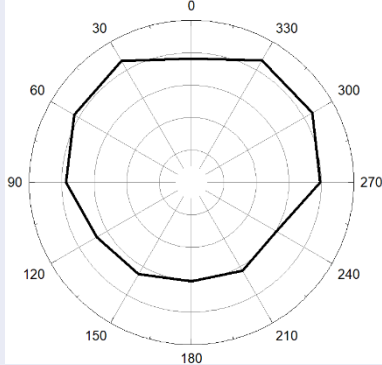
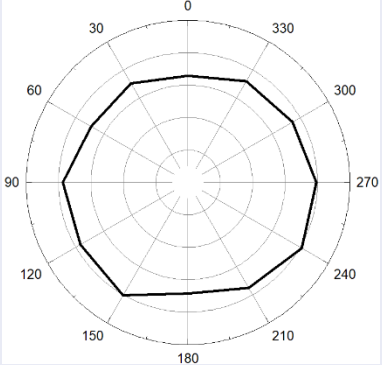
Gain table

	Antenna	Peak gain (dBi)	Efficiency (%)
2.45GHz	2-1	4.44	72
	2-2	4.93	72
5GHz	5-1	6.43	68
	5-2	5.78	68




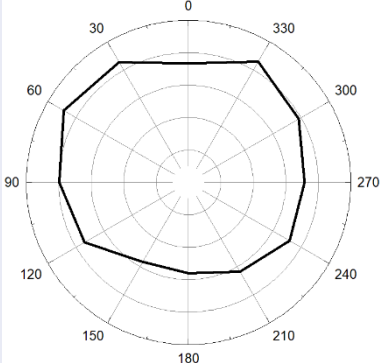
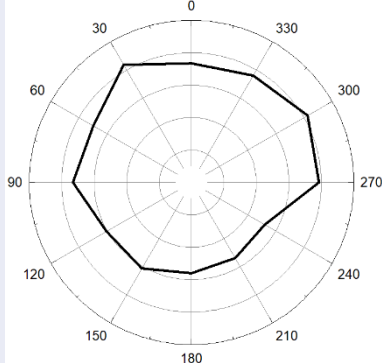
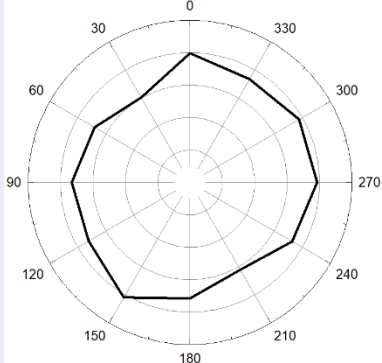
2D pattern : 2-1

Frequency	XZ Plane	YZ Plane	XY Plane (Azimuth)
2.45GHz			
			




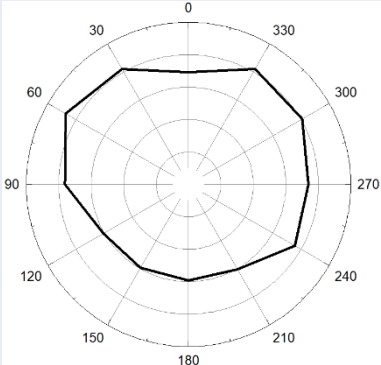
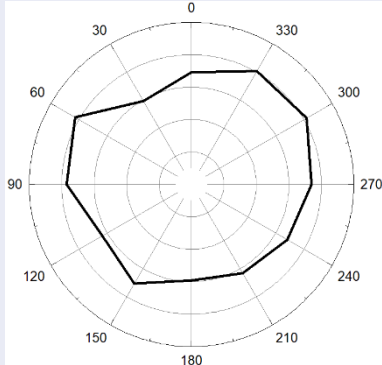
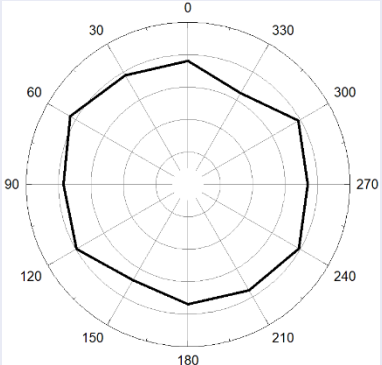
2D pattern : 2-2

Frequency	XZ Plane	YZ Plane	XY Plane (Azimuth)
2.45GHz			
			


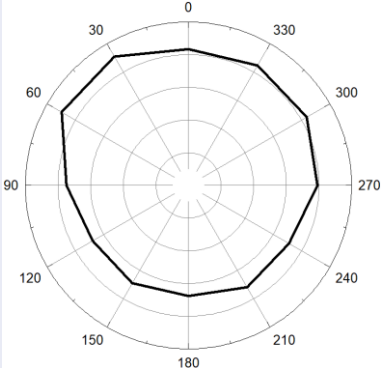

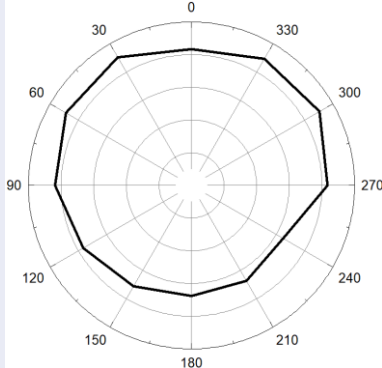

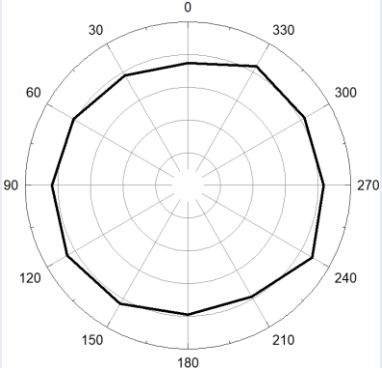
2D pattern : 5-1

Frequency	XZ Plane	YZ Plane	XY Plane (Azimuth)
5.49GHz			
			




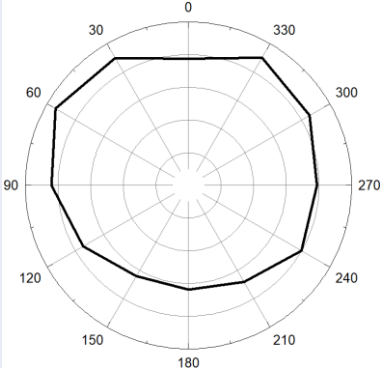
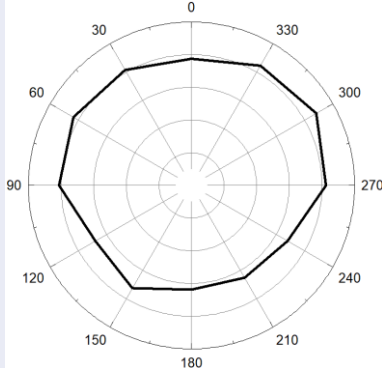
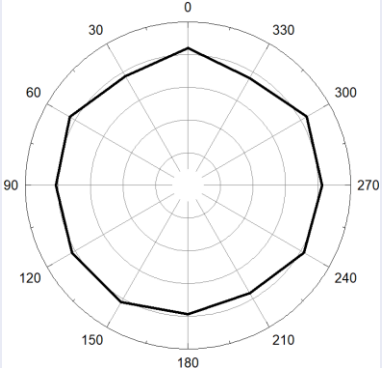
2D pattern : 5-2

Frequency	XZ Plane	YZ Plane	XY Plane (Azimuth)
5.49GHz			
			

Combine pattern : 2.45GHz

Frequency	XZ Plane	YZ Plane	XY Plane (Azimuth)
2.45GHz	 	 	 

Combine pattern : 5.49GHz

Frequency	XZ Plane	YZ Plane	XY Plane (Azimuth)
5.49GHz			
			

The logo for 'emplus' is centered in the image. It features the word 'emplus' in a lowercase, sans-serif font. The 'e' and 'm' are a light blue color, while the 'p' and 'l' are a darker blue, and the 'u' and 's' are a light blue color. The background is a large, abstract graphic consisting of two overlapping circles filled with a low-poly, geometric pattern of various shades of blue. The overall aesthetic is clean and modern.

Dependable, Accountable, and always Available

We are your best partner!