

# Dongguan Kexun Electronics Co., Ltd

## Parts Approval Sheet

Supplier: Dongguan Kexun Electronics Co., Ltd

Parts Name: 2.4G antenna 1.37-long-90

Type/Spec: \_\_\_\_\_ Parts No.: 10030043

Brand: \_\_\_\_\_ Quantity: 10pcs

Send out Date: 2022.10.19 Document No.: \_\_\_\_\_

Approve Date: \_\_\_\_\_ Version: \_\_\_\_\_



| Supplier    |             | Customer          |               |
|-------------|-------------|-------------------|---------------|
| Approved By | Prepared By | Engineering Dept. | Quality Dept. |
| 梁兴          | 王利          |                   |               |

## Specification Contents

|   |     |
|---|-----|
| Electrical parameters                                   | 3   |
| Mechanical parameters                                   | 3   |
| Use and storage temperature                             | 3   |
| Test equipment  | 4   |
| Structural dimension drawing                            | 5   |
| Reliability experiment                                  | 6   |
| Precautions for use: Environmental requirements for use | 6   |
| test data   | 7-9 |



## 一、Electrical parameters

|                 |                   |
|-----------------|-------------------|
| Frequency Range | 2.4-2.5 GHz       |
| Impedance       | 50 $\Omega$       |
| VSWR            | $\leq 2:1$        |
| Peak Gain(dBi)  | 5.0dB             |
| Power capacity  | 2W                |
| Polarization    | Linear horizontal |
| Radiation       | Omni-directional  |

## 二、Mechanical parameters

|                  |              |
|------------------|--------------|
| See line length  | 90 $\pm$ 5mm |
| concentric cable | 1.37         |

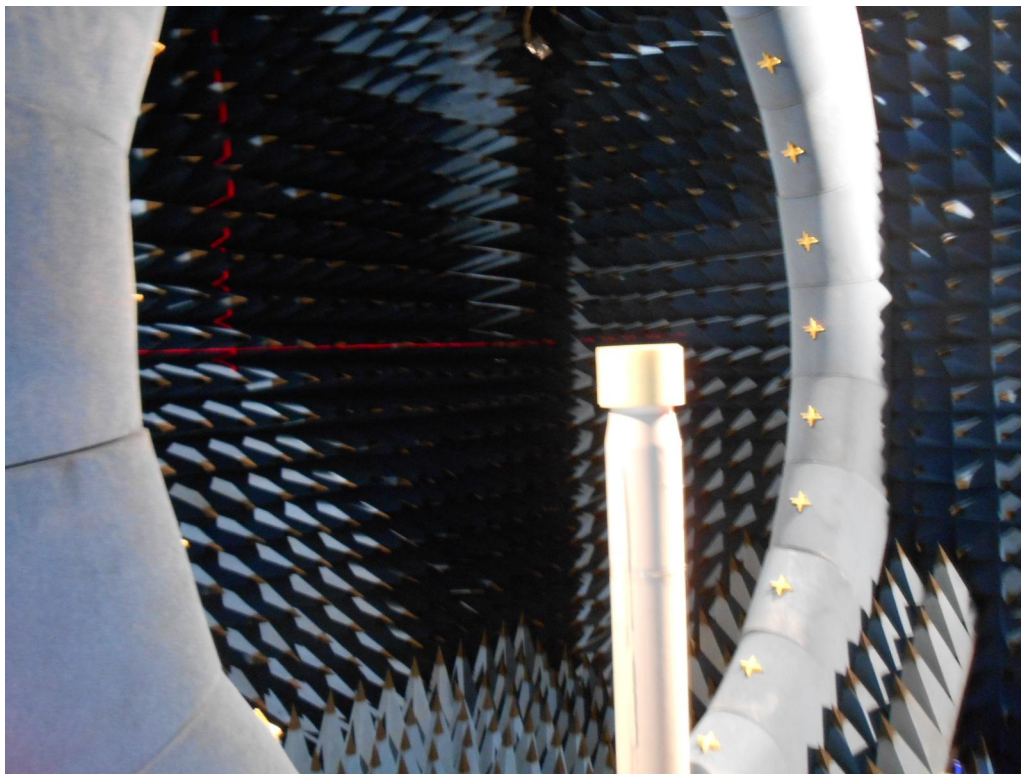
## 三、工作/储存温度

|                |                                    |
|----------------|------------------------------------|
| Operating Temp | -30 $^{\circ}$ C ~ 65 $^{\circ}$ C |
| Storage Temp   | -30 $^{\circ}$ C ~ 75 $^{\circ}$ C |

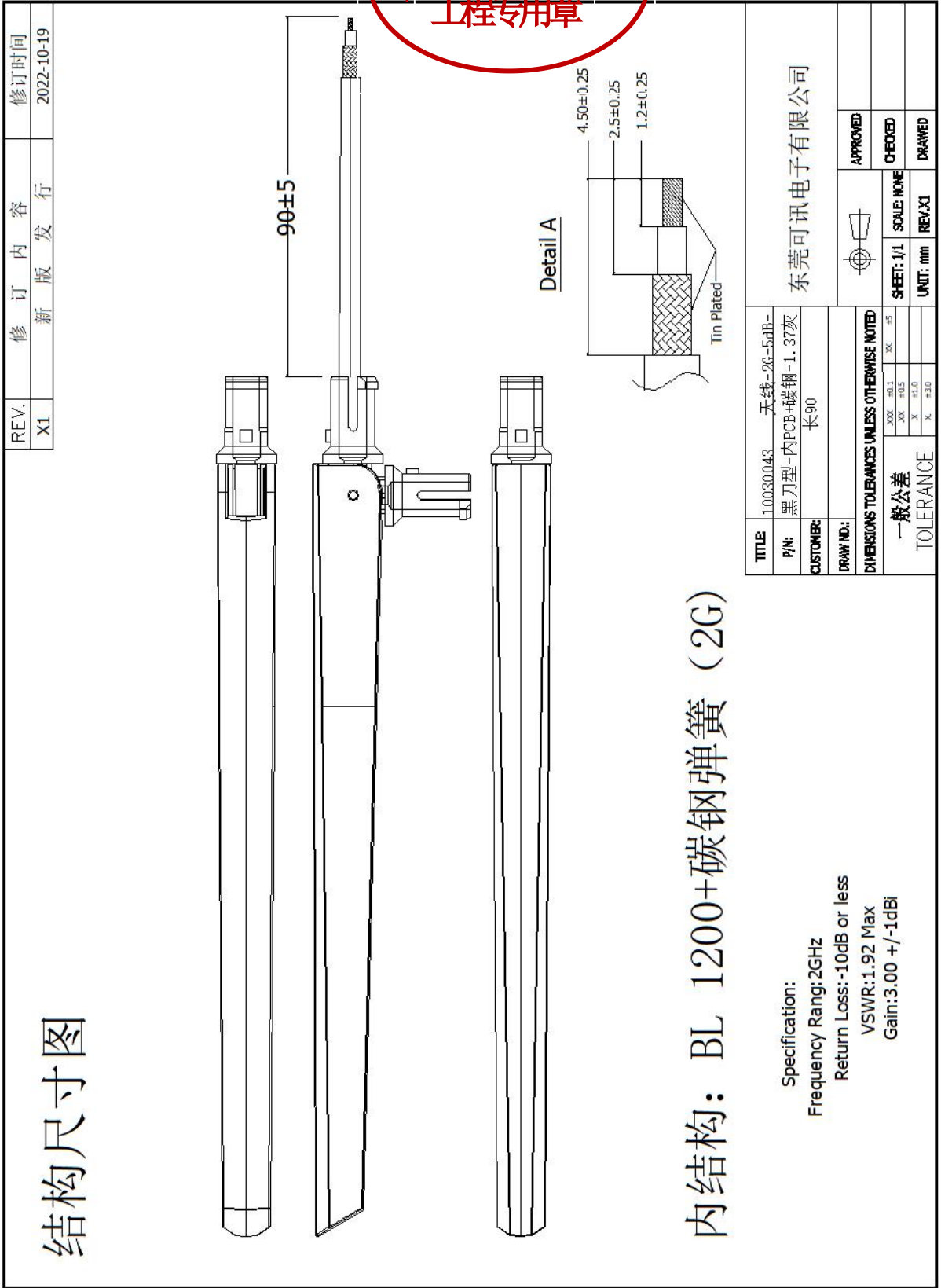
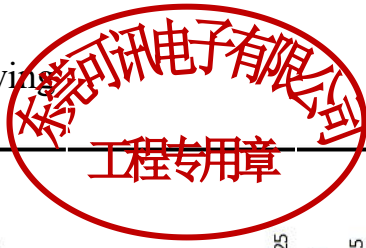


四、Test equipment:

SATIMO 24SG



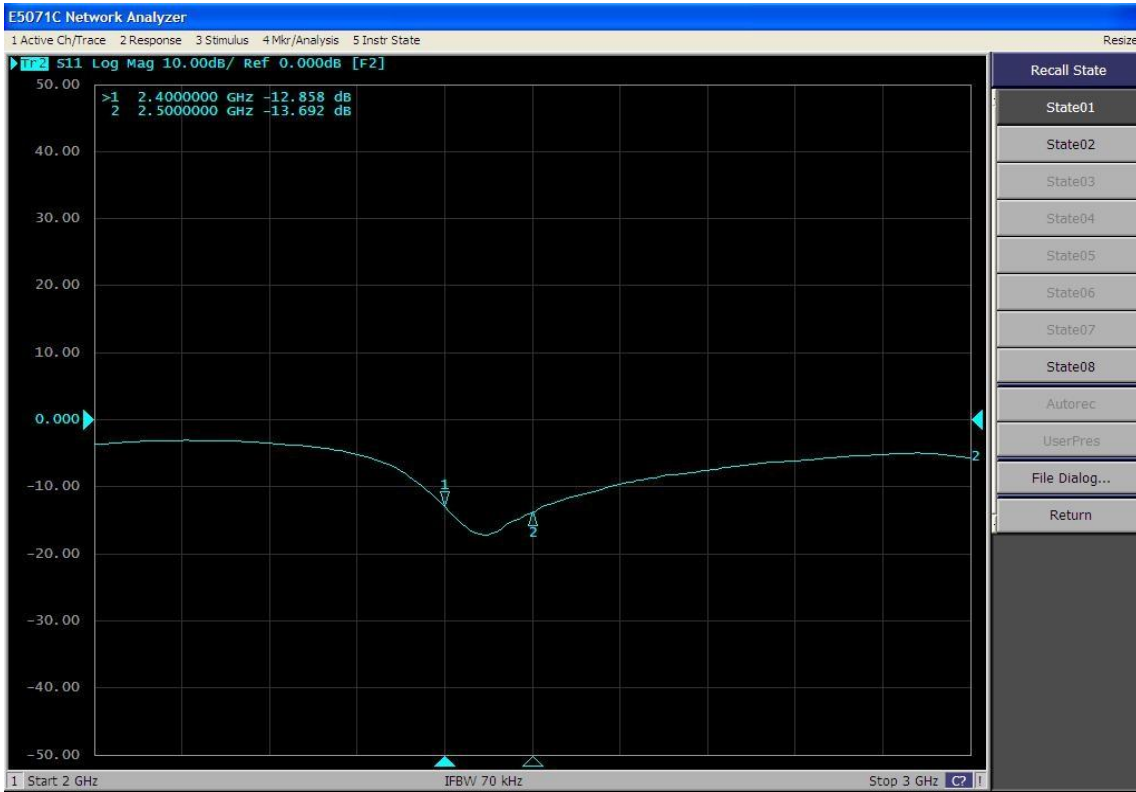
五、Structural dimension drawing



六、Precautions for use: NO

七、test data

1、Return Loss and Standing Wave Ratio(2GHz)



2、Benefits and Benefits

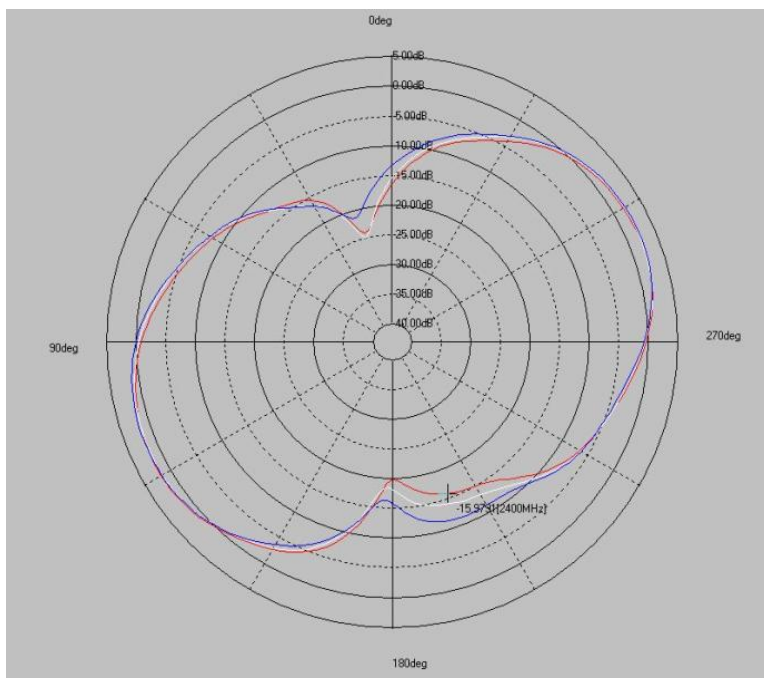
| Frequency<br>(MHz) | X-Z plane |               | Y-Z plane |               | X-Y plane |               | E-total<br>(dBi) | Efficiency<br>(%) |
|--------------------|-----------|---------------|-----------|---------------|-----------|---------------|------------------|-------------------|
|                    | Peak Gain | Averag e Gain | Peak Gain | Averag e Gain | Peak Gain | Averag e Gain |                  |                   |
|                    |           |               |           |               |           |               |                  |                   |

|      |      |       |      |       |      |      |      |     |
|------|------|-------|------|-------|------|------|------|-----|
| 2400 | 3.11 | -2.54 | 3.40 | -5.05 | 2.62 | 2.45 | 4.43 | 68% |
| 2450 | 3.20 | -2.21 | 3.13 | -5.19 | 2.70 | 2.36 | 4.62 | 75% |
| 2500 | 3.32 | -2.91 | 3.30 | -4.88 | 2.63 | 2.56 | 4.98 | 72% |

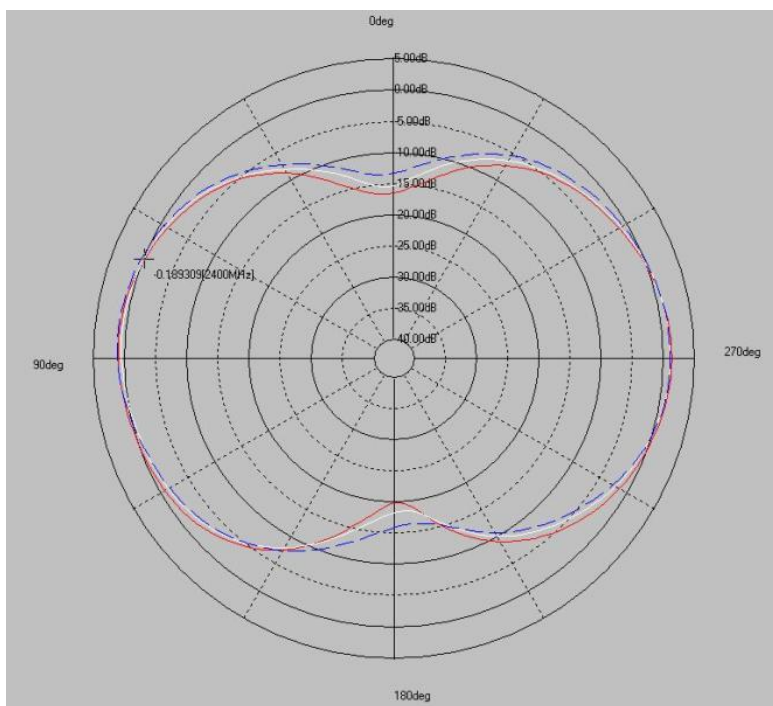
3. Directional pattern



x-z plane



y-z plane



x-y plane

