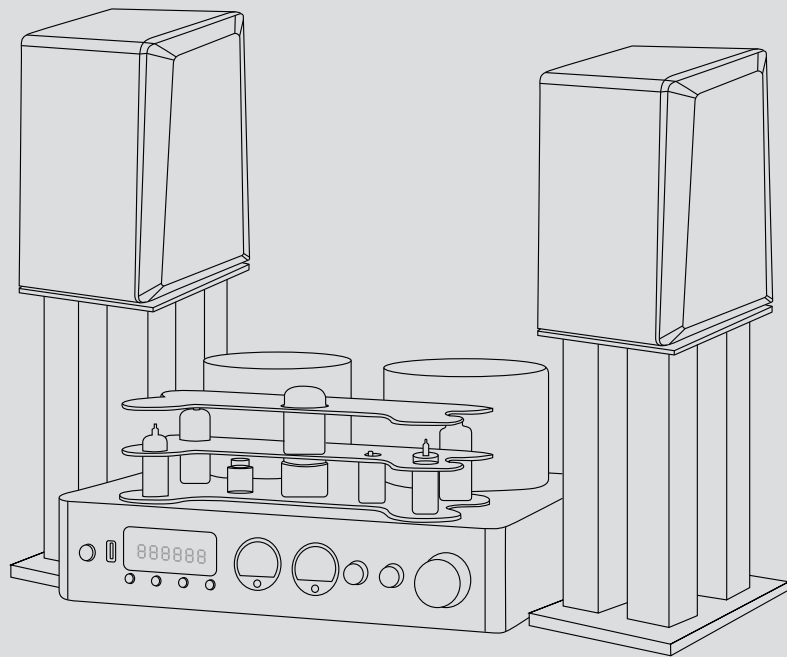


**THOMSON**

# HIFI-BOOKSHELF SPEAKERS

User Manual



QYTM-J208

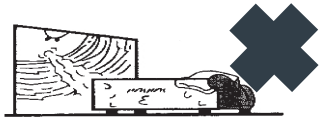
**THOMSON**

- We greatly appreciate your purchase of the product.
- To help you make full use of all the functions provided by this product, please read these Instructions carefully and complete the settings correctly.
- Please keep these Instructions properly for future reference in case of problems.

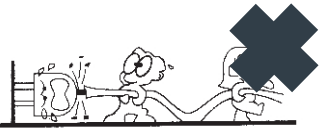
## Safety Warning



- ⚡ This sign indicates that there is no device in the product that the user needs to operate and adjust. So please do not open the top cover without authorization to avoid the risk of electric shock.
- ⚠ This sign warns the user not to open the top cover without authorization except by a qualified technician to avoid the risk of electric shock.



- 1. Please place the product in a well-ventilated area**  
Do not place the product in the area exposed to hot sun or near heat-producing equipment. Avoid placing the product in an enclosed rack. When the product is placed in a rack, there should be a large enough ventilation hole to strengthen heat dissipation.



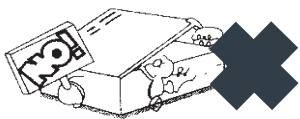
- 2. Pay attention to the protection of power cable**  
Avoid pressing or trampling the power cable by heavy objects. Do not pull or twist the power cable forcefully. When pulling out the plug from a socket, hold the plug to pull it out.



- 3. Do not let sundries fall into the product**  
Do not let needles, hairpins, coins and other sundries fall into the product to avoid damage.

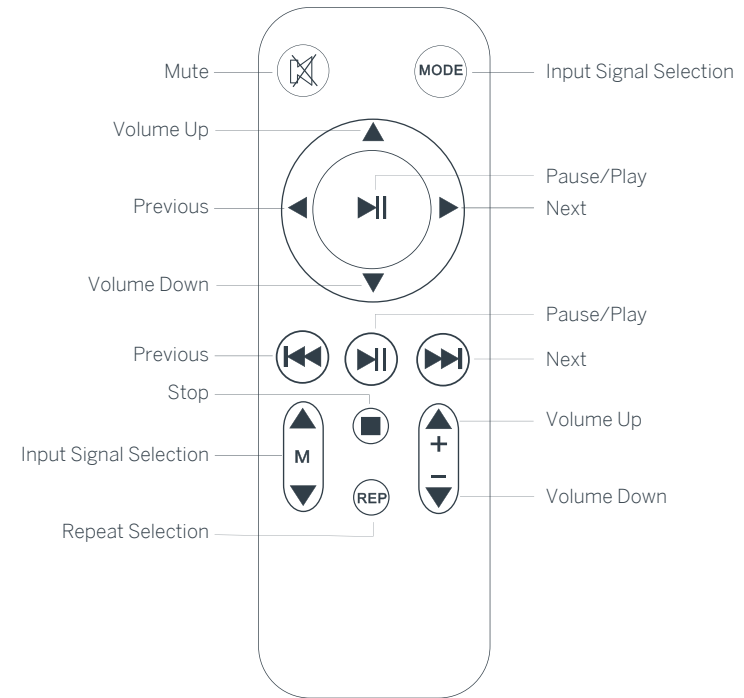


- 4. Pay attention to moisture, water and dust**  
Do not place the product in a hot or dusty place. Vases or other objects with water should not be placed above this product. Do not expose the product to rain or water splashing.



- 5. Do not open the cabinet at will**  
Severe electric shock may occur in the case of repair, disassembly or reassembly by non-specialized person, or accidental contact with internal parts. This product has no internal parts that can be repaired by users. When this product needs to be repaired, please ask professional maintenance personnel to serve you.

## Remote Control Function

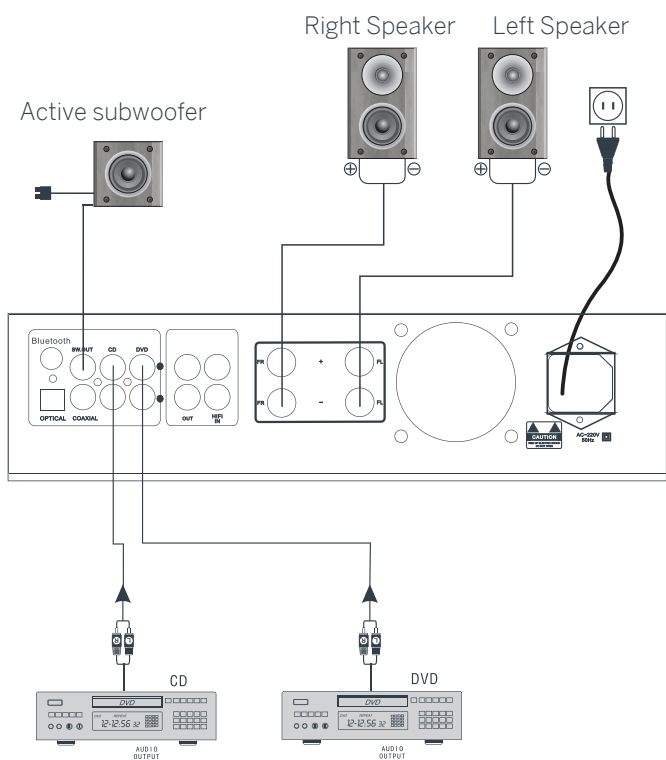


This product has been manufactured and sold under the responsibility of MAXTALENT INDUSTRIAL Limited. Thomson and the Thomson logo are trademarks used under license by MAXTALENT INDUSTRIAL Limited. Further information at [www.maxtdigital.com/THOMSON](http://www.maxtdigital.com/THOMSON). Any other product, service, company, trade or product name and logo referenced herein are the property of their respective owners.

Manufacture: Shenzhen Qiuyu Electronic Co.,Ltd  
 Website: [www.maxtdigital.com/THOMSON](http://www.maxtdigital.com/THOMSON)  
 Support: [service@maxtdigital.com](mailto:service@maxtdigital.com)  
 Made in China  
 V1.0

## System Connection Description

- Do not plug in the power supply until all parts of the system are properly connected.
- To prevent circuit damage, do not let the positive and negative speaker wiring contact each other to avoid short circuit.
- The signal connection cable has certain influence on the replaying of music, so it is recommended to use the signal connection cable with good shielding.
- The plug must be firmly inserted. Poor contact may produce noise or result in no signal output.

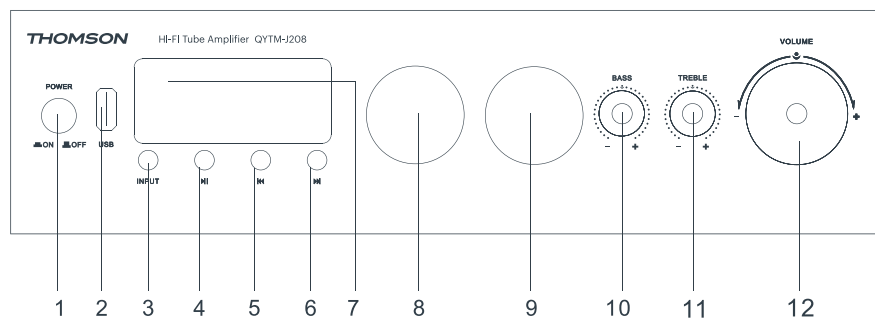


## Parameter Description

Power consumption	300W
Output power	200W+200W
Input impedance	47 K $\Omega$
Input sensitivity	300mV
Overload source electromotive force (tonal direct)	$\geq 2V$
High	$\pm 10$ db
Bass	$\pm 10$ db
Signal-to-noise ratio	$\geq 80$ dB
Total harmonic distortion (1KHz)	$\leq 0.5\%$
Frequency response	20Hz~ 20KHz $\pm 2$ dB

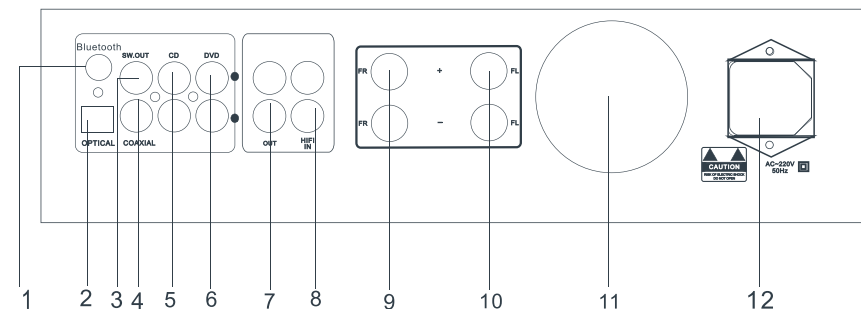
- The specifications in these Instructions are the technical specifications of the prototype, which are for reference only.
- Design specifications and functions of the product are subject to change without prior notice.
- In case of printing or other problems, please contact us. We will serve you warmly.

## Front Panel Function Description



- |   |   |
|---|---|
| 1. Power switch   | 7. Display screen and remote control receiving window |
| 2. USB port   | 8. Left channel VU meter                              |
| 3. Audio input button<br>(DIGITAL, DVD, CD, Bluetooth, USB) | 9. Right channel VU meter                             |
| 4. Pause/Play   | 10. Bass tuning knob                                  |
| 5. Previous button  | 11. Treble tuning knob                                |
| 6. Next button  | 12. Volume control knob                               |

## Rear Panel Function Description



- |   |                               |
|---|-------------------------------|
| 1. Unscrew the Bluetooth antenna before use | 7. HIFI output                |
| 2. Optical signal input                     | 8. HIFI input                 |
| 3. Subwoofer signal output                  | 9. Right speaker terminal     |
| 4. Coaxial signal input                     | 10. Left speaker terminal     |
| 5. CD signal input                          | 11. Intelligent fan           |
| 6. DVD signal input                         | 12. Power input: AC 220V/50Hz |

## FCC WARNING

This device complies with part 15 of the FCC Rules. Operation is subject to the following two conditions: (1) this device may not cause harmful interference, and (2) this device must accept any interference received, including interference that may cause undesired operation.

Any changes or modifications not expressly approved by the party responsible for compliance could void the user's authority to operate the equipment.

NOTE: This equipment has been tested and found to comply with the limits for a Class B digital device, pursuant to Part 15 of the FCC Rules. These limits are designed to provide reasonable protection against harmful interference in a residential installation. This equipment generates, uses and can radiate radio frequency energy and, if not installed and used in accordance with the instructions, may cause harmful interference to radio communications.

However, there is no guarantee that interference will not occur in a particular installation. If this equipment does cause harmful interference to radio or television reception,

which can be determined by turning the equipment off and on, the user is encouraged to try to correct the interference by one or more of the following measures:

- Reorient or relocate the receiving antenna.
- Increase the separation between the equipment and receiver.
- Connect the equipment into an outlet on a circuit different from that to which the receiver is connected.
- Consult the dealer or an experienced radio/TV technician for help.

To maintain compliance with FCC's RF Exposure guidelines, This equipment should be installed and operated with minimum 20cm distance between the radiator and your body: Use only the supplied antenna.