

en	Original Instructions - Long-reach sander	6
fr	Notice d'utilisation d'origine - Ponceuse à bras	24
es	Manual de instrucciones original - Lijadora de pared	44



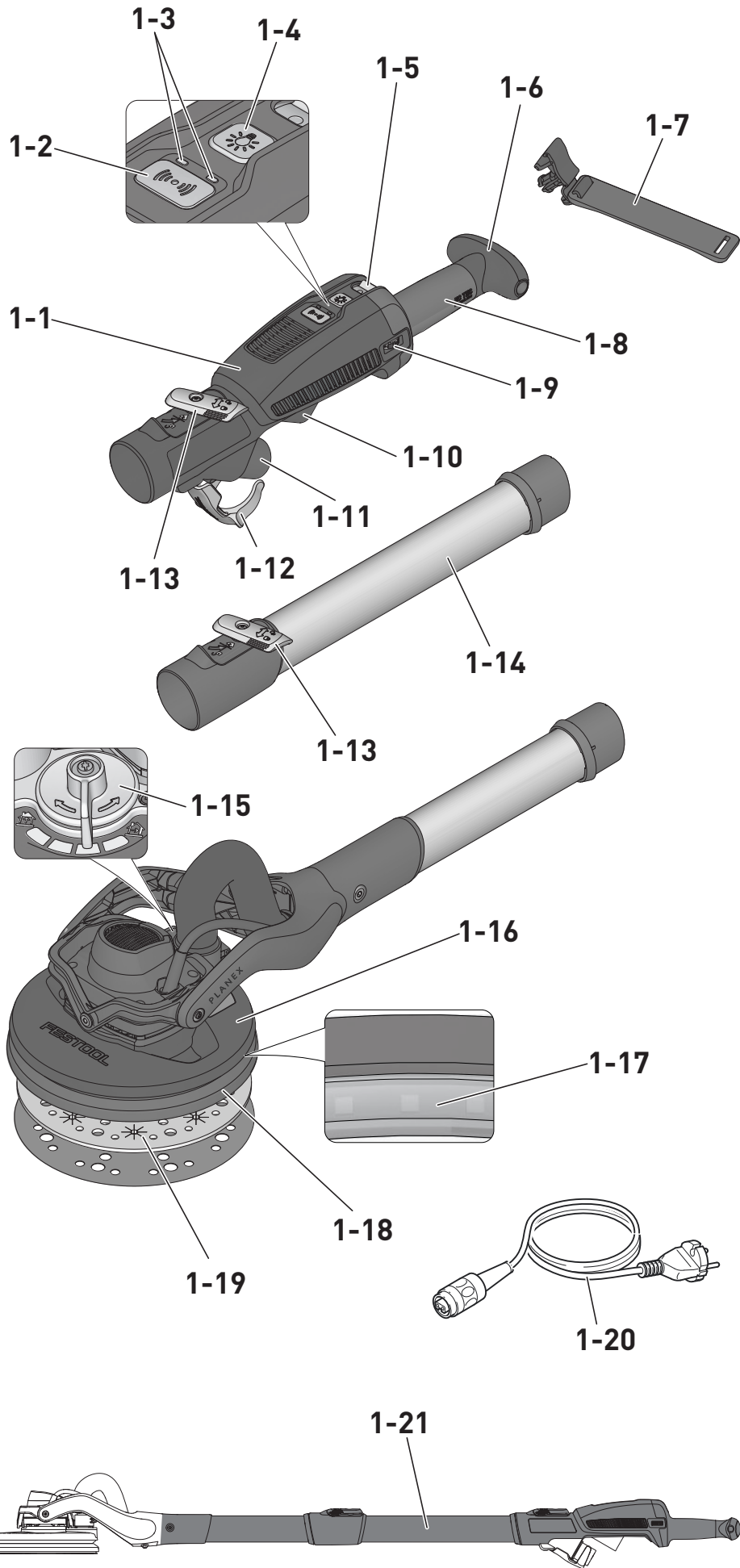
Read all instructions before using
Lire toutes les instructions avant de démarrer les travaux.
Lea y comprende todas las instrucciones antes de usar.



PLANEX LHS 2 225 EQI



1






Contents

1	About this manual.....	6
2	Symbols.....	6
3	Safety warnings.....	6
4	Intended use.....	9
5	Technical data.....	9
6	Functional description.....	10
7	Commissioning.....	10
8	Settings.....	12
9	Working with the electric power tool.....	16
10	Service and maintenance.....	18
11	Accessories.....	19
12	Environment.....	19
13	General information.....	20
14	Troubleshooting.....	21







1 About this manual








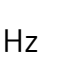
Save these instructions

It is important for you to read and understand this manual. The information it contains relates to protecting **your safety** and **preventing problems**. The symbols below are used to help you recognize this information.

	DANGER	Description of imminent hazard and failure to avoid hazard will result in death.
	WARNING	Description of hazard and possible resulting injuries or death.
	CAUTION	Description of hazard and possible resulting injuries.
	NOTICE	Description of possible damage of the device or its surroundings.


2 Symbols

	Warning of general danger
	Warning of electric shock
	Read the operating instructions and safety instructions.
	Wear ear protection.
	Wear a dust mask.
	Wear protective goggles.

	Pull out the mains plug
	Connecting the mains power cable
	Disconnecting the mains power cable
	CAUTION! Do not look directly into the light beam!
	Safety class II
	Tool contains a chip which stores data. See section 13.1
	Tip or advice
	Handling instruction
Hz	hertz
W	watt
V	volt
~	alternating current
a.c.	
n_0	no load speed
rpm	revolutions per minute
min^{-1}	revolutions per minute
lb.	pound
kg	kilogram
\varnothing	diameter
mm	millimetre
m	metre
"	inch

3 Safety warnings

3.1 General power tool safety warnings

 **WARNING! Read all safety warnings, instructions, illustrations and specifications provided with this power tool.** Failure to follow all instructions listed below may result in electric shock, fire and/or serious injury.

Save all warnings and instructions for future reference.

The term "power tool" in the warnings refers to your mains-operated (corded) power tool or battery-operated (cordless) power tool.

1 WORK AREA SAFETY

- Keep work area clean and well lit.** Cluttered or dark areas invite accidents.

- b. **Do not operate power tools in explosive atmospheres, such as in the presence of flammable liquids, gases or dust.** Power tools create sparks which may ignite the dust or fumes.
- c. **Keep children and bystanders away while operating a power tool.** Distractions can cause you to lose control.

2 ELECTRICAL SAFETY

- a. **Power tool plugs must match the outlet. Never modify the plug in any way. Do not use any adapter plugs with earthed (grounded) power tools.** Unmodified plugs and matching outlets will reduce risk of electric shock.
- b. **Avoid body contact with earthed or grounded surfaces, such as pipes, radiators, ranges and refrigerators.** There is an increased risk of electric shock if your body is earthed or grounded.
- c. **Do not expose power tools to rain or wet conditions.** Water entering a power tool will increase the risk of electric shock.
- d. **Do not abuse the cord. Never use the cord for carrying, pulling or unplugging the power tool. Keep cord away from heat, oil, sharp edges or moving parts.** Damaged or entangled cords increase the risk of electric shock.
- e. **When operating a power tool outdoors, use an extension cord suitable for outdoor use.** Use of a cord suitable for outdoor use reduces the risk of electric shock.
- f. **If operating a power tool in a damp location is unavoidable, use a residual current device (RCD) protected supply.** Use of an RCD reduces the risk of electric shock.

3 PERSONAL SAFETY

- a. **Stay alert, watch what you are doing and use common sense when operating a power tool. Do not use a power tool while you are tired or under the influence of drugs, alcohol or medication.** A moment of inattention while operating power tools may result in serious personal injury.
- b. **Use personal protective equipment. Always wear eye protection.** Protective equipment such as a dust mask, non-skid safety shoes, hard hat or hearing protection used for appropriate conditions will reduce personal injuries.
- c. **Prevent unintentional starting. Ensure the switch is in the off-position before con-**

necting to power source and/or battery pack, picking up or carrying the tool. Carrying power tools with your finger on the switch or energising power tools that have the switch on invites accidents.

- d. **Remove any adjusting key or wrench before turning the power tool on.** A wrench or a key left attached to a rotating part of the power tool may result in personal injury.
- e. **Do not overreach. Keep proper footing and balance at all times.** This enables better control of the power tool in unexpected situations.
- f. **Dress properly. Do not wear loose clothing or jewellery. Keep your hair and clothing away from moving parts.** Loose clothes, jewellery or long hair can be caught in moving parts.
- g. **If devices are provided for the connection of dust extraction and collection facilities, ensure these are connected and properly used.** Use of dust collection can reduce dust-related hazards.
- h. **Do not let familiarity gained from frequent use of tools allow you to become complacent and ignore tool safety principles.** A careless action can cause severe injury within a fraction of a second.

4 POWER TOOL USE AND CARE

- a. **Do not force the power tool. Use the correct power tool for your application.** The correct power tool will do the job better and safer at the rate for which it was designed.
- b. **Do not use the power tool if the switch does not turn it on and off.** Any power tool that cannot be controlled with the switch is dangerous and must be repaired.
- c. **Disconnect the plug from the power source and/or remove the battery pack, if detachable, from the power tool before making any adjustments, changing accessories, or storing power tools.** Such preventive safety measures reduce the risk of starting the power tool accidentally.
- d. **Store idle power tools out of the reach of children and do not allow persons unfamiliar with the power tool or these instructions to operate the power tool.** Power tools are dangerous in the hands of untrained users.
- e. **Maintain power tools and accessories. Check for misalignment or binding of moving parts, breakage of parts and any other**

condition that may affect the power tool's operation. If damaged, have the power tool repaired before use. Many accidents are caused by poorly maintained power tools.

- f. **Keep cutting tools sharp and clean.** Properly maintained cutting tools with sharp cutting edges are less likely to bind and are easier to control.
- g. **Use the power tool, accessories and tool bits etc. in accordance with these instructions, taking into account the working conditions and the work to be performed.** Use of the power tool for operations different from those intended could result in a hazardous situation.
- h. **Keep handles and grasping surfaces dry, clean and free from oil and grease.** Slippery handles and grasping surfaces do not allow for safe handling and control of the tool in unexpected situations.

5 SERVICE

- a. **Have your power tool serviced by a qualified repair person using only identical replacement parts.** This will ensure that the safety of the power tool is maintained.
- b. **Only use original Festool parts for repair and maintenance.** The use of incompatible accessories or spare parts can result in electric shocks or other injuries.

3.2 Machine-specific safety notices

- **This power tool is intended to function as a sander with abrasive. Read all safety warnings, instructions, illustrations and specifications provided with this power tool.** Failure to follow all instructions listed below may result in electric shock, fire and/or serious injury.
- **Do not use accessories which are not specifically designed and specified by the tool manufacturer.** Just because the accessory can be attached to your power tool, it does not assure safe operation.
- **The outside diameter and the thickness of your accessory must be within the capacity rating of your power tool.** Incorrectly sized accessories cannot be adequately guarded or controlled.
- **Do not use a damaged accessory. Before each use inspect the accessory such as abrasives for chips and cracks, backing pad for cracks, tear or excess wear. If power tool or accessory is dropped, in-**


spect for damage or install an undamaged accessory.

- **Wear personal protective equipment. Depending on application, use face shield, safety goggles or safety glasses. As appropriate, wear dust mask, hearing protectors, gloves and workshop apron capable of stopping small abrasive or workpiece fragments.** The eye protection must be capable of stopping flying debris generated by various operations. The dust mask or respirator must be capable of filtering particles generated by your operation. Prolonged exposure to high intensity noise may cause hearing loss.
- **Keep bystanders a safe distance away from work area. Anyone entering the work area must wear personal protective equipment.** Fragments of workpiece or of a broken accessory may fly away and cause injury beyond immediate area of operation.
- **Hold the power tool by insulated gripping surfaces, because the sanding surface may contact its own cord.** Cutting a "live" wire may make exposed metal parts of the power tool "live" and could give the operator an electric shock.
- **Position the cord clear of the spinning accessory.** If you lose control, the cord may be cut or snagged and your hand or arm may be pulled into the spinning accessory.
- **Never lay the power tool down until the accessory has come to a complete stop.** The spinning accessory may grab the surface and pull the power tool out of your control.
- **Do not run the power tool while carrying it at your side.** Accidental contact with the spinning accessory could snag your clothing, pulling the accessory into your body.
- **Regularly clean the power tool's air vents.** The motor's fan will draw the dust inside the housing and excessive accumulation of powdered metal may cause electrical hazards.
- **Do not use accessories that require liquid coolants.** Using water or other liquid coolants may result in electrocution or shock.

3.3 Further safety instructions

- **Harmful/poisonous dust may be produced when working (e.g. paint products containing lead and some types of wood).** Contact with or inhalation of this dust may pose a risk for the operating personnel or persons in the vicinity. Comply with the

safety regulations that apply in your country. Connect the power tool to a suitable dust extractor.

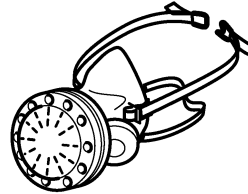
- **Wear at least a P2 respiratory mask to protect your health. Ensure there is adequate ventilation in enclosed spaces.**
- **Use a residual-current circuit breaker (RCCB) or an isolating transformer if operation of the power tool in a damp environment cannot be avoided.** In the event of an electric shock, the residual-current circuit breaker (RCCB) or isolating transformer protects you against life-threatening current through the body.
- If potentially explosive or self-igniting dust is produced during sanding, the machining instructions issued by the material manufacturer must always be followed.
- **Caution: Fire hazard! Prevent the material being sanded and the sander from overheating. Always empty the dust container before taking breaks from work.** Grinding dust in the filter bag and/or in the filter of the mobile dust extractor may ignite spontaneously under unfavourable conditions, such as flying sparks, when sanding. There is a particular risk if the sanding dust is mixed with clear coats or polyurethane residues or other chemical substances and the material being sanded becomes hot after it has been worked on for a long time.
- **Metals and materials that contain asbestos must not be processed.** Sparks may be created in the dust bag when processing metals. This increases the risk of fire.
- **Hold the power tool firmly with both hands and maintain a stable stance when performing work.** Using both hands ensures that the power tool is guided safely, see Section 9.2
-  **Warning of harmful light radiation. Do not look into the light beam for long periods. Do not direct the light beam towards other people or animals.** Optical radiation can damage the eyes.
- **Always use an antistatic suction hose (AS) with the power tool.** A slight electric shock may cause you to panic briefly and become distracted, which may result in an accident.
- **Always use original Festool backing pads.** Pads from other manufacturers can break.

3.4 Health hazard by dust



WARNING! various dust created by power sanding, sawing, grinding, drilling and other construction activities contains chemicals known (to the State of California) to cause cancer, birth defects or other reproductive harm. Some examples of these chemicals are:

- lead from lead-based paints,
- crystalline silica from bricks and cement and other masonry products, and
- arsenic and chromium from chemically treated lumber.



The risk from these exposures varies, depending on how often you do this type of work. To reduce your exposure to these chemicals: work in a well ventilated area, and work with approved safety equipment, such as dust masks that are specially designed to filter out microscopic particles. Wash hands after handling.



WARNING

TO REDUCE THE RISK OF INJURY, USER MUST READ INSTRUCTION MANUAL.

4 Intended use

The long-reach sander is designed for sanding primed drywall constructions, ceilings and walls indoors as well as for removing carpet residue and coats of paint indoors.

A maximum of two extension tubes can be used.

The long-reach sander is **not** suitable for wet sanding and for working with oil and polishing agents.

Not suitable for continuous industrial operation.



The user is liable for improper or non-intended use.

5 Technical data

Long-reach sander	LHS 2 225 EQ1
Power	400 W
Speed (no-load)	5000–8500 min ⁻¹
Sanding stroke	5/32" (4 mm)

Long-reach sander	LHS 2 225 EQI
Backing pad diameter	8-21/32" (220 mm)
Abrasive diameter	8-27/32" (225 mm)
Dust extraction connection	1-7/16" (1-1/16"), 36 mm (27 mm)
Frequency	2402 Mhz – 2480 Mhz
Equivalent Isotropically Radiated Power (EIRP)	<10 dBm
Short version length (without extension tube)	47" (1.2 m)
Long version length (one extension tube)	65" (1.65 m)
Weight as per EPTA-Procedure 01:2014	
Long version (one extension tube)	10.4 lbs (4.7 kg)
Short version (without extension tube)	8.8 lbs (4 kg)

6 Functional description

- [1-1]** Handle
- [1-2]** Bluetooth® button
- [1-3]** LED indicator
- [1-4]** Surface control light button
- [1-5]** On/off switch
- [1-6]** T-handle
- [1-7]** Hose clip
- [1-8]** Handle
- [1-9]** Speed control
- [1-10]** Plug-it connection
- [1-11]** Extractor connector
- [1-12]** Suction sleeve stop
- [1-13]** Locking lever
- [1-14]** Extension tube
- [1-15]** Suction regulator
- [1-16]** Sanding head
- [1-17]** Surface control light
- [1-18]** Backing pad
- [1-19]** Interface pad

[1-20] Plug-it mains power cable

[1-21] Insulated gripping surfaces

The pictures for the functional description are on a fold-out page at the beginning of the instruction manual. While reading the manual you can fold out the page for comparison and quick reference.

7 Commissioning



WARNING

Risk of injury, electric shock

- ▶ Always disconnect the mains plug from the socket before performing any work on the machine.

7.1 Assembling/disassembling



WARNING

Incorrect installation

Risk of injury from falling parts and loss of control

- ▶ Before switching on the power tool, make sure that all locking levers are completely closed.

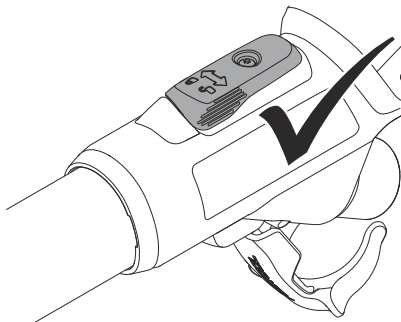
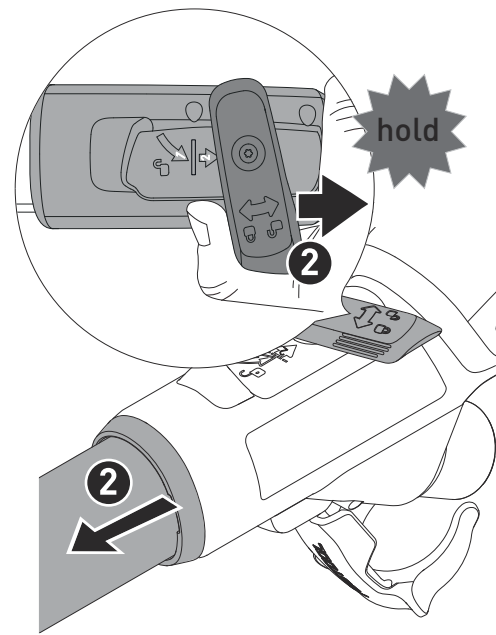
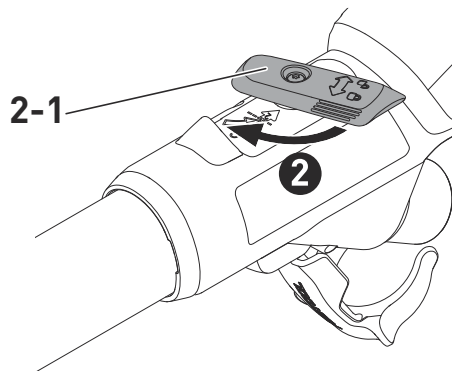
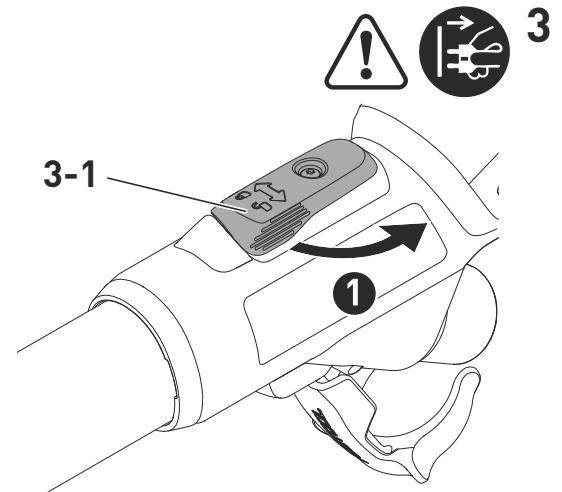
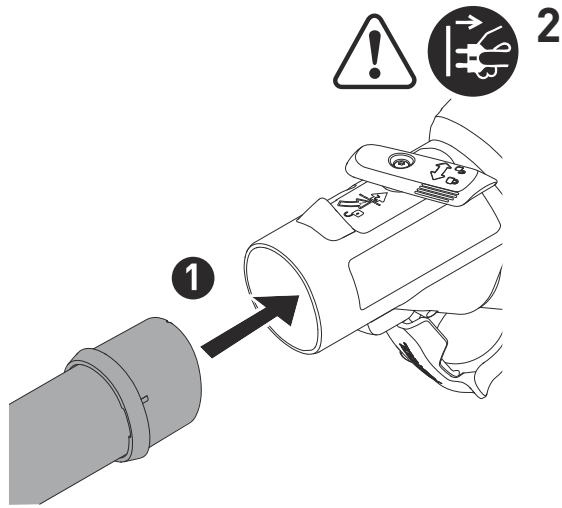
Assembly [2]

The long-reach sander consists of a LHS 2 225 EQI handle **[1-1]**, a maximum of two extension tubes EXT-LHS 2 225 **[1-14]** and a sanding head TOP-LHS 2 225 **[1-16]**.

- ▶ **①** Push the pipe end of the sanding head into the opening on the handle as far as it will go.
- ▶ **②** Turn the locking lever **[2-1]** towards the sanding head as far as it will go.
- ▶ Check whether the handle and sanding head are firmly connected by pulling them apart.

The handle and sanding head are securely connected.

Assemble the extension tubes in the same way as the handle.

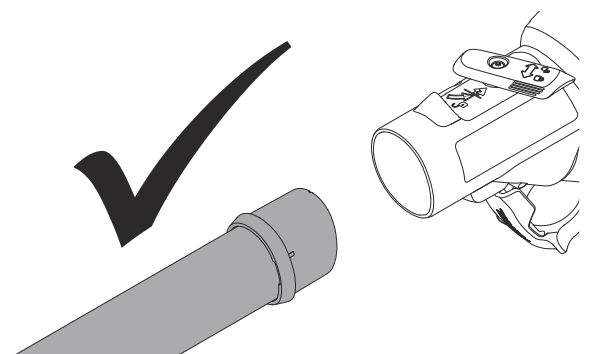


Disassembling [3]

- ▶ ① Open the locking lever [3-1].
- ▶ ② Turn the locking lever [3-1] further towards the end of the handle as far as it will go and hold it in this position. Pull the sanding head and handle apart at the same time.

The sanding head and handle are separate and can be stored in a Systainer.

Disassemble the extension tubes in the same way as the handle.



7.2 Connecting



WARNING

Unauthorised voltage or frequency.

Risk of accidents

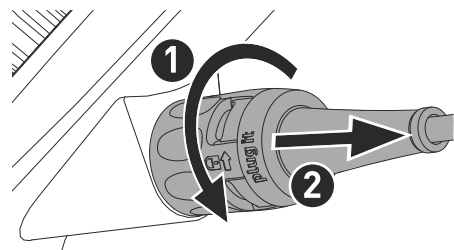
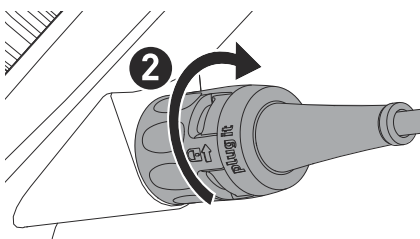
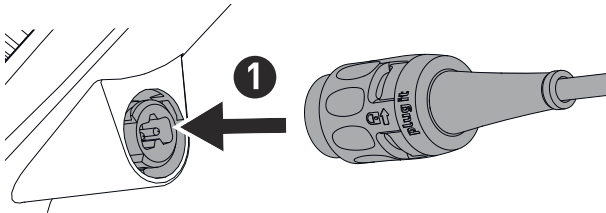
- ▶ The mains voltage and the frequency of the power source must correspond to the specifications on the name plate.
- ▶ In North America, only Festool machines with the voltage specifications 120 V/60 Hz may be used.

**CAUTION**

Heating of the Plug it connection if bayonet fitting is not completely locked

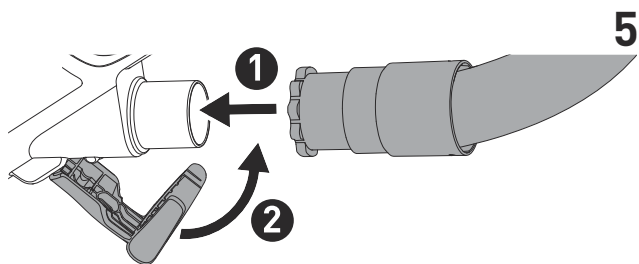
Risk of burns

- ▶ Before switching on the power tool, make sure that the bayonet fitting at the mains cable is closed fully and locked.
- ▶ Connect and disconnect the mains power cable - [4].



- ▶ To connect the suction hose [5], see also Section 8.6.

Using a special vacuum sleeve, the PLANEX suction hose guarantees a permanent fixing and better protection against kinking.

**7.3 Switching on/off****On/off switch [1-5]**

I = ON, 0 = OFF

8 Settings**WARNING****Risk of injury, electric shock**

- ▶ Always disconnect the mains plug from the socket before performing any work on the machine.

8.1 Motor and electronics

The power tool is equipped with a brushless EC-TEC motor for a long service life and power electronics with the following properties:

Smooth start-up

The electronically controlled smooth start-up function ensures that the power tool starts up smoothly.

Speed control

You can use the adjusting wheel [1-9] to continuously adjust the speed within the speed range (see Section 5). This enables the sanding speed to be optimally adjusted to suit the material you are working on.

Constant speed

The preselected motor speed is kept constant through electronic control. This means that, if the machine is used as intended (reasonable contact pressure), a constant sanding speed is achieved.

Overheating protection

To avoid the power tool overheating, the power consumption is limited at an excessive temperature (e.g. if the pressure is too high while working). If the temperature continues to rise, the power tool switches off. It can only be switched on again once the power tool has cooled sufficiently.

Overload protection

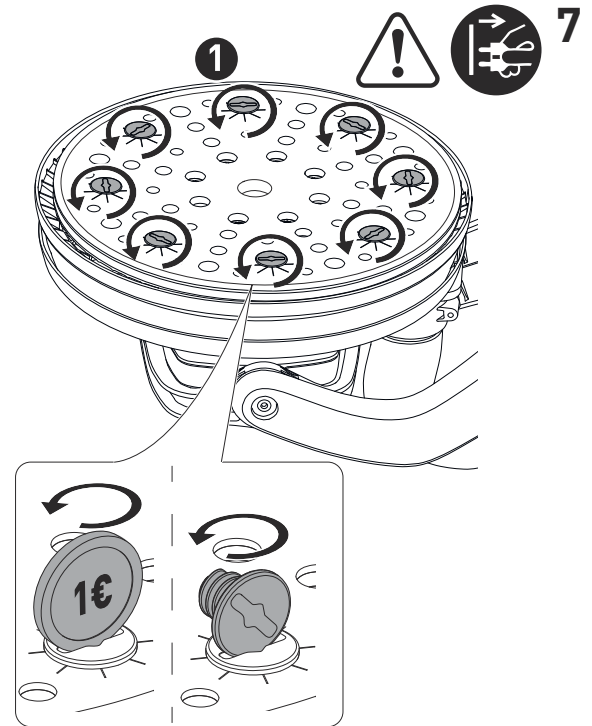
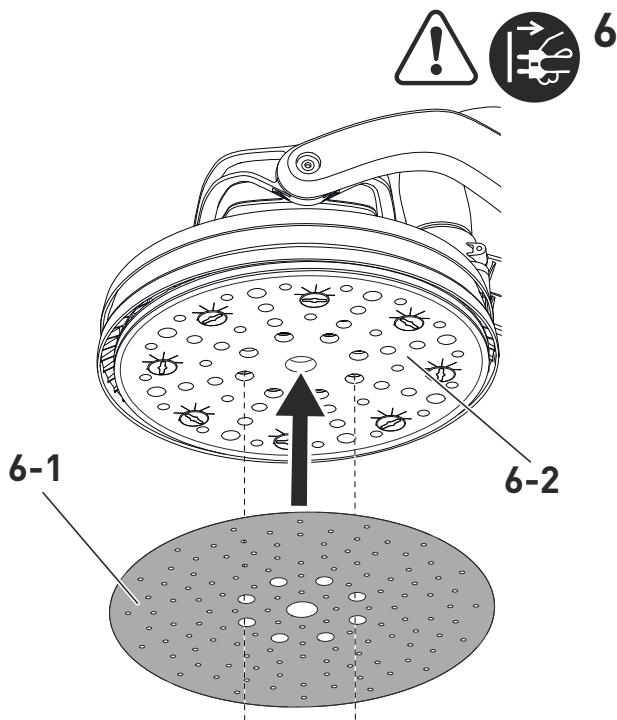
The power tool will switch off if the backing pad becomes jammed or if the motor becomes overloaded, see also Section 14.

8.2 Changing the abrasives [6]**CAUTION****Deteriorated suction power and increased dust exposure****Health hazard posed by dust**

- ▶ The hole pattern in the abrasive must be aligned with the holes in the interface pad.
- ▶ Only use recommended abrasives with the appropriate hole pattern.

Compatible StickFix abrasives are quick and easy to attach to the interface pad.

- ▶ Press the abrasive [6-1] onto the interface pad [6-2].



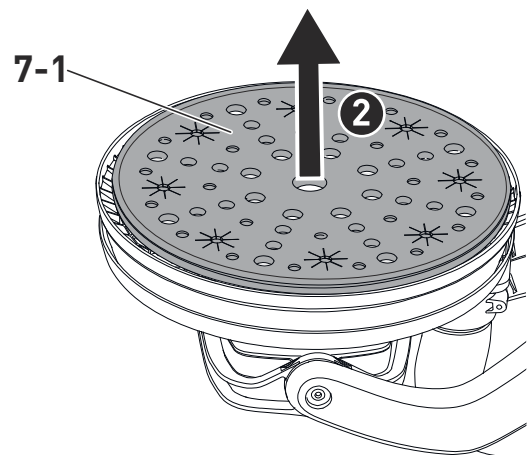
8.3 Changing the interface pad [7]



CAUTION

Decreasing StickFix coating adhesion Risk of injury from flying parts

- ▶ Check the StickFix coating on the interface pad and the abrasive regularly for wear.
- ▶ Replace interface pad/abrasive with worn StickFix coating.

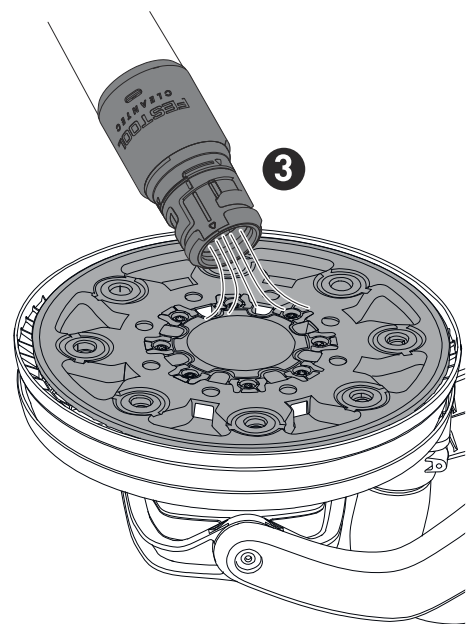


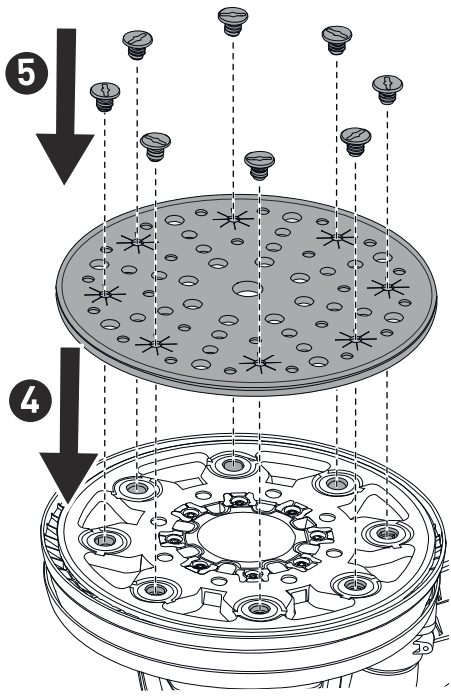
The interface pad is attached to the backing pad with eight screws.

- ▶ Remove the abrasive.
- ▶ **1** Loosen screws by turning the screwhead or a coin (e.g. a euro) anticlockwise.
- ▶ **2** Remove the interface pad [7-1].
- ▶ **3** Vacuum the backing pad and clean with a brush if necessary.
- ▶ **4** Place a new interface pad on the backing pad.
- ▶ **5** Insert all eight screws one after the other.

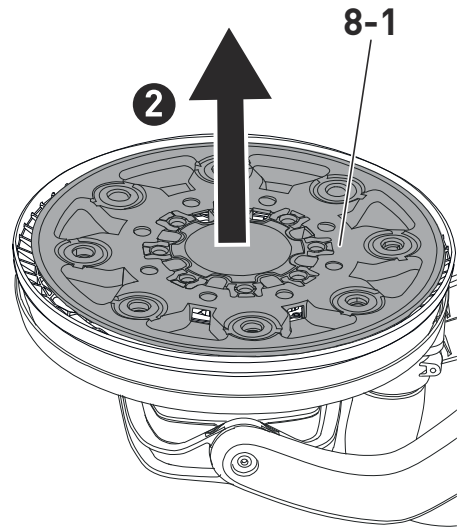
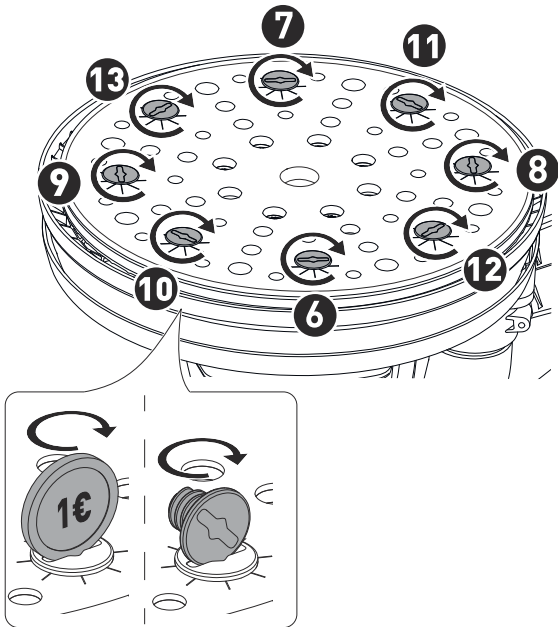
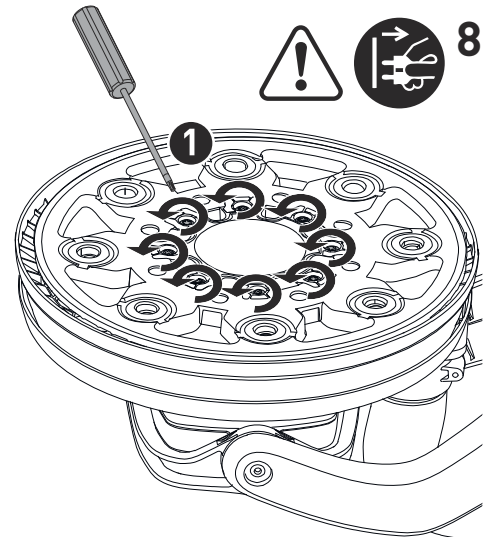
The interface pad is optimally aligned.

- ▶ **6** - **13** Tighten all screws clockwise in a crosswise sequence.





- ▶ ② Remove the backing pad [8-1] carefully by gently pulling it. Take care to ensure that no dirt enters the eccentric housing.
- ▶ ③ Extract dirt particles if necessary.
- ▶ ④ Place new backing pad so that the openings in the backing pad match with the screw threads.
- ▶ ⑤ Insert all eight screws one after the other.
- ▶ ⑥ – ⑬ Tighten all screws clockwise in a crosswise sequence and check that they are securely in place.



8.4 Replacing the backing pad [8]



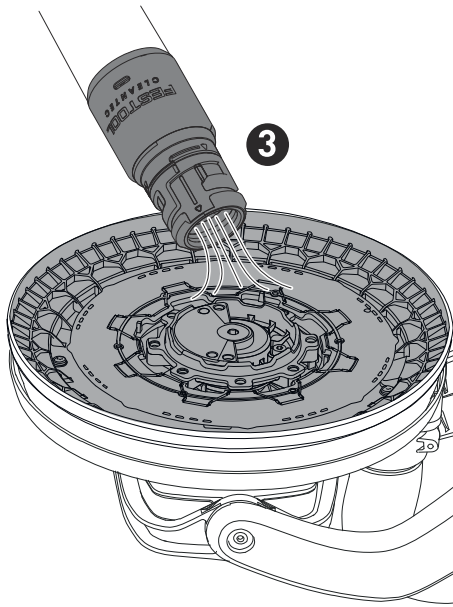
CAUTION

**Worn backing pad, backing pad revs up
Risk of injury from flying parts**


- ▶ Check backing pad regularly for wear.
- ▶ Change backing pads if necessary.

The backing pad is attached to the power tool with eight screws.

- ▶ To remove the abrasive and interface pad, see Sections 8.2 and 8.3.
- ▶ ① Loosen the screws by turning a suitable screwdriver anticlockwise.



- ▶ Set a low suction power.
- ▶ First, switch on the power tool and then place it on the sanding surface.
- ▶ Slowly increase the suction power until a noticeable application pressure is reached.

 The suction regulator **[1-15]** can be used to adjust the suction power according to the sanding surface.




Ceiling

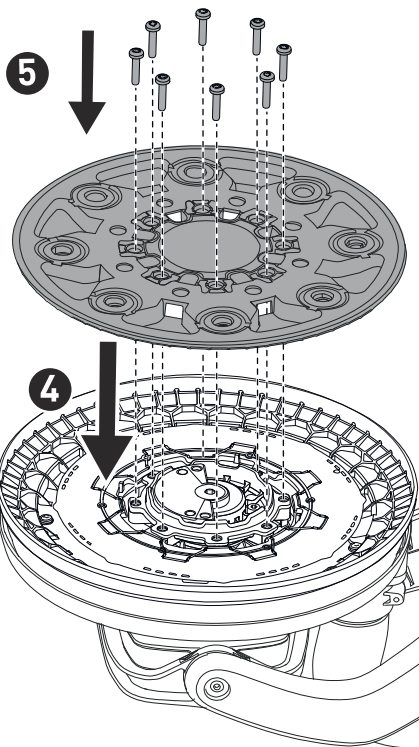
Maximum suction power



Wall

Minimum suction power

 If the suction power is set too high, this can lead to the power tool being overloaded, poor guidance or poor surface quality.



8.6 Dust extraction




WARNING

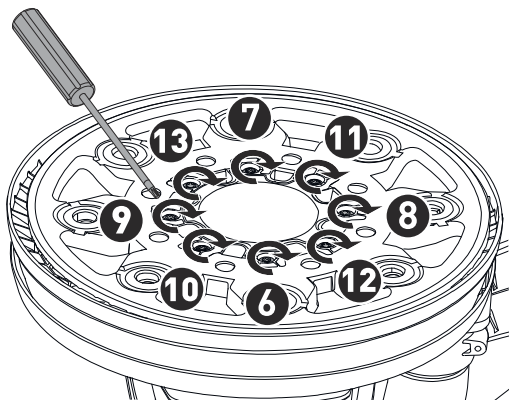
Health hazard posed by dust

- ▶ Always work with an extractor.
- ▶ Comply with national regulations.
- ▶ Wear a dust mask.

The power tool does not have its own extractor unit. A Festool mobile dust extractor with an extractor hose diameter of 1-7/16" (36 mm) or 1-1/16" (27 mm) should therefore be connected to the extractor connector **[1-11]** (1-7/16" (36 mm) recommended due to the reduced risk of clogging and higher suction power).

Recommendation: Use an antistatic extractor hose. This helps reduce the electric charge.

 Always use the Festool CTL/M 36 E AC-LHS or PLANEX mobile dust extractor for the long-reach sander, as they are perfectly designed for large quantities of dust and have a dedusting system.



8.7 Adjusting the surface control light

The surface control light button **[1-4]** can be used to switch the surface control light on and off even when the power tool is switched off. The surface control light switches off after one hour when the power tool is switched off.

Controlling the surface control light via the Festool Work app

If the power tool is connected to the Festool Work app via **Bluetooth®** (see Section 8.8), the surface control light can be configured.

8.5 Adjusting the suction power

The long-reach sander can adhere itself to the sanding surface, which helps you work more effortlessly.

8.8 Connecting a power tool via Bluetooth®

Connecting to the Festool Work app

The power tool can be configured with the Festool Work app.

- ▶ Press the Bluetooth® button [1-2] on the power tool for approximately three seconds until the LED display starts to flash blue.

For a period of 60 seconds, the power tool is ready for connection.

- ▶ Follow the instructions provided in the Festool Work app to authorise the secure connection.

(i) By pressing the Bluetooth® button, you can switch between the factory settings of the power tool and the configurations in the Festool Work app.

Connecting to the mobile dust extractor

- ▶ Activate the mobile dust extractor's automatic mode (see the operating manual for the mobile dust extractor).
- ▶ Press the connection button on the mobile dust extractor or on the remote control once (see the operating manual for the mobile dust extractor/retrofit receiver module).
- ▶ Switch on the power tool.

The mobile dust extractor starts up and the power tool is connected until the mobile dust extractor or the power tool is manually switched off. If another power tool is connected via Bluetooth® to the mobile dust extractor, the connection is also lost.

LED indicator [1-3]

LED indicator	Meaning
LED lights up green.	The configurations made in the Festool Work app are active, e.g. the surface control light has been dimmed.
LED flashes blue once.	After being switched on, the power tool searches for a mobile dust extractor ready for connection.
LEDs flash blue.	The power tool can be connected to a mobile device.
LED lights up blue.	The power tool can be connected via Bluetooth® to a mobile device or a mobile dust extractor.
LED flashes purple.	Software update mode active.

LED indicator	Meaning
LED flashes red.	The power tool has overheated. Further information can be found in the Festool Work app and in Section 14.
LED lights up red.	There is an electronic fault. Further information can be found in the Festool Work app. If the fault persists, contact an authorised customer service workshop.

9 Working with the electric power tool



WARNING

Risk of injury

- ▶ Always hold the power tool with both hands using the indicated gripping surfaces, see Section 9.2.
- ▶ Before switching on the power tool, make sure that all locking levers are completely closed.

9.1 Extension Cord

If an extension cord is required, it must have a sufficient cross-section to prevent an excessive drop in voltage or overheating. An excessive drop in voltage reduces the output and can lead to failure of the motor. The table below shows you the correct cord diameter as a function of the cord length for this tool.

Cord Size in A.W.G

Tool`s Ampere Rating	Cord Length in Feet			
	25	50	100	150
3-6	18	16	16	14
6-8	18	16	14	12
8-10	18	16	14	12
10-12	16	16	14	12
12-16	14	12	-	-

Wire Sizes in mm²

Tool`s Ampere Rating	Cord Length in Meters			
	15	30	60	120
3-6	0.75	0.75	1.5	2.5
6-8	0.75	1.0	2.5	4.0
8-10	0.75	1.0	2.5	4.0

Tool's Ampere Rating	Cord Length in Meters			
10-12	1.0	2.5	4.0	-
12-16	-	-	-	-

Use only NRTL listed extension cords.

Never use two extension cords together. Instead, use one long one.

- ⓘ The lower the AWG number, the stronger the cord.

9.2 Holding the power tool correctly

Type of installation	Gripping surface
Handle + sanding head	Hold the handle [1-8] or T-handle [1-6] with one hand and the sanding head pipe [1-16] with the other hand.
Handle + extension tube + sanding head	Hold the handle [1-8] or T-handle [1-6] with one hand and the extension tube [1-14] with the other hand.
Handle + 2 extension tubes + sanding head	Hold the handle [1-8] or T-handle [1-6] with one hand and the first extension tube after the handle [1-1] with the other hand.

9.3 Sanding

- ▶ To switch on the power tool, see Section 7.3.
- ▶ Place the sanding head parallel to the sanding surface.
- ▶ Perform the sanding work.

If the power tool beeps three times, there is a fault. For troubleshooting, see Section 14.

- ⓘ The restart protection prevents the machine from starting automatically after the power supply is interrupted (e.g. after a power failure). After a voltage interruption, switch the power tool on again.
- ⓘ Do not apply too much pressure on the power tool as this will cause it to overload. The best sanding result is achieved by the correctly set suction power without additional pressure on the power tool. The sanding performance and quality are mainly dependent on the selection of the correct abrasive.

9.4 Ceiling work



WARNING

If the suction is interrupted, there is a risk of injury from the power tool falling and loss of control

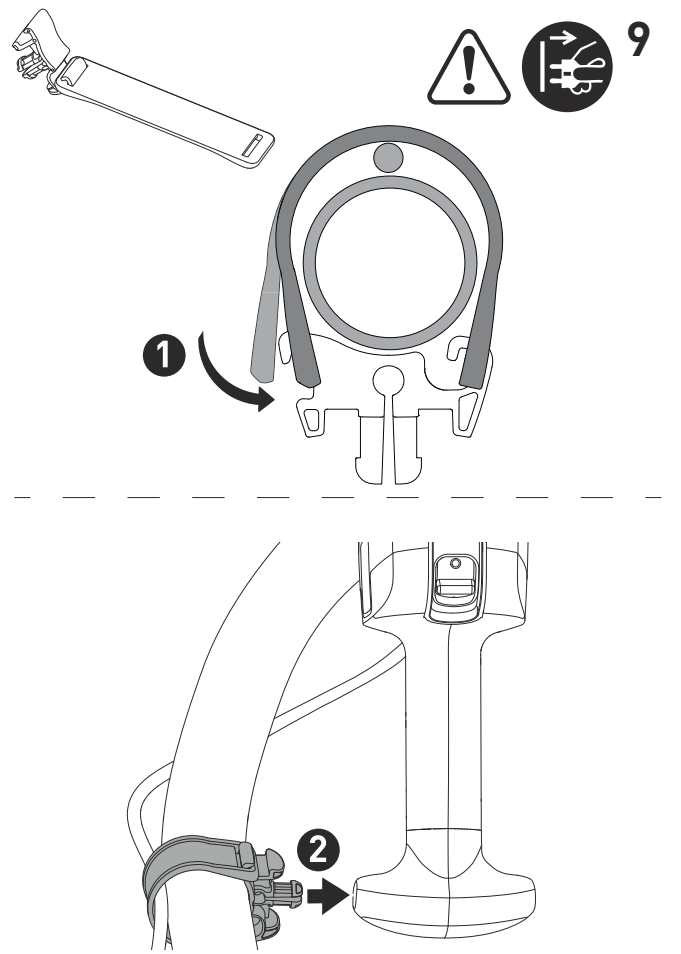
- ▶ Always hold the power tool with both hands using the indicated gripping surfaces, see Section 9.2.

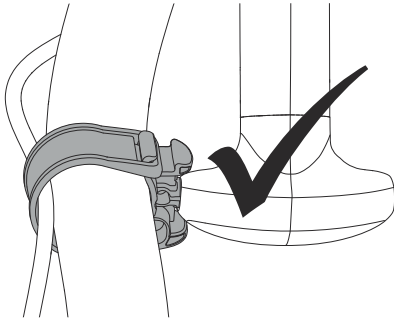
Attaching the hose clip [9]

When working on the ceiling, the hose clip prevents you from having to hold the hanging plug-it mains power cable and suction hose in your hand, and also ensures that you have unrestricted freedom of movement.

- ▶ Pull out the mains plug.
- ▶ ① Attach the hose clip to the extractor hose and the plug-it mains power cable.
- ▶ ② Hook the hose clip to the right or left side of the T-handle.

- ⓘ If the hose clip is installed, it can be hooked into or unhooked from the T-handle depending on whether work is being carried out on the ceiling or on the wall.



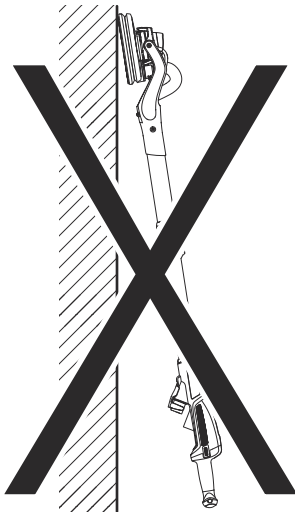


9.5 After finishing work

NOTICE

Damage and contamination of the power tool

- ▶ Do not set down the power tool on the backing pad [1-18] or T-handle [1-6] - [10].
- ▶ Always place the power tool on its side or use the PLANEX tool holder on the mobile dust extractor.
- ▶ Once you have finished the sanding work, switch off the power tool and set it down.



10

10 Service and maintenance



WARNING

Any maintenance or repair work that requires opening of the motor or gear housing should only be carried out by an authorised Customer Service Centre (name supplied by your dealer)!

- ▶ Maintenance or repair work carried out by an unauthorised person can lead to the wrong connection of the power cord or other components, which in turn can lead to accidents with serious consequences.



WARNING

To prevent accidents, always remove the plug from the power supply socket before carrying out any changes or maintenance work on the tool!

- ▶ Do not use compressed air to clean the electrical tool! Do not try to clean parts inside the tool in this way, as you could let foreign objects in through the openings of the tool housing.



CAUTION

Certain cleaning agents and solvents are harmful to plastic parts.

- ▶ Some of these include, but are not limited to: Gasoline, Acetone, Methyl Ethyl Ketone (MEK), Carbonyl Chloride, cleaning solutions containing Chlorine, Ammonia, and household cleaners containing Ammonia.



Customer service and repairs must only be carried out by the manufacturer or service workshops. Find the nearest address at:
www.festoolusa.com/service



Always use original Festool spare parts. Order no. at:
www.festoolusa.com/service

Check all warnings on the electric power tool for readability and completeness. Replace missing or illegible warnings.

- Always state the serial number on the name plate of the handle [1-1] when having the tool serviced and repaired.
- Check the plug and cable on a regular basis and, if they are damaged, have them replaced by an authorised customer service workshop.
- Do not clean the power tool with compressed air.
- To ensure constant air circulation, always keep the cooling air openings in the motor housing clean and free of blockages.
- Vacuum the backing pad regularly.
- Keep all parts of the tool clean, especially the controls and housing openings, and clean them regularly with a brush.

10.1 Backing pad brake

The backing pad brake brushes off the backing pad and prevents uncontrolled turning of the

backing pad. The backing pad brake is almost wear-free thanks to the pins used.

In the case of a decreasing braking effect, first check the backing pad for wear and replace it if necessary, see Section 8.4.

If the backing pad brake is damaged, it must be replaced by an authorised service workshop.

11 Accessories

Use only original Festool accessories and Festool consumable material intended for this machine. These components are designed specifically for this machine. Using accessories and consumable material from other suppliers will most likely affect the quality of your results and limit warranty claims. Machine wear or your own personal workload may increase depending on the application. Protect yourself and your machine, and preserve your warranty claims by always using original Festool accessories and Festool consumable material!


The order numbers of the accessories and tools can be found in the Festool catalogue or on the Internet under "www.festoolusa.com".

11.1 SYSTAINER


Systainer

Many Festool products are shipped in a unique system container, called "Systainer". This provides protection and storage for the tool and accessories. The Systainers are stackable and can be interlocked together. They also can be interlocked atop Festool CT dust extractors.

To open the Systainer


 Turn the T-loc **[SYS-b-1]** to this position.

To lock the Systainer


 Turn the T-loc **[SYS-b-1]** to this position.

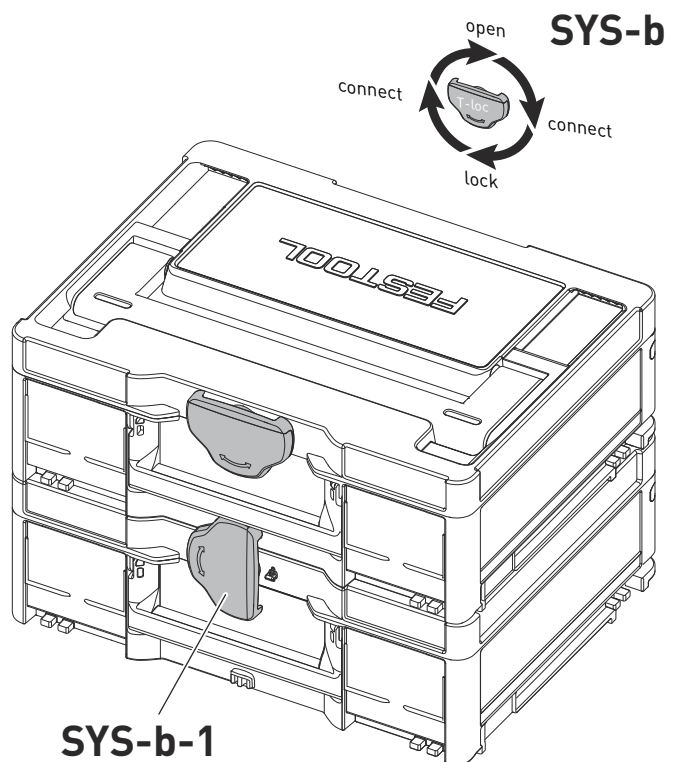
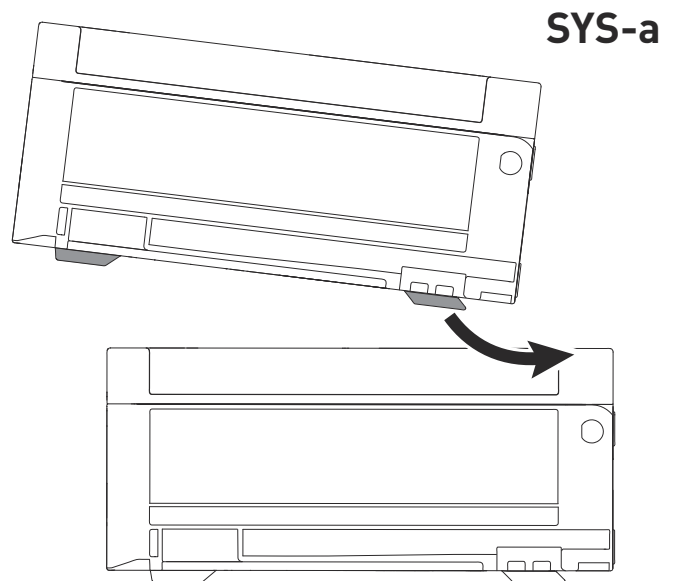
To connect two Systainers

Place one Systainer on the top of the other (Fig. **[SYS-a]**).

 Turn the T-loc **[SYS-b-1]** to one of this positions (Fig. **[SYS-b]**).

The Systainers are connected and locked.

-  A Systainer Classic Line can be connected to a Systainer T-Loc or to a Systainer³ from below via its four locking devices. A Systainer T-Loc can be connected to a Systainer³ both from below and from above.



12 Environment

There is a Li-ion button cell behind the Bluetooth® button **[1-2]** on the handle **[1-1]**.

Before disposal

Qualified specialist only: Remove the Li-ion button cell from the tool. To do so, unscrew the housing components and remove the Li-ion button cell.

Do not dispose of the device as domestic waste! Dispose of machines, accessories and packaging at an environmentally responsible recycling centre. Observe the respective national regulations.

Battery Disposal



WARNING

Risk of fire or injury

- ▶ Do not attempt to disassemble the battery or remove any component projecting from the battery terminals.
- ▶ Prior to disposal, protect exposed terminals with adhesive tape to prevent short-circuiting.

Used or faulty batteries must only be returned to collection points if discharged and secured against short-circuiting (e.g. by insulating the terminals with adhesive tape). The applicable regulations must be observed.

Batteries will then be recycled.

13 General information

13.1 Information on data privacy

The power tool contains a chip which automatically stores machine and operating data. The data saved cannot be traced back directly to an individual.

The data can be read in a contactless manner using special devices and shall only be used by Festool for fault diagnosis, repair and warranty processing and for quality improvement or enhancement of the power tool. The data shall not be used in any other way without the express consent of the customer.

13.2 Information about Bluetooth®

The tool can be connected via Bluetooth® to a mobile device or a mobile dust extractor. As soon as the tool is connected to the Festool Work app via Bluetooth® and the secure connection has been authorised, the tool will connect automatically to the Festool Work app from this point onwards. The tool then regularly sends status information (ID, operating status, etc.) via Bluetooth®.

The Bluetooth® word mark and the logos are registered trademarks of Bluetooth SIG, Inc.; they are used by TTS Tooltechnic Systems AG & Co. KG, and therefore by Festool, under licence.

13.3 Federal Communications Commission (FCC) Interference Statement

NOTE: This equipment has been tested and found to comply with the limits for a Class B digital device, pursuant to part 15 of the **FCC Rules**. These limits are designed to provide reasonable protection against harmful interference in a residential installation. This equipment generates, uses and can radiate radio frequency energy and, if not installed and used in accordance with the instructions, may cause harmful interference to radio communications. However, there is no guarantee that interference will not occur in a particular installation. If this equipment does cause harmful interference to radio or television reception, which can be determined by turning the equipment off and on, the user is encouraged to try to correct the interference by one or more of the following measures:

- Reorient or relocate the receiving antenna.
- Increase the separation between the equipment and receiver.
- Connect the equipment into an outlet on a circuit different from that to which the receiver is connected.
- Consult the dealer or an experienced radio/TV technician for help.

NOTE: Any changes or modifications not expressly approved by the party responsible for compliance could void the user's authority to operate the equipment.

13.4 RSS Compliance Statement

This device complies with Industry Canada's licence-exempt RSSs. Operation is subject to the following two conditions:

- (1) This device may not cause interference; and
- (2) This device must accept any interference, including interference that may cause undesired operation of the device. This device has been designed and complies with the safety requirement for RF exposure in accordance with RSS-102, issue 5 for portable conditions.

13.5 Notes (ISED)

This Class B digital apparatus complies with Canadian ICES-003 and RSS-210. Operation is subject to the following two conditions:

- (1) this device may not cause interference
- (2) this device must accept any interference, including interference that may cause undesired operation of the device.

13.6 Radio frequency (RF) Exposure Information

The radiated output power of the Wireless Device is below the Innovation, Science and Economic Development (ISED) radio frequency ex-

posure limits. The Wireless Device should be used in such a manner such that the potential for human contact during normal operation is minimized.

14 Troubleshooting

Problem	Possible causes	Remedy
Power tool bumps/does not run smoothly over the surface.	Suction power is set incorrectly.	Adjust the suction power until the cause has been rectified, see Section 8.5 .
	Interface pad is damaged or deformed.	Replace the interface pad, see Section 8.3 .
	Speed is set incorrectly.	Increase the speed.
Power tool does not stop at ceiling.	Suction power is set incorrectly.	Increase the suction power, see Section 8.5 .
	Grit on abrasive is too coarse.	Select a finer grit, e.g. P240, P320.
	Extraction power is insufficient.	See measures in the section entitled "Extraction power ... is insufficient."
Excessive material removed from workpiece.	Suction power of the power tool is too strong.	Reduce the suction power until the cause has been rectified, see Section 8.5 .
	Grit on abrasive is too coarse.	Select a finer grit, e.g. P240, P320.
	Speed of the power tool is too high.	Reduce the speed, see Section 8.1 .
	Spackling paste with a high percentage of filler/soft filler.	Reduce the speed, see Section 8.1 .
Surface quality is not optimal.	Incorrect abrasive grit.	Select a finer grit, e.g. P240, P320.
	Drying times of the spackling paste not observed.	Read the technical data sheets and manufacturer's recommendations.
	Suction power of the power tool is set incorrectly.	Adjust the suction power until the cause has been rectified, see Section 8.5 .
	Spackling paste with a high percentage of filler/soft filler.	Select a finer grit, e.g. P240, P320.
Scratch marks on the surface.	Backing pad is placed down on the surface at an angle.	Place the backing pad parallel to the surface.
	Backing pad brake is worn.	Have the backing pad brake replaced by an authorised customer service workshop.
Extraction power of the power tool is insufficient.	Holes in the interface pad or backing pad are clogged.	Vacuum the interface pad, backing pad and extraction channels.
	Incorrect abrasive.	Always use original Festool abrasives with the matching hole pattern.
	Abrasive hole pattern does not match the interface pad hole pattern.	Apply abrasive correctly, see Section 8.2 .

Problem	Possible causes	Remedy
Extraction power of the mobile dust extractor is insufficient.	Filter element on the CTL/M 36 E AC-LHS or PLANEX is blocked/clogged.	Clean the filter element regularly: <ul style="list-style-type: none"> - Use the mobile dust extractor's dedusting function (see the operating manual for the mobile dust extractor). - Manually clean the filter element (dust extraction). - Check the filter element for damage and clogging. Use a new filter element regularly.
	Disposal bag inserted incorrectly.	The holes punched in the disposal bag must be inside the container.
	Filter bag used instead of disposal bag.	Only work with the disposal bag.
	The extraction power of the CTL/M 36 E AC-LHS or PLANEX is set too low.	Adjust the suction power to a higher setting.
	Suction hose is blocked or kinked.	Remove the blockage and straighten the hose.
Speed drops significantly, power tool switches off, beeps three times and LED flashes red.	Disposal bag is full.	Replace the disposal bag.
	Power tool switches on overheating protection.	Switch off the power tool and allow it to cool down. Switch on again and allow it to continue cooling down in no-load mode. Then: <ul style="list-style-type: none"> - Reduce the suction power until the cause has been rectified. - Apply less pressure. - Switch it off and clean the housing openings.
After being switched on, the power tool is unstable when starting up, may switch off and may beep three times.	Power tool placed on the surface and only then switched on.	Switch on the power tool before placing it on the surface.
The power tool does not function. The power tool may beep three times and the LED lights up red.	Restart protection activated.	Interruption to the power supply, e.g. due to power failure or pulling out the mains plug. Switch the power tool off and on again.
	Plug-it mains power cable is not connected correctly.	Check whether the bayonet fitting on the plug-it mains power cable is completely closed and locked.
	Overload protection	Apply less pressure on the power tool, remove the backing pad blockage or reduce the suction power.
	Other causes	Read the tool status with the Festool Work app (see Section 8.8) and follow the app's recommendations.
The LED flashes purple and the Bluetooth® functions of the power tool are not available.	Software update is interrupted or software update has failed.	Restart software update with the Festool Work app.

Problem	Possible causes	Remedy
The surface control light does not switch on when the power tool is started and the LED may light up green.	Surface control light auto-start function is deactivated in the Festool Work app.	To switch to factory settings, see Section 8.8 or see the Festool Work app.
	The surface control light is faulty.	Have the surface control light replaced by an authorised customer service workshop.

If problems other than those listed occur, please contact a Festool service workshop or local specialist dealer, see Section 10 .




Sommaire

1	À propos de ce manuel.....	24
2	Symboles.....	24
3	Consignes de sécurité.....	25
4	Utilisation conforme.....	28
5	Caractéristiques techniques.....	29
6	Éléments de l'appareil.....	29
7	Mise en service.....	29
8	Réglages.....	31
9	Utilisation de l'outil électroportatif.....	36
10	Maintenance et entretien.....	37
11	Accessoires.....	38
12	Environnement.....	39
13	Remarques générales.....	39
14	Dépannage.....	40






1 À propos de ce manuel









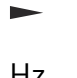
Conservez ces instructions

Il est important pour vous de lire et de comprendre ce manuel. Les informations qu'il contient, se rapporte à la protection **de votre sécurité** et **de prévention des problèmes**. Les symboles suivants sont utilisés pour vous aider à reconnaître cette information.

	DANGER	Description du risque imminent et l'incapacité à éviter tout risque qui peut entraîner la mort.
	AVERTISSEMENT	Description des dangers possibles et des blessures qui en résultent ou la mort.
	ATTENTION	Description des dangers et des éventuelles blessures qui en résultent.
	AVIS	Description des dommages potentiels sur l'appareil ou dans son environnement.

2 Symboles

	Avertit d'un danger général
	Avertit d'un risque de décharge électrique
	Lire le mode d'emploi et les consignes de sécurité !
	Porter une protection auditive !
	Porter une protection respiratoire !

	Porter des lunettes de protection !
	Débrancher la fiche secteur
	Brancher le câble de raccordement secteur
	Débrancher le câble de raccordement secteur
	ATTENTION ! Ne regardez jamais dans l'axe du faisceau lumineux !
	Classe de protection II
	L'outil contient une puce permettant l'enregistrement des données. Voir chapitre 13.1
	Conseil, information
	Instruction
Hz	Hertz
W	watt
V	Volt
~	Tension alternative
a.c.	
n_0	Vitesse de rotation à vide
rpm	
min^{-1}	
tr/mi	Tours ou course par minute
n	
lb.	livre
kg	kilogramme
\varnothing	Diamètre
mm	millimètre
m	mètre
"	pouce

3 Consignes de sécurité

3.1 Consignes générales de sécurité pour outils électroportatifs



AVERTISSEMENT ! Veuillez lire toutes les consignes de sécurité, instructions, illustrations et caractéristiques techniques qui accompagnent le présent outil électroportatif.

Des négligences relatives aux instructions suivantes peuvent occasionner un choc électrique, un incendie et/ou des blessures graves.

Conserver l'ensemble des consignes de sécurité et des instructions afin de pouvoir les consulter ultérieurement.

Le terme « outil électroportatif » utilisé dans les consignes de sécurité se rapporte aux outils électroportatifs fonctionnant sur secteur (avec câble) et aux outils électroportatifs fonctionnant sur batterie (sans câble).

1 SÉCURITÉ DU POSTE DE TRAVAIL

- Veillez à ce que la zone de travail soit propre et bien éclairée.** Un poste de travail en désordre ou mal éclairé peut entraîner des accidents.
- Ne vous servez pas de l'outil électroportatif dans un environnement où il y a un risque d'explosion dû à la présence de liquides inflammables, de gaz ou de poussières.** Les outils électroportatifs peuvent générer des étincelles susceptibles d'enflammer la poussière ou les vapeurs.
- Éloignez les enfants et d'autres personnes pendant l'utilisation de l'outil électroportatif.** Si vous êtes distrait, vous pouvez perdre le contrôle de l'outil électroportatif.

2 SÉCURITÉ ÉLECTRIQUE

- Le connecteur de l'outil électroportatif doit correspondre à la prise électrique. Le connecteur ne doit être modifié d'aucune façon. N'utilisez pas d'adaptateur avec des outils électroportatifs mis à la terre.** Des connecteurs intacts et des prises correspondantes diminuent le risque d'un choc électrique.
- Évitez tout contact avec des surfaces mises à la terre telles que des tuyaux, chauffages, cuisinières et réfrigérateurs.** Un risque élevé de choc électrique existe si votre corps est relié à la terre.
- Protégez les outils électroportatifs de la pluie et de l'humidité.** L'infiltration d'eau dans un outil électroportatif augmente le risque de choc électrique.

- Ne détournez pas l'utilisation du câble de raccordement pour porter l'outil électroportatif, l'accrocher ou pour tirer le connecteur de la prise. Éloignez le câble de la chaleur, de l'huile, de bords tranchants ou de pièces en mouvement.** Des câbles de raccordement endommagés ou enchevêtrés augmentent le risque de choc électrique.
- Si vous travaillez avec un outil électroportatif à l'extérieur, utilisez uniquement des rallonges prévues pour l'extérieur.** L'utilisation d'un câble prévu pour l'extérieur diminue le risque d'un choc électrique.
- Utilisez un disjoncteur à courant de défaut quand le fonctionnement de l'outil électroportatif en environnement humide ne peut pas être évité.** L'utilisation d'un disjoncteur à courant de défaut diminue le risque d'un choc électrique.

3 SÉCURITÉ DES PERSONNES

- Soyez attentif à ce que vous faites, faites preuve de bon sens lorsque vous travaillez avec l'outil électroportatif. N'utilisez pas l'outil électroportatif si vous êtes fatigué ou si vous êtes sous l'influence de drogues, de l'alcool ou de médicaments.** Un moment d'inattention lors de l'utilisation de l'outil électroportatif peut entraîner des blessures graves.
- Portez un équipement de protection individuelle et des lunettes de protection en permanence.** Le port d'un équipement de protection individuelle tel que masque contre la poussière, chaussures de sécurité antidérapantes, casque ou protection auditive, en fonction du type et de l'utilisation de l'outil électroportatif, diminue le risque de blessures.
- Évitez toute mise en service involontaire. Assurez-vous que l'outil électroportatif est déconnecté avant de le raccorder à l'alimentation électrique et/ou à la batterie, avant de le soulever ou de le porter.** Si, en portant l'outil électroportatif, vous avez le doigt sur l'interrupteur ou si vous raccordez l'outil électroportatif connecté à l'alimentation électrique, cela peut entraîner des accidents.
- Retirez les outils de réglage ou les clés anglaises avant de connecter l'outil électroportatif.** Un outil ou une clé qui se trouve dans une partie de l'outil électroportatif en rotation peut entraîner des blessures.

- e. **Évitez toute position de travail anormale. Veillez à maintenir une position stable et un bon équilibre à tout moment.** Vous pourrez ainsi à tout moment contrôler l'outil électroportatif dans des situations inattendues.
- f. **Portez des vêtements adaptés. Ne portez pas de vêtements amples ou de bijoux. Éloignez vos cheveux et vos vêtements des pièces en mouvement.** Des vêtements amples, des bijoux ou des cheveux longs pourraient se prendre dans les pièces en mouvement.
- g. **Si des dispositifs d'aspiration et de récupération des poussières peuvent être montés, raccordez-les et utilisez-les correctement.** L'utilisation d'une aspiration des poussières peut diminuer les dangers dus aux poussières.
- h. **Ne vous croyez pas faussement en sécurité et n'enfreignez pas les règles de sécurité destinées aux outils électroportatifs, même si vous maîtrisez l'outil électroportatif après de multiples utilisations.** Un manque d'attention peut en un quart de seconde entraîner de graves blessures.

4 UTILISATION ET TRAITEMENT DE L'OUTIL ÉLECTROPORTATIF

- a. **Ne surchargez pas l'outil électroportatif. Utilisez l'outil électroportatif destiné à votre travail.** L'outil électroportatif adapté vous permet de travailler mieux et avec plus de sécurité dans la plage de puissance indiquée.
- b. **N'utilisez aucun outil électroportatif dont l'interrupteur serait défectueux.** Un outil électroportatif qui ne peut plus être mis en marche ou arrêté est dangereux et doit être réparé.
- c. **Débranchez le connecteur de la prise de courant et/ou retirez une batterie amovible avant d'effectuer des réglages sur l'appareil, de remplacer des pièces d'outil ou de déposer l'outil électroportatif.** Cette mesure de précaution empêche un démarrage involontaire de l'outil électroportatif.
- d. **Rangez toujours les outils électroportatifs inutilisés hors de portée des enfants. Ne laissez aucune personne à laquelle vous ne faites pas confiance ou qui n'a pas lu ces consignes se servir de l'outil électroportatif.** Les outils électroportatifs sont dangereux lorsqu'ils sont utilisés par des personnes inexpérimentées.

- e. **Prenez soin de vos outils électroportatifs et outils. Vérifiez que les parties mobiles fonctionnent sans problème, qu'elles ne coincent pas et qu'il n'y a pas de parties cassées ou endommagées qui pourraient entraver le bon fonctionnement de l'outil électroportatif. Faites réparer les parties endommagées avant d'utiliser l'outil électroportatif.** De nombreux accidents sont dus à un mauvais entretien des outils électroportatifs.
- f. **Maintenez les outils de coupe affûtés et propres.** Des outils de coupe entretenus avec soin dotés de bords de coupe affûtés se coincent moins et sont plus faciles à utiliser.
- g. **Utilisez l'outil électroportatif, les outils, etc. en respectant ces instructions. Tenez compte des conditions de travail et de la tâche à effectuer.** L'utilisation des outils électroportatifs pour d'autres applications que celles prévues peut entraîner des situations dangereuses.
- h. **Veillez à ce que les poignées et surfaces des poignées soient sèches, propres et exemptes d'huile ou de graisse.** Des poignées et surfaces de poignées glissantes ne permettent pas une utilisation en toute sécurité ni un contrôle de l'outil électroportatif dans des situations imprévues.


5 SERVICE

- a. **Faites réparer votre outil électroportatif uniquement par un personnel qualifié ; les réparations doivent être uniquement effectuées avec des pièces détachées d'origine,** afin de garantir la fiabilité de l'outil électroportatif.
- b. **Pour la réparation et l'entretien, n'utilisez que des pièces d'origine.** L'utilisation d'accessoires ou de pièces détachées non adaptés risque de provoquer une électrocution ou des blessures.

3.2 Consignes de sécurité spécifiques à l'appareil

- **Le présent outil électroportatif doit être utilisé comme une ponceuse avec abrasif. Veuillez lire l'ensemble des consignes de sécurité, instructions, représentations et données fournies avec la machine.** Le non-respect de toutes les consignes suivantes peut aboutir à un choc électrique, à un incendie et/ou à des blessures graves.
- **Utilisez uniquement les outils d'usinage spécialement prévus pour cet outil élec-**

- troportatif et recommandés par le fabricant.** Le simple fait de pouvoir fixer l'accessoire sur votre outil électroportatif ne garantit pas une utilisation sûre.
- **Le diamètre extérieur et l'épaisseur de l'outil d'usinage doivent correspondre aux dimensions indiquées pour votre outil électroportatif.** Si les accessoires ne présentent pas les dimensions appropriées, il est impossible de garantir une protection et un contrôle suffisants.
 - **N'utilisez pas d'outils amovibles endommagés. Avant chaque utilisation, vérifiez que les accessoires tels que les abrasifs ne sont ni écaillés ni fissurés et que les plateaux ne ponçage ne sont pas fissurés, usés ou fortement détériorés. En cas de chute de l'outil électroportatif ou de l'outil amovible, vérifiez qu'il n'est pas endommagé ou utilisez un outil amovible en parfait état.**
 - **Portez un équipement de protection individuelle. Selon l'utilisation, munissez-vous d'un masque intégral, d'une protection oculaire ou de lunettes de protection. Si nécessaire, portez un masque contre la poussière, une protection auditive, des gants de protection ou un tablier spécial qui vous protègent des particules abrasives et particules de matériau de petite taille.** Protégez vos yeux des projections de corps étrangers survenant lors de différentes opérations d'usinage. Le masque respiratoire ou de protection contre la poussière doit filtrer la poussière générée pendant l'utilisation. Si vous êtes exposé longtemps à un niveau sonore élevé, vous pouvez subir une perte auditive.
 - **Si d'autres personnes sont présentes, veillez à ce qu'elles se tiennent suffisamment loin de votre zone de travail. Toute personne qui pénètre dans la zone de travail doit porter un équipement de protection individuelle.** Des éclats de pièce ou des fragments d'outil d'usinage peuvent être projetés et provoquer des blessures, y compris en dehors de la zone de travail directe.
 - **Tenez l'outil électroportatif par les parties isolées car la surface de ponçage peut entrer en contact avec le câble de raccordement.** Le dommage d'un câble sous tension peut également mettre des pièces métalliques de l'appareil sous tension et provoquer une décharge électrique.
 - **Maintenez le câble secteur à l'écart des accessoires en rotation.** Si vous perdez le contrôle de l'outil, le câble secteur peut être sectionné ou happé et votre main ou votre bras risque de toucher l'accessoire en rotation.
 - **Ne posez jamais l'outil électroportatif avant que l'outil d'usinage ne soit complètement immobilisé.** L'outil d'usinage en rotation peut entrer en contact avec la surface de dépose, ce qui risque de vous faire perdre le contrôle de l'outil électroportatif.
 - **Ne faites pas fonctionner l'outil électroportatif pendant que vous le transportez.** En cas de contact accidentel, vos vêtements pourraient être happés par l'outil d'usinage en rotation, lequel pourrait s'enfoncer dans votre corps.
 - **Nettoyez régulièrement les fentes d'aération de votre outil électroportatif.** Le ventilateur du moteur attire la poussière dans le carter, et une forte accumulation de poussière métallique peut engendrer des risques électriques.
 - **N'utilisez pas d'accessoires qui nécessitent un liquide pour leur refroidissement.** L'utilisation d'eau ou d'autres liquides de refroidissement peut provoquer une décharge électrique.
- ### 3.3 Autres consignes de sécurité
-
- **Un dégagement de poussières nocives/toxiques est possible pendant l'utilisation de l'appareil (par ex. poussières de peintures au plomb ou de certaines essences de bois).** Le contact avec ces poussières ou leur inhalation peut présenter un danger pour la santé de l'utilisateur ou des personnes se trouvant à proximité. Veuillez respecter les prescriptions de sécurité en vigueur dans votre pays. Raccordez l'outil électroportatif à un dispositif d'aspiration approprié.
 - **Pour protéger votre santé, portez un masque de protection respiratoire de catégorie P2 au moins. Assurer une ventilation suffisante dans les pièces fermées.**
 - **Utilisez un disjoncteur à courant de défaut (FI) ou un transformateur de séparation quand le fonctionnement de l'outil électroportatif en environnement humide ne peut pas être évité.** Le disjoncteur à courant de défaut (FI) / transformateur de séparation vous protège de tout risque d'électrocution en cas de choc électrique.

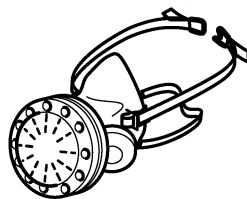
- Si le ponçage génère des poussières explosives ou inflammables, il convient impérativement d'observer les consignes d'usage du fabricant du matériau.
- **Attention, risque d'incendie ! Évitez toute surchauffe du matériau à poncer et de la ponceuse. Videz toujours le collecteur de poussière avant de faire une pause.** Dans des conditions défavorables, par ex. en cas de projection d'étincelles, la poussière de ponçage contenue dans le sac filtre ou le filtre de l'aspirateur peut s'enflammer d'elle-même pendant le ponçage. Ce risque est particulièrement élevé lorsque la poussière de ponçage est mélangée à des résidus de laque, de polyuréthane ou d'autres substances chimiques et que le matériau à poncer a chauffé après utilisation de l'appareil pendant une durée prolongée.
- **L'usinage du métal et de matières contenant de l'amiante est formellement interdit.** Pendant l'usinage, les métaux peuvent provoquer une projection d'étincelles dans le sac à poussière. Ceci augmente le risque d'incendie.
- **Tenez fermement l'outil électroportatif avec les deux mains lors des travaux, et veillez à une bonne position stable des pieds.** L'outil électroportatif est guidé de manière sûre avec deux mains, voir chapitre 9.2.
-  **Avertissement : rayonnement lumineux nocif. Ne regardez pas longtemps le faisceau lumineux. Ne dirigez pas le faisceau lumineux sur d'autres personnes ou des animaux.** Le rayonnement optique peut provoquer des lésions oculaires.
- **Utilisez toujours un tuyau d'aspiration antistatique (AS) avec l'outil électroportatif.** Une simple décharge électrique peut vous faire peur un court instant et vous déconcentrer, et risque ainsi de provoquer un accident.
- **Utiliser uniquement des plateaux de ponçage Festool d'origine.** Des plateaux d'autres marques pourraient se casser.

3.4 La poussière, un risque pour la santé



AVERTISSEMENT! certaines poussières créées par le ponçage mécanique, le sciage, le meulage, le perçage et autres activités reliées à la construction contiennent des substances chimiques connues (dans l'État de la Californie) comme pouvant causer le cancer, des anomalies congénitales ou représenter d'autres dangers pour la reproduction. Voici quelques exemples de telles substances:

- plomb provenant de peintures à base de plomb,
- silice cristallisée utilisée dans les briques, le ciment et autres matériaux de maçonnerie, et
- arsenic et chrome du bois d'oeuvre traité avec un produit chimique.



Le risque d'exposition à de tels produits varie selon la fréquence à laquelle vous faites ce genre de travail. Pour réduire les risques d'exposition à ces substances chimiques : travaillez dans un endroit adéquatement ventilé et utilisez un équipement de sécurité approuvé, tel que masques antipoussières spécialement conçus pour filtrer les particules microscopiques.



AVERTISSEMENT

POUR RÉDUIRE LE RISQUE DE DOMMAGES, L'UTILISATEUR DOIT LIRE LE MANUEL D'INSTRUCTION.

4 Utilisation conforme

La ponceuse à bras est conçue de façon conforme aux prescriptions pour le ponçage de murs de construction sèche spatulés, de plafonds et de murs à l'intérieur, ainsi que pour l'élimination de restes de papiers peints et de couches de peinture à l'intérieur.

Deux rallonges au maximum peuvent être utilisées.

La ponceuse à bras **ne convient pas** pour le ponçage humide et pour le travail avec de l'huile et des produits de polissage.

Ne convient pas pour le fonctionnement industriel en continu.



L'utilisateur est responsable des dommages provoqués par une utilisation non conforme.

5 Caractéristiques techniques

Ponceuse autoportée à rallonges	LHS 2 225 EQI
Puissance	400 W
Régime (à vide)	5000 - 8500 min ⁻¹
Course de ponçage	5/32" (4 mm)
Diamètre du plateau de ponçage	8-21/32" (220 mm)
Diamètre de l'abrasif	8-27/32" (225 mm)
Raccord d'aspiration des poussières	1-7/16" (1-1/16"), 36 mm (27 mm)
Fréquence	2402 Mhz – 2480 Mhz
Puissance isotrope rayonnée équivalente (PIRE)	< 10 dBm
Longueur de la version courte (sans rallonge)	47" (1.2 m)
Longueur de la version longue (une rallonge)	65" (1.65 m)
Poids selon la procédure EPTA 01:2014	
Version longue (une rallonge)	10.4 lbs (4.7 kg)
Version courte (sans rallonge)	8.8 lbs (4 kg)

6 Éléments de l'appareil

- [1-1] Poignée
- [1-2] Touche Bluetooth®
- [1-3] Affichage LED
- [1-4] Touche lumière rasante
- [1-5] Interrupteur MARCHE/ARRÊT
- [1-6] Poignée en forme de T
- [1-7] Clip de tuyau
- [1-8] Poignée
- [1-9] Régulation du régime
- [1-10] Raccord plug-it
- [1-11] Raccord d'aspiration

- [1-12] Système de verrouillage de manchon d'aspiration
- [1-13] Levier de verrouillage
- [1-14] Rallonge
- [1-15] Régulateur d'aspiration
- [1-16] Tête de ponçage
- [1-17] Lampe rasante
- [1-18] Plateau de ponçage
- [1-19] Pad d'interface
- [1-20] Câble de raccordement secteur plug-it
- [1-21] Surfaces de préhension isolées

Des éléments fournis sont disponibles sur le volet qui se trouve au début de cette notice d'utilisation. Vous pouvez ainsi déplier cette page et visualiser en permanence les différentes parties de l'outil lorsque vous lisez la notice.

7 Mise en service



AVERTISSEMENT

Risque de blessures, décharge électrique

- Débrancher la fiche de la prise de courant avant toute intervention sur la machine !

7.1 Montage/démontage



AVERTISSEMENT

Montage défectueux

Risque de blessures dû à la chute de pièces et perte de contrôle

- Avant de brancher l'outil électroportatif, s'assurer que tous les leviers de verrouillage sont complètement fermés.

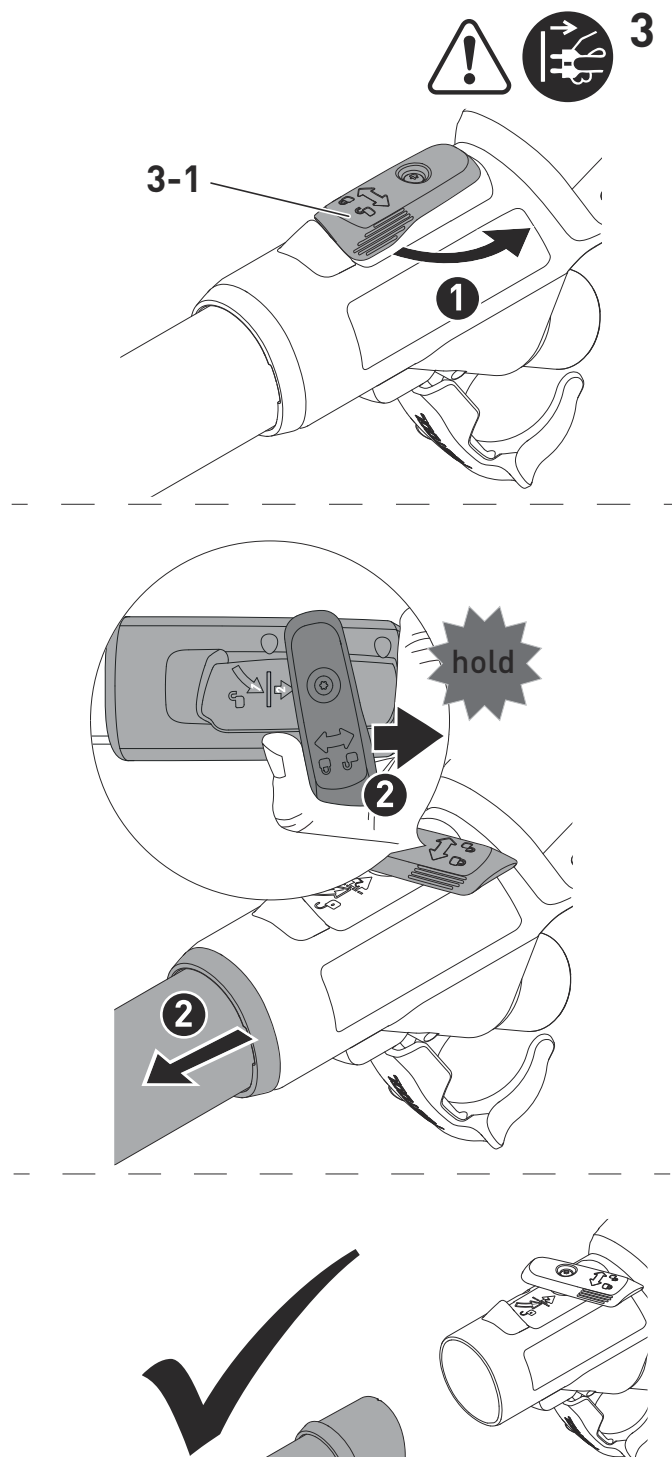
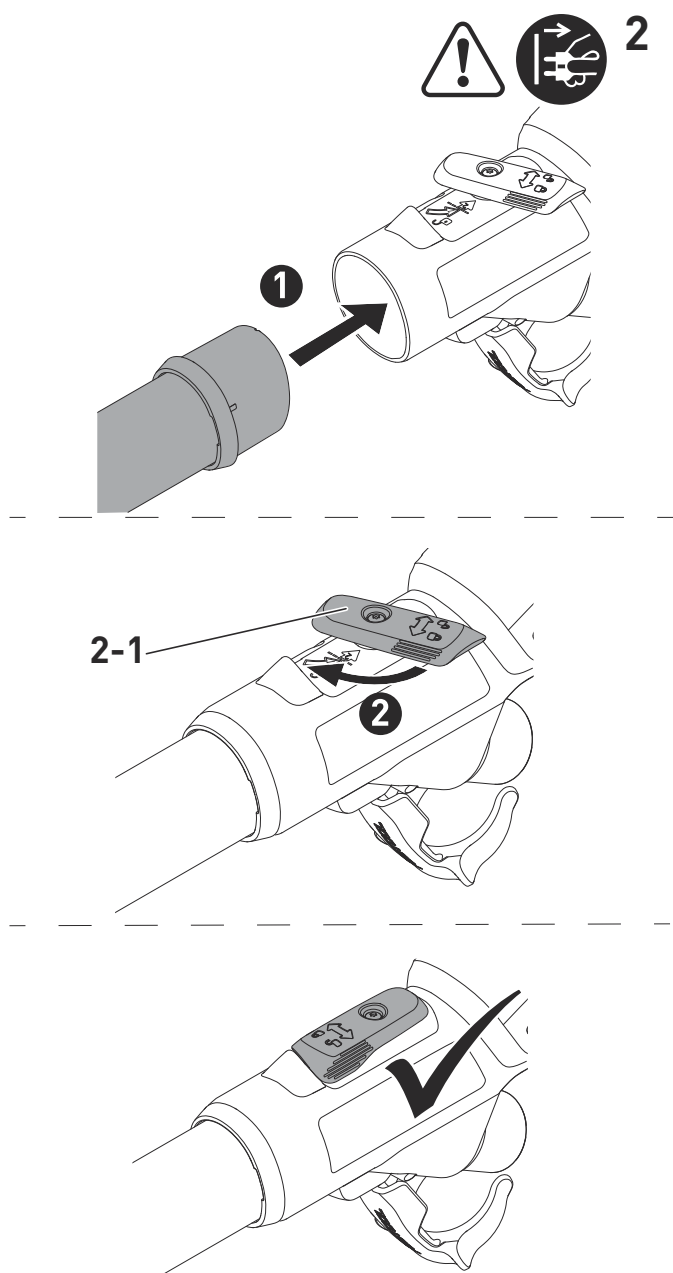
Montage [2]

La ponceuse à bras comprend une poignée LHS 2 225 EQI [1-1], au maximum deux rallonges EXT-LHS 2 225 [1-14] et une tête de ponçage TOP-LHS 2 225 [1-16].

- ❶ Enfoncer l'extrémité du tuyau de la tête de ponçage jusqu'en butée dans l'orifice de la poignée.
- ❷ Tourner le levier de verrouillage [2-1] jusqu'en butée en direction de la tête de ponçage.
- En tirant, vérifier que la poignée et la tête de ponçage soient solidement assemblées.

La poignée et la tête de ponçage sont bien assemblées.

Monter les rallonges de la même façon que la poignée.



Démontage [3]

- ▶ ① Ouvrir le levier de verrouillage [3-1].
- ▶ ② Tourner le levier de verrouillage [3-1] en direction de l'extrémité de la poignée jusqu'en butée et maintenir dans cette position. Tirer en même temps la tête de ponçage et la poignée.

La tête de ponçage et la poignée sont séparées et peuvent être rangées dans le Systainer.

Démonter les rallonges de la même façon que la poignée.

7.2 Raccordement

⚠ ⚡ AVERTISSEMENT

Tension ou fréquence non admissible ! Risque d'accident

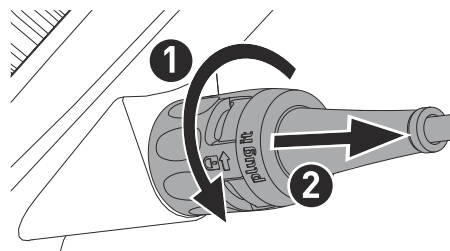
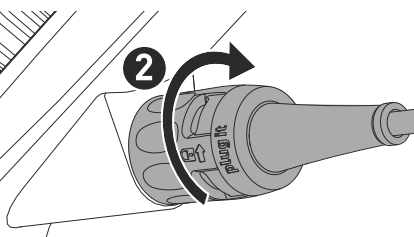
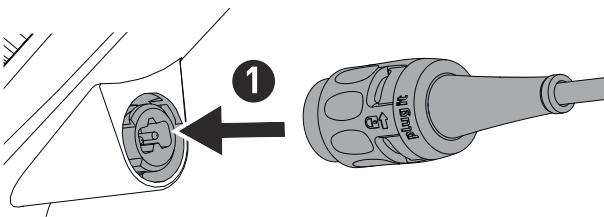
- ▶ La tension et la fréquence d'alimentation électrique doivent être conformes aux indications de la plaque signalétique.
- ▶ En Amérique du nord, utiliser uniquement les machines Festool fonctionnant sous une tension de 120 V / 60 Hz.

**ATTENTION**

Échauffement du raccord plug-it si le raccord à baïonnette n'est pas complètement verrouillé

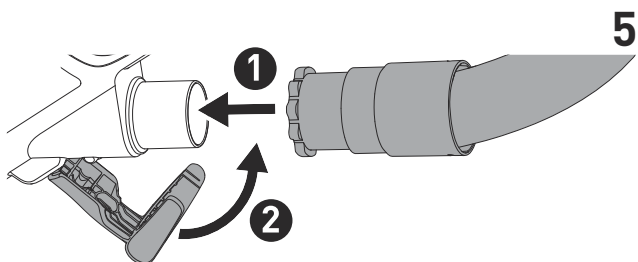
Risque de brûlures

- ▶ Avant de mettre en marche l'outil électroportatif, assurez-vous que le raccord à baïonnette sur le câble de raccordement secteur est complètement fermé et verrouillé.
- ▶ Brancher et débrancher le câble de raccordement secteur - [4].



- ▶ Brancher le tuyau d'aspiration [5], voir également le chapitre 8.6 .

Avec le manchon d'aspiration spécial, le tuyau d'aspiration PLANEX garantit une fixation durable et une meilleure protection anti-pli.

**7.3 Mise en marche/à l'arrêt****Interrupteur MARCHE/ARRÊT [1-5]**

I = MARCHE, 0 = ARRÊT

8 Réglages**AVERTISSEMENT****Risque de blessures, décharge électrique**

- ▶ Débrancher la fiche de la prise de courant avant toute intervention sur la machine !

8.1 Moteur et système électronique

L'outil électroportatif équipé d'un moteur EC-TEC sans charbons pour une longévité accrue dispose d'un système électronique puissant et des caractéristiques suivantes :

Démarrage progressif

Le démarrage progressif à régulation électronique assure un démarrage sans à-coups de l'outil électroportatif.

Régulation du régime

La molette [1-9] permet un réglage progressif dans la plage de vitesse (voir chapitre 5). La vitesse de ponçage peut ainsi être adaptée à chaque matériau de façon optimale.

Vitesse de rotation constante

La vitesse sélectionnée est maintenue constante de manière électronique. La vitesse de ponçage reste homogène lorsque l'outil est utilisé de façon conforme (pression appropriée).

Protection contre la surchauffe

Pour éviter une surchauffe de l'outil électroportatif, la puissance absorbée est limitée si la température est trop élevée (par ex. si la pression pendant le fonctionnement est trop élevée). Si la température continue d'augmenter, l'outil électroportatif s'arrête complètement. La remise en marche n'est possible qu'après refroidissement de l'outil électroportatif.

Protection contre les surcharges

Si le plateau de ponçage est bloqué ou que le moteur est surchargé, l'outil électroportatif s'arrête, voir également chapitre 14 .

8.2 Changer d'abrasif [6]



ATTENTION

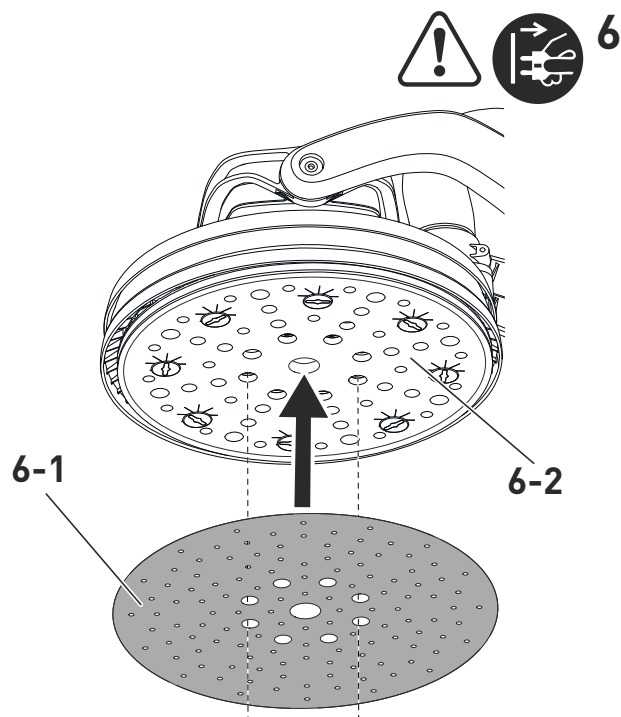
Détérioration de la puissance d'aspiration et augmentation des rejets de poussière

Risques pour la santé dus aux poussières

- ▶ Le gabarit de trous de l'abrasif doit coïncider avec la perforation du pad d'interface.
- ▶ Utiliser uniquement les abrasifs recommandés à gabarit de trous adapté.

L'abrasif StickFix approprié peut être fixé rapidement et facilement sur le pad d'interface.

- ▶ Presser l'abrasif [6-1] sur le pad d'interface [6-2].



8.3 Remplacer le pad d'interface [7]



ATTENTION

Diminution de l'adhérence du revêtement StickFix

Risque de blessures dû à des projections de pièces

- ▶ Contrôler régulièrement le niveau d'usure du revêtement StickFix sur le pad d'interface et sur l'abrasif.
- ▶ Remplacer le pad d'interface/l'abrasif si le revêtement StickFix est usé.

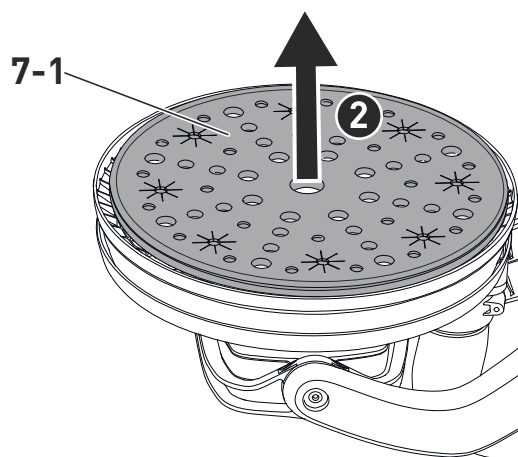
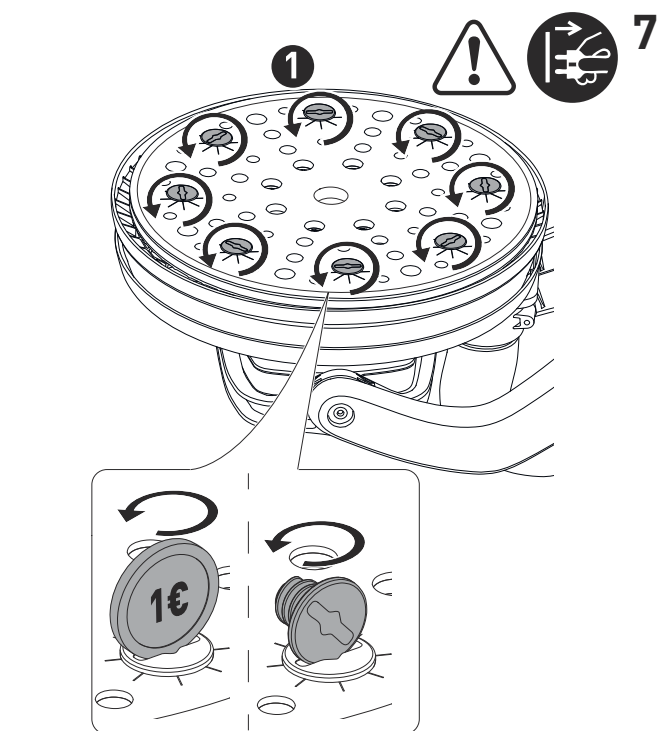
Le pad d'interface est fixé au plateau de ponçage avec huit vis.

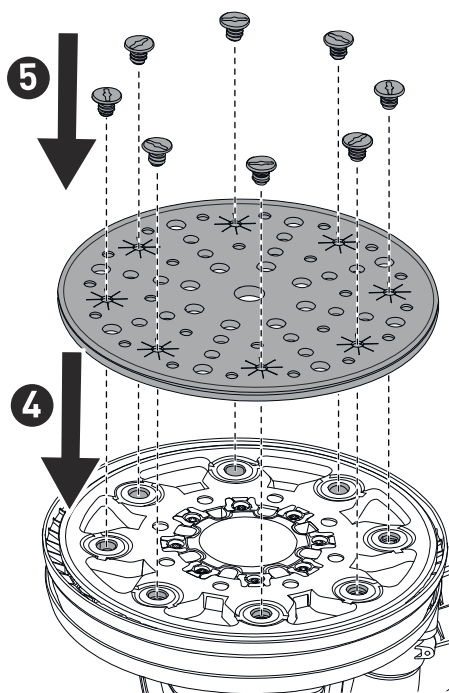
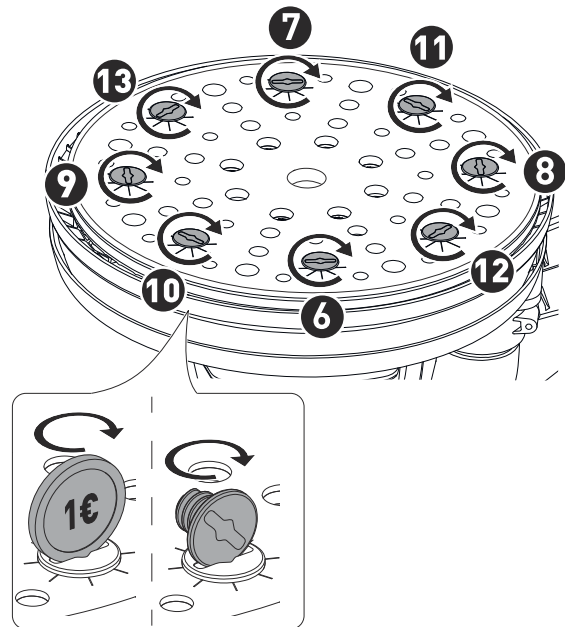
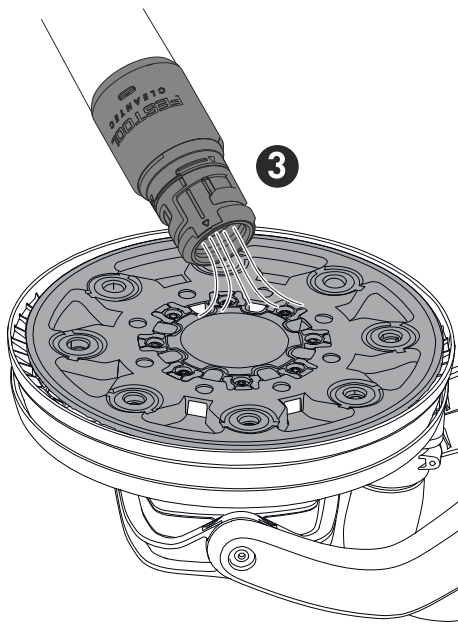
- ▶ Retirer l'abrasif.
- ▶ ❶ Desserrer les vis à l'aide de la tête de vis ou d'une pièce (par ex. d'un euro) dans le sens antihoraire.

- ▶ ❷ Retirer le pad d'interface [7-1].
- ▶ ❸ Aspirer le plateau de ponçage et si besoin est, le nettoyer avec un pinceau.
- ▶ ❹ Placer un nouveau pad d'interface sur le plateau de ponçage.
- ▶ ❺ Remettre les huit vis en place les unes après les autres.

Le pad d'interface est mis en place de façon optimale.

- ▶ ❻ - ❸ Serrer toutes les vis en croix dans le sens horaire.





8.4 Remplacement du plateau de ponçage [8]



ATTENTION

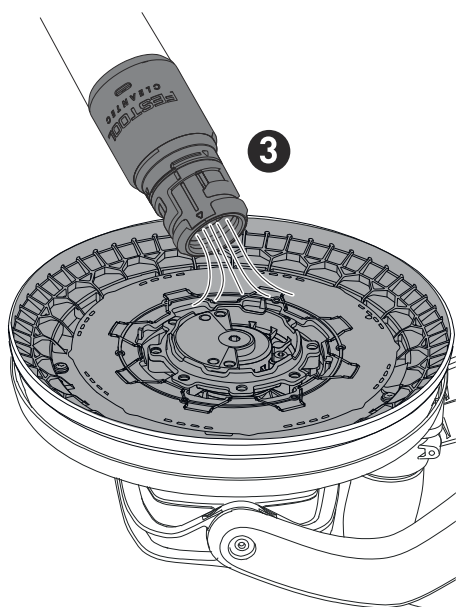
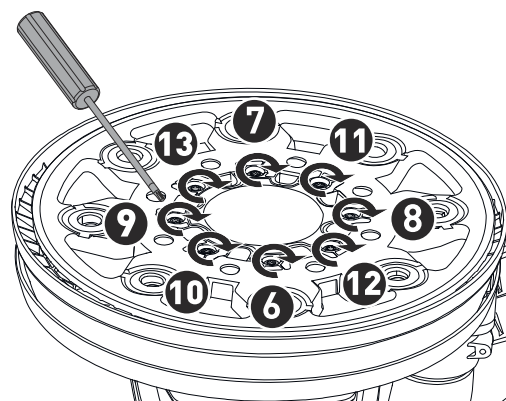
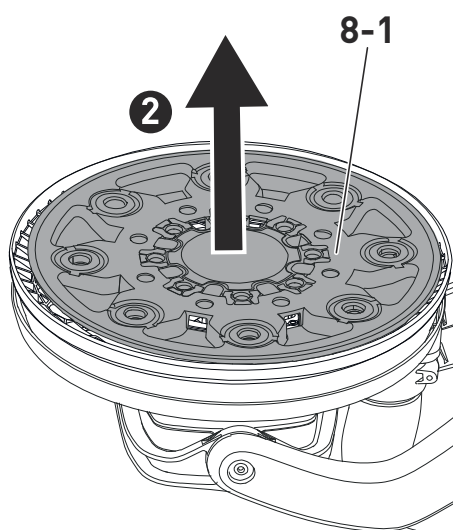
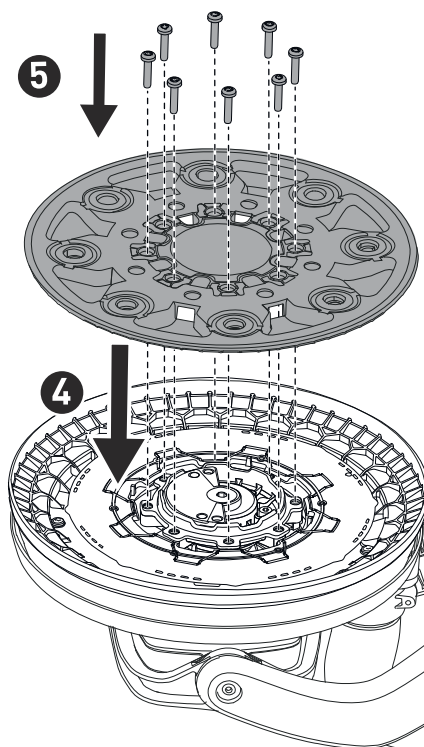
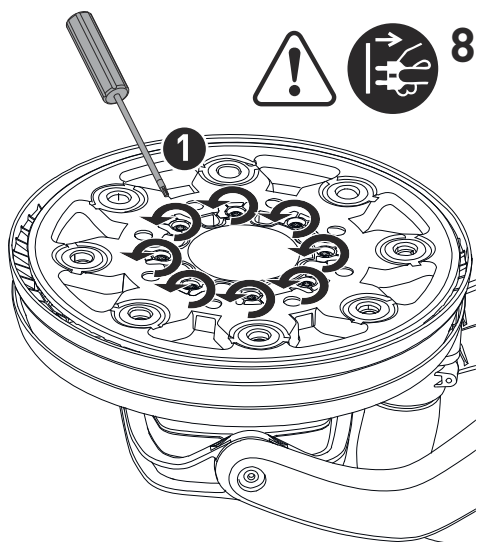
Plateau de ponçage usé, le plateau de ponçage monte en vitesse

Risque de blessures dû à des projections de pièces

- ▶ Vérifier régulièrement l'usure du plateau de ponçage.
- ▶ Remplacer le plateau de ponçage si besoin est.

Le plateau de ponçage est fixé avec huit vis à l'outil électroportatif.


- ▶ Retirer l'abrasif et le pad d'interface, voir chapitres 8.2 et 8.3 .
- ▶ **1** Desserrer les vis à l'aide d'un tournevis approprié dans le sens antihoraire.
- ▶ **2** Retirer avec précaution le plateau de ponçage **[8-1]** en le tirant légèrement. Veiller à ce qu'aucune saleté ne pénètre dans le boîtier excentrique.
- ▶ **3** Si besoin est, aspirer les particules de poussière.
- ▶ **4** Placer le nouveau plateau de ponçage de sorte que les orifices dans le plateau de ponçage coïncident avec les filetages de vis.
- ▶ **5** Remettre les huit vis en place les unes après les autres.
- ▶ **6 - 13** Serrer toutes les vis en croix dans le sens horaire et vérifier le serrage.





8.5 Réglage de la fonction autoportée

La ponceuse à bras peut se maintenir par aspiration sur la surface de ponçage et permet ainsi un travail sans peine.

- ▶ Fonction autoportée faible.
- ▶ Brancher tout d'abord l'outil électroportatif et l'appliquer ensuite sur la surface de ponçage.
- ▶ Augmenter lentement le débit d'aspiration jusqu'à sentir nettement la pression d'appui.

 Le régulateur d'aspiration [1-15] permet de régler la puissance du débit d'aspiration en fonction de la surface de ponçage.

 Plafond
Fonction autoportée maximale

 Mur
Fonction autoportée minimale

- ⓘ Un débit d'aspiration réglé trop haut peut entraîner une surcharge de l'outil électroportatif, un guidage difficile ou une mauvaise qualité de la surface.

8.6 Aspiration



AVERTISSEMENT

Risques pour la santé dus aux poussières

- ▶ Ne jamais travailler sans aspiration.
- ▶ Respecter les dispositions nationales.
- ▶ Porter une protection respiratoire !

L'outil électroportatif n'est pas équipé d'une aspiration intégrée. Pour cette raison, un aspirateur Festool doté d'un diamètre de tuyau d'aspiration de 1-7/16" (36 mm) ou 1-1/16" (27 mm) doit être raccordé au raccord d'aspiration **[1-11]** (1-7/16" (36 mm) recommandé en raison du risque moindre de colmatage et de la puissance d'aspiration plus élevée).

Recommandation : utiliser un tuyau d'aspiration antistatique ! La fonction antistatique empêche la charge d'électricité statique.

- ⓘ Pour la ponceuse à bras, utiliser toujours les aspirateurs Festool CTL/M 36 E AC-LHS ou PLANEX, étant donné qu'ils conviennent parfaitement à la grande quantité de poussières et disposent d'un nettoyage.

8.7 Réglage de la lampe rasante

La touche de la lampe rasante **[1-4]** permet d'activer et de désactiver la lampe rasante, même si l'outil électroportatif est désactivé. Au bout d'une heure, la lampe rasante s'éteint si l'outil électroportatif est désactivé.

Piloter la lampe rasante via l'application Festool Work

Lorsque l'outil électroportatif est connecté via **Bluetooth®** à l'application Festool Work (voir chapitre 8.8), il est possible de configurer la lampe rasante.

8.8 Connecter l'outil électroportatif via Bluetooth®

Connecter à l'application Festool Work

L'outil électroportatif peut être configuré à l'aide de l'application Festool Work.

- ▶ Appuyer sur la touche **[1-2]** Bluetooth® de l'outil électroportatif pendant env. 3 secondes jusqu'à ce que l'indicateur LED clignote en bleu.

L'outil électroportatif est prêt pour la connexion pendant 60 secondes.

- ▶ Suivre les instructions fournies dans l'application Festool Work pour autoriser la connexion sécurisée.

- ⓘ Le fait d'appuyer sur la touche Bluetooth® permet de basculer entre les réglages usine de l'outil électroportatif et les configurations dans l'application Festool Work.

Connecter à l'aspirateur

- ▶ Activer le mode automatique de l'aspirateur (voir la notice d'utilisation de l'aspirateur).
- ▶ Appuyer une fois sur la touche de connexion de l'aspirateur ou de la commande à distance (voir notice d'utilisation de l'aspirateur/du module de réception de post-équipement).
- ▶ Mettre l'outil électroportatif en marche. *L'aspirateur se met en marche et l'outil électroportatif est connecté jusqu'à la mise à l'arrêt manuelle de l'aspirateur ou de l'outil électroportatif. La connexion est aussi coupée si un autre outil électroportatif est connecté via Bluetooth® à l'aspirateur.*

Indicateurs LED [1-3]

Indicateurs LED	Signification
La LED s'allume en vert.	Les configurations effectuées dans l'application Festool Work sont activées, par ex. la lampe rasante a été tamisée.
LED clignote 1 fois en bleu.	L'outil électroportatif cherche un aspirateur prêt à la connexion après la mise en marche.
Les LED clignotent en bleu.	L'outil électroportatif peut être connecté à un terminal mobile.
La LED s'allume en bleu.	L'outil électroportatif est connecté via Bluetooth® à un terminal mobile ou à un aspirateur.
La LED clignote en violet.	Mode de mise à jour logicielle activé.
La LED clignote en rouge.	L'outil électroportatif est en surchauffe, plus d'informations dans l'application Festool Work et au chapitre 14.
La LED s'allume en rouge.	Problème électronique, plus d'informations dans l'application Festool Work. Si l'erreur persiste, s'adresser à un atelier de service après-vente agréé.

9 Utilisation de l'outil électroportatif



AVERTISSEMENT

Risques de blessures

- ▶ Toujours tenir l'outil électroportatif avec les deux mains au niveau des surfaces de préhension indiquées, voir chapitre 9.2.
- ▶ Avant de brancher l'outil électroportatif, s'assurer que tous les leviers de verrouillage sont complètement fermés.

9.1 Rallonge

S'il est nécessaire d'utiliser une rallonge, celle-ci doit présenter une section suffisante pour éviter une perte de tension excessive ou une surchauffe. Une perte de tension excessive réduit la puissance et peut provoquer la défaillance du moteur. Le tableau ci-dessous indique le diamètre de câble approprié en fonction de la longueur de câble pour cet outil.

Taille de câble en AWG

Intensité nominale de l'outil	Longueur de câble en pieds			
	25	50	100	150
3-6	18	16	16	14
6-8	18	16	14	12
8-10	18	16	14	12
10-12	16	16	14	12
12-16	14	12	-	-

Taille de câble en mm²

Intensité nominale de l'outil	Longueur de câble en mètres			
	15	30	60	120
3-6	0,75	0,75	1,5	2,5
6-8	0,75	1,0	2,5	4,0
8-10	0,75	1,0	2,5	4,0
10-12	1,0	2,5	4,0	-
12-16	-	-	-	-

Utiliser uniquement des rallonges homologuées NRTL.

Ne jamais utiliser deux rallonges ensemble. Au lieu de cela, utiliser une rallonge plus longue.

- ⓘ Plus la valeur AWG est faible, plus le diamètre du câble est élevé.

9.2 Maintien correct de l'outil électroportatif

Type de montage	Surface de préhension
Poignée + tête de ponçage	Tenir avec une main la poignée [1-8] / poignée en forme de T [1-6] et avec l'autre main le tuyau de la tête de ponçage [1-16] .
Poignée + rallonge + tête de ponçage	Tenir avec une main la poignée [1-8] / poignée en forme de T [1-6] et avec l'autre main la rallonge [1-14] .
Poignée + 2 rallonges + tête de ponçage	Tenir avec une main la poignée [1-8] / poignée en forme de T [1-6] et avec l'autre main la première rallonge après la poignée [1-1] .

9.3 Ponçage

- ▶ Mettre en marche l'outil électroportatif, voir chapitre 7.3.
- ▶ Appliquer la tête de ponçage parallèle à la surface de ponçage.
- ▶ Réaliser les travaux de ponçage.

Si l'outil électroportatif émet trois bips, une panne est en présence, pour remédier à l'erreur voir chapitre 14.

- ⓘ La protection contre le redémarrage empêche une remise en marche automatique après une coupure d'alimentation (par ex. panne de courant). Après une coupure d'alimentation, ré-enclencher l'outil électroportatif.
- ⓘ Ne pas appuyer trop fort sur l'outil électroportatif pour ne pas le solliciter de manière excessive ! Le meilleur résultat de ponçage est obtenu avec un débit d'aspiration correctement réglé sans pression supplémentaire sur l'outil électroportatif. Les performances de ponçage et la qualité du ponçage dépendent essentiellement du choix de l'abrasif.

9.4 Travailler au plafond



AVERTISSEMENT

**Si l'aspiration est interrompue
Risque de blessures dû à la chute d'un outil
électroportatif et perte de contrôle**

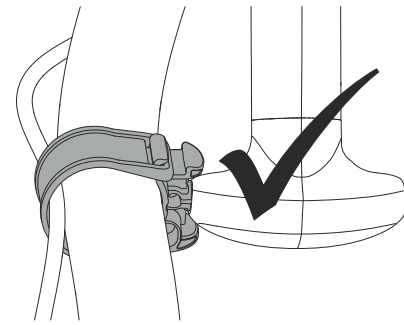
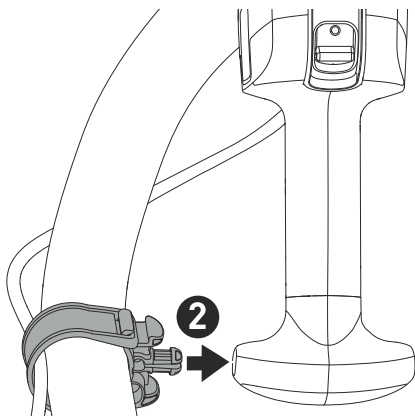
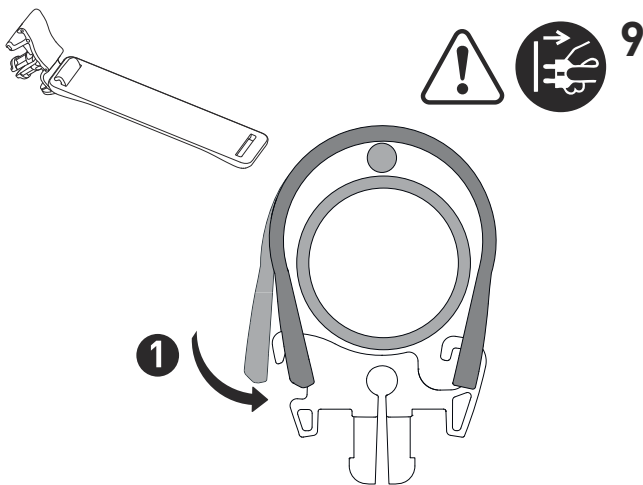
- ▶ Toujours tenir l'outil électroportatif avec les deux mains au niveau des surfaces de préhension indiquées, voir chapitre 9.2.

Fixation du clip de tuyau [9]

Lors de travaux au plafond, le clip de tuyau empêche que le raccordement secteur plug-it et le tuyau d'aspiration tous les deux suspendus ne tombent sur la main et n'entravent la liberté de mouvement.

- ▶ Débrancher la fiche secteur.
- ▶ ① Fixer le clip de tuyau au tuyau d'aspiration et au raccordement secteur plug-it.
- ▶ ② Accrocher le clip de tuyau à droite et à gauche de la poignée en forme de T.

ⓘ Si le clip de tuyau est monté, il peut, en fonction du travail au plafond ou au mur, être accroché et décroché de la poignée en forme de T.



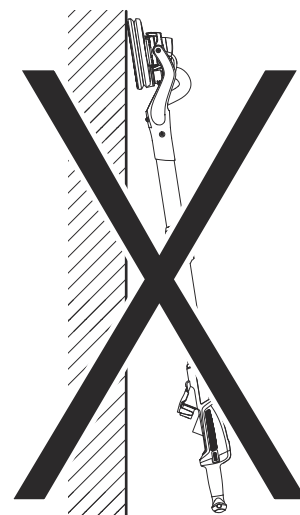
9.5 Après le travail

AVIS

Endommagement et encrassement de l'outil électroportatif

- ▶ Ne pas déposer l'outil électroportatif sur le plateau de ponçage [1-18] ou la poignée en forme de T [1-6] - [10].
- ▶ Toujours le déposer sur le côté ou utiliser le support pour PLANEX sur l'aspirateur.
- ▶ À la fin des travaux de ponçage, mettre l'outil électroportatif à l'arrêt et le déposer.

10



10 Maintenance et entretien



AVERTISSEMENT

Tout travail de maintenance ou de réparation, qui nécessite l'ouverture du moteur ou du carter d'engrenages doit uniquement être effectué par un centre service-client autorisé (nom fourni par votre revendeur) !

- ▶ Les travaux de maintenance ou de réparation effectués par un personnel non autorisé peuvent conduire à la mauvaise connexion de câbles d'alimentation ou d'autres composants, ce qui peut entraîner à son tour des accidents avec des conséquences graves.



AVERTISSEMENT

Pour éviter les accidents, retirez toujours la fiche mâle de la prise d'alimentation électrique avant d'effectuer tout travail de maintenance ou de réparation sur la machine !

- N'utilisez pas d'air comprimé pour nettoyer l'outil électrique ! N'essayez pas de nettoyer des parties à l'intérieur de la machine de cette façon, étant donné que des corps étrangers pourraient pénétrer dans les ouvertures du carter de la machine.



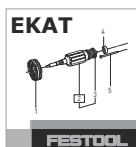
ATTENTION

Certains produits nettoyants et solvants sont nocifs pour les pièces en plastique.

- Quelques exemples de produit nocif : essence, acétone, méthyléthylcétone (MEK), chlorure de carbonyle, solutions nettoyantes contenant du chlore, de l'ammoniac et les produits ménagers contenant de l'ammoniac.



Service après-vente et réparation uniquement par le fabricant ou des ateliers homologués. Pour trouver l'adresse la plus proche : www.festool.fr/services



Utiliser uniquement des pièces détachées Festool d'origine ! Réf. sur : www.festool.fr/services

Vérifier que les avertissements figurant sur l'outil électroportatif sont lisibles et au complet. Remplacer les avertissements manquants ou illisibles.

- Toujours indiquer le numéro de série sur la plaque signalétique qui se trouve sur la poignée **[1-1]** pour le Service Après-Vente et les réparations.
- Contrôler régulièrement le connecteur et le câble, et, en cas d'endommagement, faites les remplacer par un atelier de service après-vente agréé.
- Ne pas nettoyer l'outil électroportatif à l'air comprimé.
- Pour assurer la circulation de l'air, il est impératif que les ouïes de ventilation du carter moteur soient maintenues dégagées et propres.
- Aspirer régulièrement le plateau de ponçage.
- Tous les éléments de l'appareil, en particulier les éléments de commande et les orifi-

ces du boîtier, doivent rester propres et être aspirés régulièrement avec un pin-ceau.

10.1 Frein de plateau

Le frein de plateau frotte sur le plateau de ponçage empêchant toute rotation du plateau à vitesse excessive et incontrôlée. Grâce à des broches métalliques, le frein de plateau est pratiquement sans usure.

Si l'effet de freinage diminue, contrôlez l'usure du plateau de ponçage et le cas échéant, remplacez-le, voir chapitre 8.4.

Si le frein de plateau est endommagé, le faire remplacer par un atelier du Service Après-Vente autorisé.

11 Accessoires

Utilisez uniquement les accessoires Festool et consommables Festool d'origine prévus pour cette machine, car ces composants systèmes sont parfaitement adaptés les uns par rapport aux autres. Si vous utilisez des accessoires et consommables d'autres marques, la qualité du résultat peut être dégradée et les recours en garantie peuvent être soumis à des restrictions. L'usure de la machine ou votre charge personnelle peuvent augmenter selon chaque application. Pour cette raison, protégez-vous, votre machine et vos droits à la garantie en utilisant exclusivement des accessoires Festool et des consommables Festool d'origine !

Les références des accessoires et des outils figurent dans le catalogue Festool ou sur Internet sous "www.festoolusa.com".

11.1 SYSTAINER

Systainer

De nombreux produits Festool sont fournis dans une caisse exclusive, appelée "Systainer". Celle-ci permet de protéger et de ranger des outils et des appareils complémentaires. Les Systainer sont empilables et peuvent être solidarisés. En outre, il se fixent sur les aspirateurs CT Festool.

Pour ouvrir le Systainer



Tournez le T-loc **[SYS-b-1]** à cette position.

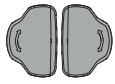
Pour fermer le Systainer



Tournez le T-loc **[SYS-b-1]** à cette position.

Pour connecter deux Systainers

Placez un Systainer au dessus de l'autre [SYS-a].

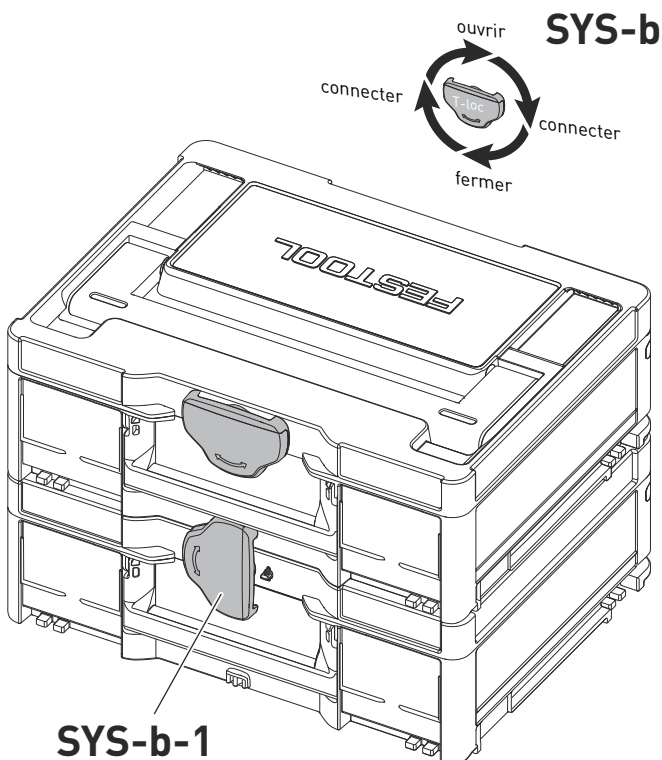
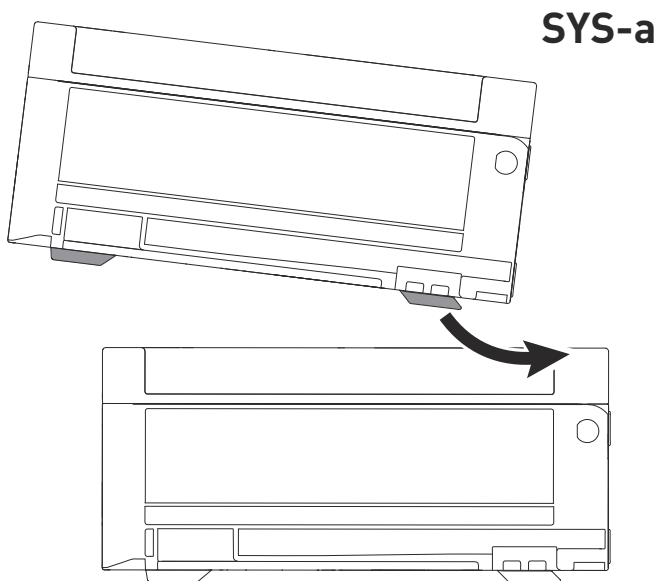


Tournez le T-loc [SYS-b-1] à une de cette positions (Fig. [SYS-b]).

Les Systainers sont combinés.

① Un Systainer Classic Line peut être relié par en bas à un Systainer T-Loc ou à un Systainer³ avec ses quatre éléments de verrouillage

Un Systainer T-Loc peut être relié à un Systainer³ à la fois par le bas et par le haut.



12 Environnement

La poignée [1-1] présente une pile bouton li-ion derrière la touche Bluetooth® [1-2].

Avant l'élimination

Seul le personnel spécialisé et qualifié : Retirer la pile bouton li-ion de l'appareil ! Pour cela, dévisser les pièces du boîtier et retirer la pile bouton li-ion.

Ne jetez pas l'appareil avec les ordures ménagères ! Éliminez l'appareil, les accessoires et les emballages de façon compatible avec l'environnement. Respectez les prescriptions nationales en vigueur.

Mise au rebut des batteries



AVERTISSEMENT

Risque d'incendie ou de blessures

- ▶ Ne tentez pas de désassembler la batterie ou d'enlever tout composant faisant saillie des bornes de batterie.
- ▶ Avant la mise au rebut, protégez les bornes exposées à l'aide d'un ruban isolant épais pour prévenir le court-circuitage.

Remettre les **batteries usagées ou défectueuses** au point de collecte (respecter les règlements en vigueur) uniquement une fois celles-ci déchargées et protégées contre les courts-circuits (par ex. par isolation des pôles avec un ruban adhésif).

Les batteries seront ainsi recyclées de manière appropriée.

13 Remarques générales

13.1 Informations relatives à la protection des données

L'outil électroportatif contient une puce permettant l'enregistrement automatique des données d'outil et de fonctionnement. Les données enregistrées ne contiennent aucune référence directe aux personnes.

Les données peuvent être lues sans contact à l'aide d'appareils spéciaux. Elles sont utilisées par Festool uniquement pour le diagnostic d'erreurs, la gestion des réparations et de la garantie, ainsi que pour l'amélioration de la qualité et/ou le perfectionnement de l'outil électroportatif. Toute utilisation des données dépassant ce cadre – sans l'accord exprès du client – est exclue.

13.2 Informations sur Bluetooth®

L'appareil peut être relié via Bluetooth® à un terminal mobile ou à un aspirateur. Dès que l'appareil est relié via Bluetooth® à l'application Festool Work et que la connexion sécurisée a été autorisée, l'appareil se connecte automatiquement à l'application Festool Work à partir de ce moment. L'appareil envoie régulièrement des informations d'état (ID, état de fonctionnement, etc.) via Bluetooth®.

La marque verbale Bluetooth® et les logos sont des marques déposées de Bluetooth SIG, Inc. et sont utilisés sous licence par TTS Tooltechnic Systems AG & Co. KG et donc par Festool GmbH.

13.3 Commission fédérale des communications (FCC) Déclaration concernant les interférences

Rem. : cet appareil a été soumis à des tests qui ont permis de constater sa conformité aux limites applicables aux appareils numériques de la classe B suivant la partie 15 du **règlement de la FCC**. Ces limites sont conçues pour offrir une protection raisonnable contre les interférences nuisibles dans un environnement domestique. Cet appareil génère, utilise et peut émettre de l'énergie de radiofréquence et, s'il n'est pas installé et utilisé conformément à ces instructions, peut provoquer des interférences nuisibles pour les radiocommunications. Cependant, il n'existe aucune garantie que ces interférences ne se produiront pas dans une installation quelconque. Si cet appareil provoque des interférences nuisibles pour la réception radiophonique ou télévisuelle, ce qui peut être déterminé en éteignant l'appareil puis en le rallumant, l'utilisateur est invité à essayer de remédier aux interférences en prenant une ou plusieurs des mesures suivantes :

- Modifier l'orientation de l'antenne de réception ou la changer de place.
- Augmenter la distance entre l'appareil et le récepteur.

- Brancher l'appareil dans la prise d'un circuit différent de celui auquel le récepteur est branché.
- Demander de l'aide au revendeur ou à un technicien radio/TV expérimenté.

Rem. : en cas de changements ou modifications effectué(e)s sans l'approbation expresse du responsable de la conformité, l'utilisateur risque de ne plus être autorisé à se servir de l'appareil.

13.4 Déclaration de conformité CNR

L'appareil est conforme aux CNR exempts de licence d'Industrie Canada. Son fonctionnement est soumis aux deux conditions suivantes:

(1) cet appareil ne doit pas provoquer d'interférences, et

(2) cet appareil doit supporter toutes les interférences, y compris celles susceptibles d'en perturber le fonctionnement. Cet appareil et sa conception satisfont aux exigences de sécurité s'appliquant à l'exposition aux RF suivant CNR-102 5e édition, pour les dispositifs portatifs.

13.5 Remarques (ISED)

Cet appareil numérique de classe B est conforme aux normes canadiennes ICES-003 et RSS-210. Son fonctionnement est soumis aux deux conditions suivantes:

(1) cet appareil ne doit pas causer d'interférence

(2) cet appareil doit accepter toute interférence, notamment les interférences qui peuvent affecter son fonctionnement.

13.6 Informations concernant l'exposition aux fréquences radio (RF)

La puissance de sortie émise par l'appareil de sans fil est inférieure à la limite d'exposition aux fréquences radio d'Innovation, Sciences et Développement économique Canada (ISDE). Utilisez l'appareil de sans fil de façon à minimiser les contacts humains lors du fonctionnement normal.

14 Dépannage

Problème	Causes possibles	Solutions
L'outil électroportatif évolue de façon irrégulière / difficilement sur la surface.	Puissance d'aspiration mal réglée.	Adapter le débit d'aspiration jusqu'à ce que la cause ait disparu, voir chapitre 8.5 .
	Pad d'interface endommagé ou déformé.	Remplacer le pad d'interface, voir chapitre 8.3 .
	Régime mal réglé.	Augmenter le régime.

Problème	Causes possibles	Solutions
L'outil électroportatif ne tient pas au plafond.	Puissance d'aspiration mal réglée.	Augmenter le débit d'aspiration, voir chapitre 8.5 .
	Grain de l'abrasif trop grossier.	Choisir un grain plus fin, par ex. P240, P320.
	La puissance d'aspiration est insuffisante.	Voir mesures à prendre aux lignes "La puissance d'aspiration ... est insuffisante."
Enlèvement trop important de matériau à usiner.	La puissance d'aspiration de l'outil électroportatif est trop élevée.	Diminuer le débit d'aspiration jusqu'à ce que la cause ait disparu, voir chapitre 8.5 .
	Grain de l'abrasif trop grossier.	Choisir un grain plus fin, par ex. P240, P320.
	Régime de l'outil électroportatif trop élevé.	Réduire le régime, voir chapitre 8.1 .
	Matériau d'enduit à teneur élevée en charges, enduit souple.	Réduire le régime, voir chapitre 8.1 .
Qualité de surface pas optimale.	Grain d'abrasif incorrect.	Choisir un grain plus fin, par ex. P240, P320.
	Temps de séchage du matériau d'enduit pas respecté correctement.	Tenir compte des fiches techniques et des recommandations du fabricant.
	La puissance d'aspiration de l'outil électroportatif est mal réglée.	Adapter le débit d'aspiration jusqu'à ce que la cause ait disparu, voir chapitre 8.5 .
	Matériau d'enduit à teneur élevée en charges, enduit souple.	Choisir un grain plus fin, par ex. P240, P320.
Rayures de ponçage sur la surface.	Application inclinée du plateau de ponçage sur la surface.	Appliquer le plateau de ponçage en parallèle à la surface.
	Le frein de plateau est usé.	Faire remplacer le frein de plateau par un atelier de service après-vente agréé.
La puissance d'aspiration de l'outil électroportatif est insuffisante.	La perforation du pad d'interface ou du plateau de ponçage est bouchée.	Aspirer le pad d'interface, le plateau de ponçage et les canaux d'aspiration.
	Abrasif incorrect.	Utiliser uniquement les abrasifs Festool d'origine avec gabarit de trous adapté.
	La perforation de l'abrasif ne coïncide pas avec la perforation du pad d'interface.	Placer l'abrasif correctement, voir chapitre 8.2 .

Problème	Causes possibles	Solutions
La puissance d'aspiration de l'aspirateur est insuffisante.	L'élément filtrant sur le CTL/ M 36 E AC-LHS ou PLANEX est bouché / colmaté.	Nettoyage régulier de l'élément filtrant : <ul style="list-style-type: none"> - utiliser la fonction de nettoyage de l'aspirateur, voir notice d'utilisation de l'aspirateur. - nettoyer mécaniquement l'élément filtrant (aspirer). - contrôler l'état d'endommagement et de colmatage de l'élément filtrant. Utiliser régulièrement un nouvel élément filtrant.
	Sac d'élimination des déchets mal inséré.	Les trous perforés du sac d'élimination des déchets doivent se trouver à l'intérieur du bac.
	Utilisation d'un sac filtre au lieu d'un sac d'élimination des déchets.	Utiliser uniquement un sac d'élimination des déchets.
	Débit d'aspiration trop faible réglé au niveau du CTL/ M 36 E AC-LHS ou PLANEX.	Régler le dispositif de régulation de la puissance d'aspiration sur une valeur plus élevée.
	Tuyau d'aspiration obstrué ou plié.	Éliminer l'obstruction ou le pli.
	Sac d'élimination des déchets plein.	Remplacer le sac d'élimination des déchets.
Le régime baisse nettement, l'outil électroportatif s'arrête puis émet trois signaux sonores et la LED clignote en rouge.	L'outil électroportatif active la protection contre la surchauffe.	Éteindre l'outil électroportatif et le laisser refroidir. Le remettre en marche et continuer à le laisser refroidir en marche à vide. Ensuite : <ul style="list-style-type: none"> - Diminuer le débit d'aspiration jusqu'à ce que la cause ait disparu. - Exercer moins de pression. - Mettre l'appareil à l'arrêt et nettoyer les orifices du boîtier.
L'outil électroportatif démarre de façon irrégulière après la mise en marche, s'arrête éventuellement et émet éventuellement trois signaux sonores.	L'outil électroportatif a d'abord été appliqué sur la surface puis mis en marche.	Mettre l'outil électroportatif en marche avant de l'appliquer sur la surface.
L'outil électroportatif ne fonctionne pas. Éventuellement, l'outil électroportatif émet trois signaux sonores et la LED est allumée en rouge.	La protection contre le redémarrage est activée.	Coupure de l'alimentation électrique due par ex. à une panne de courant ou au débranchement de la fiche secteur. Éteindre et rallumer l'outil électroportatif.
	Le câble de raccordement secteur plug-it n'est pas branché correctement.	Vérifier si le raccord à baïonnette du câble de raccordement secteur plug-it est complètement fermé et verrouillé.
	Protection contre les surcharges	Exercer moins de pression sur l'outil électroportatif, desserrer le blocage du plateau de ponçage ou diminuer le débit d'aspiration.
	Autres causes	Consulter l'état de la machine avec l'application Festool Work (voir chapitre 8.8) et suivre les recommandations de l'application.

Problème	Causes possibles	Solutions
LED clignote en violet et les fonctions Bluetooth® de l'outil électroportatif ne sont pas disponibles.	La mise à jour logicielle a été interrompue ou la mise à jour logicielle a échoué.	Redémarrer la mise à jour logicielle avec l'application Festool Work.
La lampe rasante ne s'allume pas au démarrage de l'outil électroportatif et la LED s'allume éventuellement en vert.	Fonction de démarrage automatique de la lampe rasante désactivée dans l'application Festool Work.	Passer aux réglages usine, voir chapitre 8.8 ou voir l'application Festool Work.
	La lampe rasante est défectueuse.	Faire remplacer la lampe rasante par un atelier de service après-vente agréé.

Si d'autres problèmes que ceux mentionnés apparaissent, veuillez contacter votre atelier de service après-vente Festool ou votre revendeur spécialisé, voir chapitre 10 .




Índice de contenidos

1	Sobre este manual.....	44
2	Símbolos.....	44
3	Indicaciones de seguridad.....	45
4	Uso conforme a lo previsto.....	48
5	Datos técnicos.....	48
6	Componentes de la herramienta.....	49
7	Puesta en servicio.....	49
8	Ajustes.....	51
9	Trabajo con la herramienta eléctrica.....	56
10	Mantenimiento y limpieza.....	58
11	Accesorios.....	58
12	Medio ambiente.....	59
13	Observaciones generales.....	60
14	Reparación de averías.....	61






1 Sobre este manual

Guarde estas instrucciones

Es importante que usted lea y entienda este manual. La información que contiene se relaciona con la protección de **su seguridad y la prevención de problemas**. Los símbolos que siguen se utilizan para ayudarlo a reconocer esta información.

	PELIGRO	Descripción de peligro inminente y fracaso para evitar riesgos que podran causar la muerte.
	ADVERTENCIA	Descripción de peligro y posibles lesiones resultantes o la muerte.
	PRECAUCIÓN	Descripción de peligro y posibles lesiones resultantes.
	AVISO	Descripción de los posibles daños en el dispositivo o en su entorno.

2 Símbolos

	Aviso de peligro general
	Peligro de electrocución
	¡Leer el manual de instrucciones y las indicaciones de seguridad!
	Usar protección para los oídos
	Utilizar protección respiratoria.



Utilizar gafas de protección



Desenchufar



Conexión del cable de conexión a la red eléctrica



Desconexión del cable de conexión a red



¡ATENCIÓN! No mire al haz de luz directamente!



Clase de protección II



La herramienta cuenta con un chip para el almacenamiento de datos. Ver apartado [13.1](#)



Consejo, indicación



Guía de procedimiento

Hz

hertzios

W

vatios

V

voltios

~
a.c.

tensión alterna

n_0

revoluciones por minuto en vacío

rpm
min⁻¹

revolutiones por minuto

lb.

libras

kg

kilogramo



diámetro

mm

milímetro

m

metro

"

pulgada

3 Indicaciones de seguridad

3.1 Indicaciones de seguridad generales para herramientas eléctricas



¡ADVERTENCIA! Leer todas las indicaciones de seguridad, instrucciones, ilustraciones y datos técnicos que acompañan a esta herramienta eléctrica. Si no se cumplen debidamente las instrucciones siguientes, puede producirse una descarga eléctrica, quemaduras o lesiones graves.

Guarde todas las indicaciones de seguridad e instrucciones para que sirvan de futura referencia.

El término «herramienta eléctrica» empleado en las indicaciones de seguridad hace referencia a herramientas eléctricas conectadas a la red eléctrica (con un cable de red) o a herramientas eléctricas alimentadas con batería (sin cable de red).

1 SEGURIDAD EN EL LUGAR DE TRABAJO

- a. **Mantenga su zona de trabajo limpia y bien iluminada.** El desorden o la falta de iluminación en las zonas de trabajo pueden dar lugar a accidentes.
- b. **No trabaje con la herramienta eléctrica en entornos potencialmente explosivos donde se encuentren líquidos, gases o polvos inflamables.** Las herramientas eléctricas producen chispas que pueden inflamar el polvo o los vapores.
- c. **Mantenga a niños y adultos alejados de la herramienta eléctrica durante el uso.** Si se distrae, puede perder el control de la herramienta eléctrica.

2 SEGURIDAD ELÉCTRICA

- a. **El conector de la herramienta eléctrica debe encajar en el enchufe. El conector no debe modificarse en modo alguno. No utilice conectores adaptadores con herramientas eléctricas con puesta a tierra.** Unos conectores intactos y unos enchufes adecuados reducen el riesgo de descarga eléctrica.
- b. **Evite el contacto físico con superficies con puesta a tierra como las de tuberías, calefacciones, cocinas y frigoríficos.** Existe un riesgo elevado de descarga eléctrica si su cuerpo está en contacto con la tierra.
- c. **Mantenga las herramientas eléctricas lejos de la lluvia y la humedad.** La penetración de agua en una herramienta eléctrica aumenta el riesgo de descarga eléctrica.

- d. **No utilice el cable de conexión para transportar o colgar la herramienta eléctrica ni para extraer el conector del enchufe. Mantenga el cable de conexión alejado del calor, aceite, cantos afilados o piezas en movimiento.** Los cables de conexión dañados o enredados aumentan el riesgo de descarga eléctrica.
- e. **Si trabaja con una herramienta eléctrica al aire libre, utilice únicamente alargadores aptos para el uso en exteriores.** El empleo de alargadores aptos para el uso en exteriores reduce el riesgo de descarga eléctrica.
- f. **Cuando sea inevitable el uso de la herramienta eléctrica en un entorno húmedo, utilice un interruptor diferencial.** El uso de un interruptor diferencial reduce el riesgo de que se produzca una descarga eléctrica.

3 SEGURIDAD DE LAS PERSONAS

- a. **Sea cuidadoso, preste atención a lo que está haciendo y actúe con prudencia al trabajar con herramientas eléctricas. No utilice ninguna herramienta eléctrica si está cansado o bajo los efectos de drogas, alcohol o medicamentos.** Una mínima distracción mientras está utilizando la herramienta eléctrica puede ocasionarle graves lesiones.
- b. **Lleve puesto el equipo de protección individual y utilice gafas de protección en todo momento.** El empleo del equipamiento de protección personal como p. ej. mascarilla, guantes de seguridad antideslizantes, casco o protección de oídos, según el tipo y la aplicación de la herramienta eléctrica, reduce el riesgo de lesiones.
- c. **Evite un arranque accidental de la herramienta. Asegúrese de que está desconectada antes de conectarla al suministro de corriente o la batería, recogerla o transportarla.** Existe peligro de accidente si transporta la herramienta eléctrica con el dedo sobre el interruptor o si conecta la herramienta eléctrica a la red estando encendida.
- d. **Retire las herramientas de ajuste y las llaves de tornillos antes de conectar la herramienta eléctrica.** Si una herramienta o llave se encuentra en una pieza en movimiento de la herramienta eléctrica, pueden producirse lesiones.
- e. **Evite una postura anormal del cuerpo. Procure un apoyo seguro y mantenga el**

- equilibrio en todo momento.** De esta manera podrá controlar mejor la herramienta eléctrica en situaciones inesperadas.
- f. **Utilice ropa adecuada. No utilice ropa ancha ni objetos de joyería o bisutería. Mantenga el pelo y la ropa alejados de las piezas en movimiento.** La ropa holgada, las joyas o el pelo largo pueden quedar atrapados por piezas en movimiento.
- g. **Si se montan dispositivos de aspiración o recogida de polvo, estos deberán conectarse y utilizarse correctamente.** El empleo de un sistema de aspiración del polvo puede disminuir los peligros a causa del polvo.
- h. **No se cree un falso sentido de la seguridad ni ignore las normas de seguridad de las herramientas eléctricas, ni siquiera si está muy familiarizado con el uso de la herramienta.** Una distracción durante el manejo puede derivar en graves lesiones en cuestión de pocas fracciones de segundo.

4 USO Y MANEJO DE LA HERRAMIENTA ELÉCTRICA

- a. **No sobrecargue la herramienta eléctrica. Utilice la herramienta eléctrica adecuada para el trabajo que va a realizar.** Con la herramienta apropiada trabajará mejor y más seguro en el rango de potencia especificado.
- b. **No utilice ninguna herramienta eléctrica cuyo interruptor esté defectuoso.** Una herramienta eléctrica que no se pueda conectar o desconectar resulta peligrosa y es necesario repararla.
- c. **Extraiga el conector del enchufe o retire la batería extraíble antes de efectuar los ajustes de la herramienta, cambiar piezas o guardar la herramienta eléctrica.** Esta medida de seguridad impide el arranque accidental de la herramienta eléctrica.
- d. **Mantenga las herramientas eléctricas que no esté utilizando fuera del alcance de los niños. No permita que la herramienta eléctrica sea utilizada por personas que no estén familiarizadas con ella o no hayan leído las presentes indicaciones.** Las herramientas eléctricas en manos inexpertas pueden ser peligrosas.
- e. **Trate las herramientas eléctricas y las herramientas intercambiables con cuidado. Compruebe si las partes móviles funcionan correctamente y no se atascan, y si hay piezas rotas o tan deterioradas que**

podrían mermar el funcionamiento de la herramienta eléctrica. Haga reparar las piezas deterioradas antes de usar la herramienta eléctrica. Muchos accidentes tienen su origen en un mantenimiento deficiente de las herramientas eléctricas.

- f. **Mantenga las herramientas cortantes limpias y afiladas.** Las herramientas cortantes bien cuidadas con aristas de corte afiladas se atascan menos y se guían más fácilmente.
- g. **Utilice la herramienta eléctrica, las herramientas intercambiables, etc., de acuerdo con estas instrucciones. Para ello, tenga en cuenta las condiciones de trabajo y la actividad que debe realizar.** El uso de herramientas eléctricas en aplicaciones diferentes a las previstas puede dar lugar a situaciones peligrosas.
- h. **Mantenga las superficies de agarre y los mangos secos, limpios y libres de aceite y grasa.** Un mango o unas superficies de agarre resbaladizos no permiten un manejo y control seguros de la herramienta eléctrica en situaciones imprevistas.

5 SERVICIO

- a. **Encargue la reparación de su herramienta eléctrica únicamente a personal técnico cualificado y solo con piezas de recambio originales.** De esta forma queda garantizada la seguridad de la herramienta eléctrica.
- b. **Utilice exclusivamente piezas originales para la reparación y el mantenimiento de la herramienta.** El uso de accesorios o piezas de recambio no previstos puede producir descargas eléctricas o lesiones.

3.2 Indicaciones de seguridad específicas


- **Esta herramienta eléctrica debe utilizarse como lijadora con abrasivo. Leer todas las indicaciones de seguridad, instrucciones, representaciones y datos recibidos junto con la herramienta.** De no respetar todas las siguientes instrucciones, podría producirse una descarga eléctrica, un incendio o lesiones graves.
- **No utilizar ninguna herramienta insertable que no haya sido prevista y recomendada por el fabricante específicamente para esta herramienta eléctrica.** Solo por el hecho de que pueda fijar la herramienta insertable a su herramienta eléctrica, no quiere decir que esté garantizado un empleo seguro.

- **El diámetro exterior y el grosor de la herramienta insertable deben corresponderse con los datos de dimensiones de su herramienta eléctrica.** Las herramientas insertables medidas incorrectamente no se pueden proteger o controlar suficientemente.
 - **No utilice herramientas dañadas. Antes de cada uso, comprobar que las herramientas insertables, p. ej., los abrasivos, no estén fragmentadas ni presenten grietas, y que los platos lijadores no estén agrietados, desgastados o muy consumidos. Si la herramienta eléctrica o la herramienta insertable se cae, compruebe si está dañada o utilice una herramienta insertable no dañada.**
 - **Utilice un equipo de protección individual. En función de la aplicación utilice protección completa para la cara, protección ocular o gafas de protección. En la medida en que sea razonable, lleve mascarilla, protección de oídos, guantes de protección o delantal especial que mantengan alejadas las partículas pequeñas del lijado y del material.** Hay que proteger los ojos de aquellos elementos extraños que salen volando y que se producen en las diferentes aplicaciones. La mascarilla antipolvo o de protección respiratoria tiene que filtrar el polvo originado durante la aplicación. Si usted se expone a un fuerte ruido de manera prolongada, podrá padecer una pérdida auditiva.
 - **Procurar que las demás personas se sitúen a una distancia segura respecto a su área de trabajo. Toda persona que entre en el área de trabajo debe utilizar un equipo de protección individual.** Los fragmentos de la pieza de trabajo o las herramientas insertables rotas pueden salir despedidos y causar lesiones también fuera del área de trabajo inmediata.
 - **Sujete la herramienta eléctrica únicamente por las zonas de agarre aisladas, ya que la superficie de lijado podría entrar en contacto con el cable de conexión.** Los daños en un cable eléctrico pueden poner bajo tensión las piezas metálicas de la máquina y provocar una descarga eléctrica.
 - **Mantener el cable de red alejado de herramientas insertables giratorias.** Si pierde el control sobre la herramienta eléctrica, podría cortarse o arrastrarse el cable de red, y su mano o su brazo podrían verse impulsados hacia la herramienta insertable que está girando.
 - **No depositar nunca la herramienta eléctrica antes de que la herramienta insertable se haya parado por completo.** La herramienta insertable que está girando puede entrar en contacto con la superficie para depositar objetos, de manera que podría perder el control sobre la herramienta eléctrica.
 - **No dejar en marcha la herramienta eléctrica mientras la lleva.** Su ropa podría verse arrastrada por el contacto casual con la herramienta insertable que está girando y la herramienta insertable podría perforarle el cuerpo.
 - **Limpiar periódicamente las ranuras de ventilación de la herramienta eléctrica.** El ventilador del motor atrae polvo a la carcasa, y una fuerte acumulación de polvo de metal puede causar peligros eléctricos.
 - **No emplee herramientas insertables que requieran refrigerantes líquidos.** El empleo de agua u otros refrigerantes líquidos puede provocar una descarga eléctrica.
- ### 3.3 Otras indicaciones de seguridad
-
- **Al trabajar puede generarse polvo perjudicial/tóxico (p. ej., de pintura de plomo y de algunos tipos de madera).** El contacto o la inhalación de este polvo pueden suponer una amenaza para la persona que realiza el trabajo o para aquellas que se encuentren cerca. Observe las normativas de seguridad vigentes en su país. Conecte la herramienta eléctrica a un equipo de aspiración apropiado.
 - **Por el bien de su salud, utilice como mínimo una mascarilla de protección respiratoria con filtro P2. En espacios cerrados, procurar una ventilación suficiente.**
 - **Utilice un interruptor diferencial o un transformador aislador cuando sea inevitable utilizar la herramienta eléctrica en un ambiente húmedo.** El interruptor diferencial/transformador aislador le protege frente a una electrocución que puede ser mortal en caso de que se produzca una descarga eléctrica.
 - Si durante el lijado se genera polvo explosivo o autoinflamable, deberán observarse las indicaciones del fabricante relativas al trabajo con dicho material.
 - **¡Atención: peligro de incendio! Evitar un sobrecalentamiento del material de lijado y de la lijadora. Vaciar siempre el conte-**

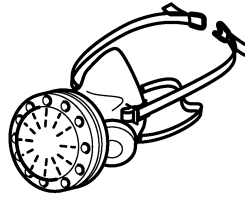
nedor para polvo antes de las pausas en el trabajo. En condiciones desfavorables, el polvo resultante del lijado acumulado en la bolsa filtrante o en el filtro del sistema móvil de aspiración puede inflamarse, p. ej., si se proyectan chispas al lijar. Se puede producir una situación especialmente peligrosa si el polvo resultante del lijado se mezcla con restos de pintura o poliuretano, o bien con otras sustancias químicas, y el material de lijado está caliente después de un trabajo prolongado.

- **Se prohíbe su uso para mecanizar metales y materiales que contengan amianto.** Al trabajar metales se pueden generar chispas en el saco para polvo, lo cual incrementa el riesgo de incendio.
- **Sujetar bien la herramienta eléctrica con ambas manos al trabajar con ella y asegurarse de que se cuenta con un apoyo estable.** La herramienta eléctrica se guía de forma segura con las dos manos; ver el capítulo 9.2.
-  **Peligro de daños por radiación luminosa. No mire al haz de luz durante mucho tiempo. No dirija nunca el haz de luz hacia otras personas o hacia animales.** La radiación óptica puede provocar lesiones en los ojos.
- **Utilizar siempre un tubo flexible de aspiración antiestático (AS) con la herramienta eléctrica.** Una descarga eléctrica leve puede causar momentáneamente un susto y perturbar la atención, lo cual puede desembocar en un accidente.
- **Utilizar solo platos lijadores originales de Festool.** Los platos de otros fabricantes se pueden romper.

3.4 Riesgos para la salud producidos por el polvo

 **ADVERTENCIA!** algunos polvos creados por lijadoras motorizadas, aserraderos, trituradores, perforadoras y otras actividades de construcción contienen sustancias químicas que se sabe (en el Estado de California) causan cáncer, defectos de nacimiento u otros daños al sistema reproductivo. Algunos ejemplos de estas sustancias químicas son:

- Plomo de las pinturas con base de plomo,
- Sílice cristalino de los ladrillos y cemento y otros productos de mampostería, y
- Arsénico y cromo de madera tratada con sustancias químicas.



El riesgo de exposición a estas sustancias varía, dependiendo de cuantas veces se hace este tipo de trabajo. Para reducir el contacto con estas sustancias químicas: trabaje en un área con buena ventilación y trabaje con equipo de seguridad aprobado, como mascarillas para el polvo diseñadas específicamente para filtrar partículas microscópicas.



ADVERTENCIA

PARA REDUCIR EL RIESGO DE LESIÓN, EL USUARIO DEBE LEER EL MANUAL DE INSTRUCCIÓN.

4 Uso conforme a lo previsto

La lijadora de pared está concebida para lijar paredes de construcción en seco enmasilladas, techos y paredes interiores, y para eliminar restos de papel pintado y capas de pintura en interiores.

Pueden utilizarse un máximo de dos tubos de prolongación.

La lijadora de pared **no** es adecuada para lijar en húmedo ni para trabajos con aceite o agentes de pulir.

Tampoco es adecuada para aplicaciones industriales con un uso permanente.



El usuario será responsable de cualquier utilización indebida.

5 Datos técnicos

Lijadora de pared	LHS 2 225 EQ1
Potencia	400 W
Número de revoluciones (marcha en vacío)	5.000 - 8.500 min ⁻¹
Órbita	5/32" (4 mm)
Diámetro del plato lijador	8-21/32" (220 mm)
Diámetro del abrasivo	8-27/32" (225 mm)
Conexión para la aspiración de polvo	1-7/16" (1-1/16"), 36 mm (27 mm)
Frecuencia	2402 Mhz - 2480 Mhz

Lijadora de pared	LHS 2 225 EQI
Potencia isotrópica radiada equivalente (PIRE)	<10 dBm
Longitud de la versión corta (sin tubo de prolongación)	47" (1.2 m)
Longitud de la versión larga (con tubo de prolongación)	65" (1.65 m)
Peso según procedimiento EPTA 01:2014	
Versión larga (con tubo de prolongación)	10.4 lbs (4.7 kg)
Versión corta (sin tubo de prolongación)	8.8 lbs (4 kg)

6 Componentes de la herramienta

- [1-1] Pieza de agarre
- [1-2] Tecla Bluetooth®
- [1-3] Indicador LED
- [1-4] Tecla de luz rasante
- [1-5] Interruptor de conexión y desconexión
- [1-6] Mango en T
- [1-7] Clip del tubo flexible
- [1-8] Empuñadura
- [1-9] Regulación del número de revoluciones
- [1-10] Conexión plug-it
- [1-11] Racor de aspiración
- [1-12] Bloqueo de los manguitos de aspiración
- [1-13] Palanca de bloqueo
- [1-14] Tubo de prolongación
- [1-15] Regulador de succión
- [1-16] Cabezal rectificador
- [1-17] Luz rasante
- [1-18] Plato lijador
- [1-19] Interface-Pad
- [1-20] Cable plug-it de conexión a la red eléctrica
- [1-21] Superficies de agarre con aislamiento

Las imágenes con la dotación de suministro se encuentran en una hoja desplegable al comienzo de este manual de instrucciones. Cuando lea este manual, le recomendamos que despliegue esta página para disponer fácilmente de una vista general de la máquina.

7 Puesta en servicio



ADVERTENCIA

Peligro de lesiones y electrocución

- Desconectar el enchufe de la red antes de realizar cualquier trabajo en la máquina.

7.1 Montaje/desmontaje



ADVERTENCIA

Montaje incorrecto

Peligro de lesiones por caída de piezas y pérdida de control

- Antes de encender la herramienta eléctrica, asegurarse de que todas las palancas de bloqueo estén completamente cerradas.

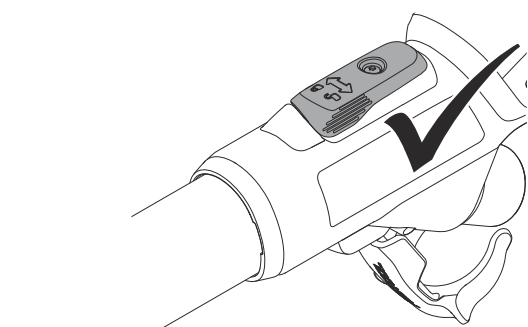
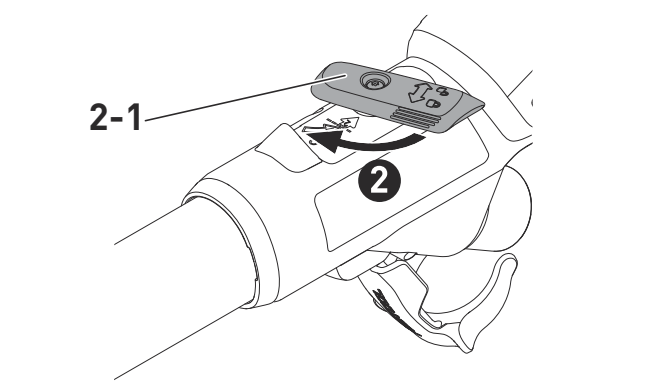
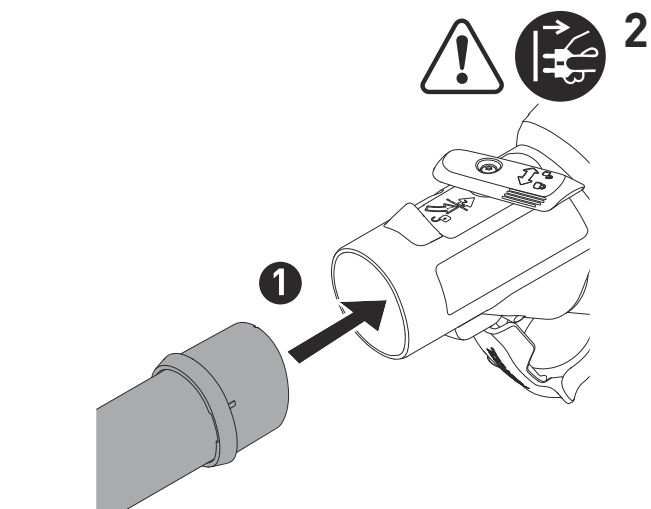
Montaje [2]

La lijadora de pared está formada por una pieza de agarre LHS 2 225 EQI [1-1], un máximo de dos tubos de prolongación EXT-LHS 2 225 [1-14] y un cabezal rectificador TOP-LHS 2 225 [1-16].

- ❶ Insertar el extremo del tubo del cabezal rectificador hasta el tope en la abertura de la pieza de agarre.
- ❷ Girar la palanca de bloqueo [2-1] hasta el tope en dirección al cabezal rectificador.
- Intentar separar la pieza de agarre y el cabezal rectificador para comprobar si están bien unidos.

La pieza de agarre y el cabezal rectificador están firmemente unidos.

Montar los tubos de prolongación de la misma manera que la pieza de agarre.

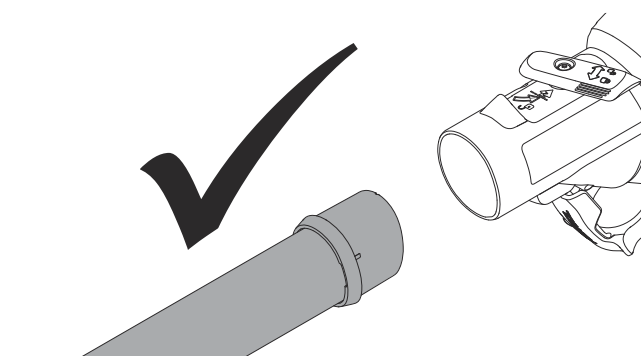
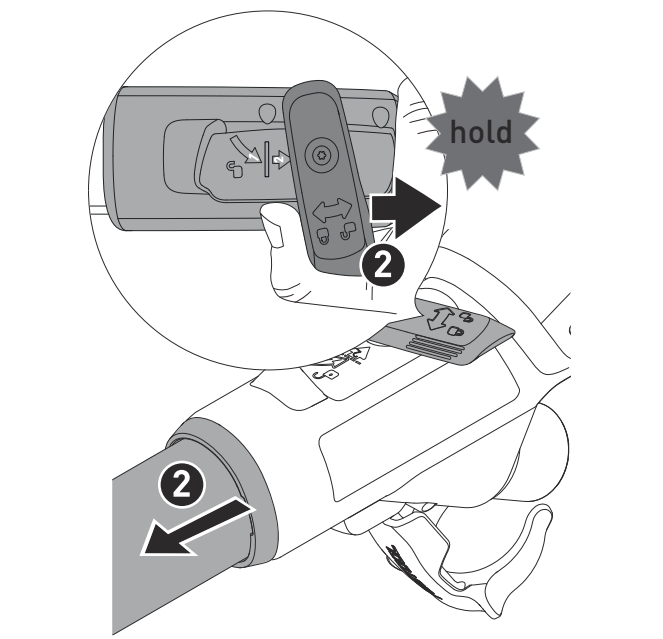
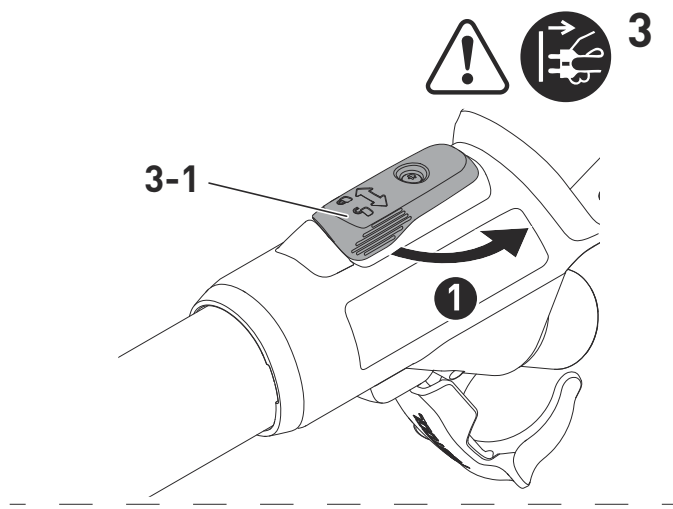


Desmontaje [3]

- ▶ ① Abrir la palanca de bloqueo [3-1].
- ▶ ② Seguir girando la palanca de bloqueo [3-1] en dirección al extremo de la pieza de agarre y mantenerla en esta posición. Al mismo tiempo separar el cabezal rectificador y la pieza de agarre.

El cabezal rectificador y la pieza de agarre están separados y pueden guardarse en el Systainer.

Desmontar los tubos de prolongación de la misma manera que la pieza de agarre.



7.2 Conexión



ADVERTENCIA

Tensión o frecuencia no permitida Peligro de accidente

- ▶ La tensión de red y la frecuencia de la red eléctrica deben coincidir con los datos que figuran en la placa de tipo.
- ▶ En Norteamérica solo pueden utilizarse las máquinas Festool con una tensión de 120 V/60 Hz.

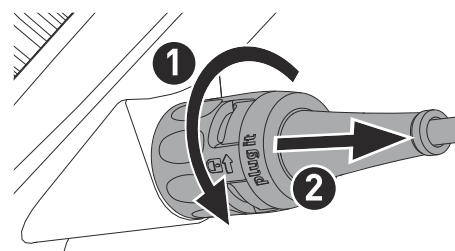
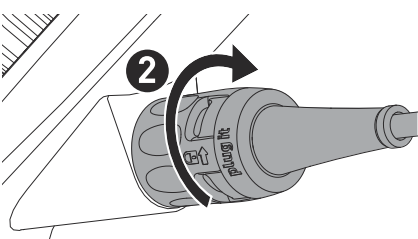
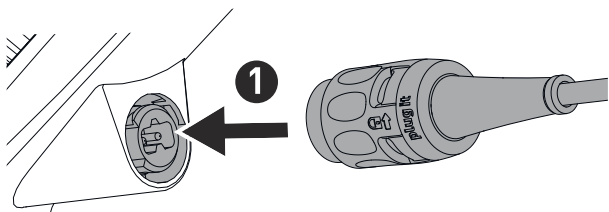


PRECAUCIÓN

Calentamiento de la conexión plug-it porque el cierre de bayoneta no está completamente blo-queado

Peligro de quemaduras

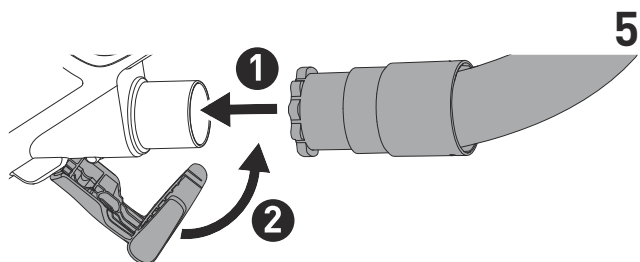
- ▶ Antes de conectar la herramienta eléctrica, asegúrese de que el cierre de bayoneta del cable de conexión a la red eléctrica esté completamente cerrado y bloqueado.
- ▶ Conectar y desconectar el cable de conexión a la red eléctrica - [4].



2

- ▶ Conectar el tubo flexible de aspiración [5]; ver también el capítulo 8.6 .

El tubo flexible de aspiración PLANEX garantiza una fijación duradera y una mejor protección contra doblado gracias al manguito de aspiración especial.



2

5

7.3 Encendido y apagado

Interruptor de conexión y desconexión [1-5]

I = encendido, 0 = apagado

8 Ajustes



ADVERTENCIA

Peligro de lesiones y electrocución

- ▶ Desconectar el enchufe de la red antes de realizar cualquier trabajo en la máquina.

8.1 Motor y sistema electrónico

La herramienta eléctrica está equipada con un motor EC-TEC sin escobillas para una larga vida útil y un sistema electrónico con las propiedades siguientes:

Arranque suave

El arranque suave regulado electrónicamente garantiza un arranque sin sacudidas de la herramienta eléctrica.

Regulación del número de revoluciones

El número de revoluciones puede ajustarse con la rueda de ajuste [1-9] de modo continuo dentro de la gama de revoluciones (ver el capítulo 5). De este modo puede adaptarse perfectamente la velocidad de lijado a cada material.

Número de revoluciones constante

El número preseleccionado de revoluciones del motor se mantiene constante gracias a un sistema electrónico. De esta manera se alcanza una velocidad de lijado constante si la herramienta se utiliza conforme a las especificaciones (fuerza de aplicación adecuada).

Protección contra sobrecalentamiento

Para evitar un sobrecalentamiento de la herramienta eléctrica, el consumo de potencia se limita cuando la temperatura es demasiado alta (p. ej., cuando se ejerce demasiada presión durante el trabajo). En caso de que la temperatura siga aumentando, la herramienta eléctrica se desconecta. Solo puede volverse a conectar una vez enfriada la herramienta eléctrica.

Protección de sobrecarga

Si el plato lijador está bloqueado o el motor sobrecargado, la herramienta eléctrica se apaga; ver el capítulo 14 .

8.2 Cambio del abrasivo [6]



PRECAUCIÓN

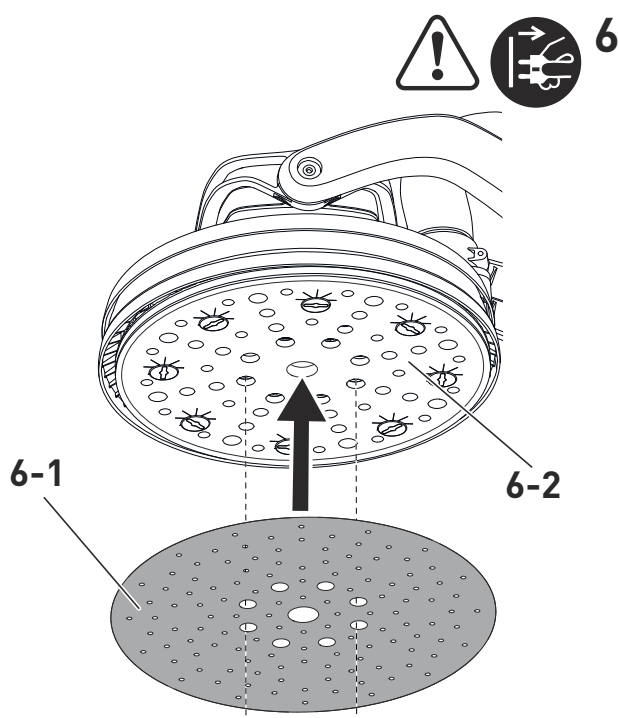
Menor rendimiento de aspiración y aumento de la carga de polvo

Consecuencias perjudiciales para la salud a causa del polvo

- ▶ La disposición de los orificios del abrasivo debe coincidir con la disposición de los orificios de la Interface-Pad.
- ▶ Utilizar solo abrasivos recomendados con la disposición de los orificios adecuada.

Sobre la Interface-Pad se pueden fijar rápida y fácilmente los abrasivos StickFix adecuados.

- ▶ Presionar el abrasivo [6-1] sobre la Interface-Pad [6-2].



8.3 Cambio de la Interface-Pad [7]



PRECAUCIÓN

Disminución de la adherencia de la capa StickFix

Peligro de lesiones por piezas despedidas

- ▶ Comprobar periódicamente el desgaste de la capa StickFix de la Interface-Pad y del abrasivo.
- ▶ Sustituir la Interface-Pad/el abrasivo con la capa StickFix desgastada.

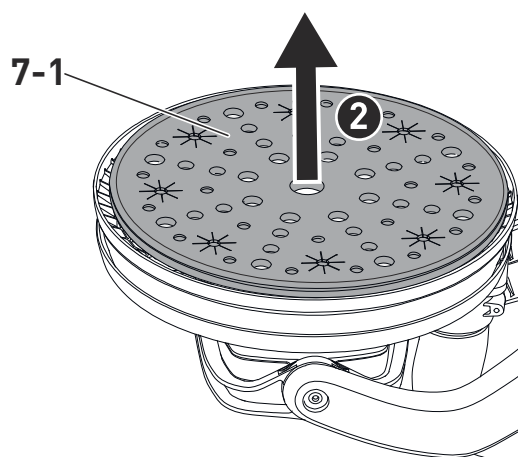
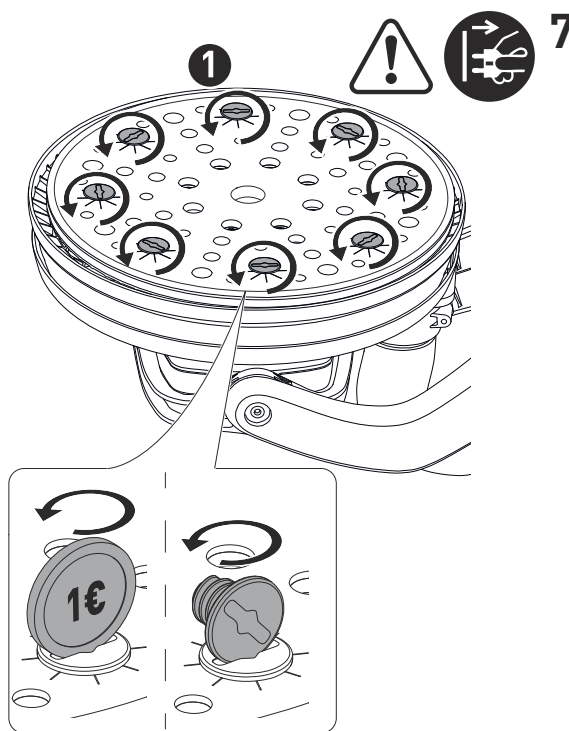
La Interface-Pad está fijada al plato lijador con ocho tornillos.

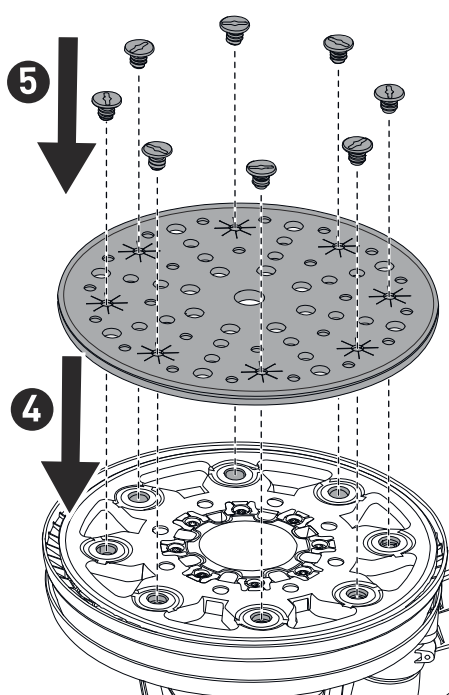
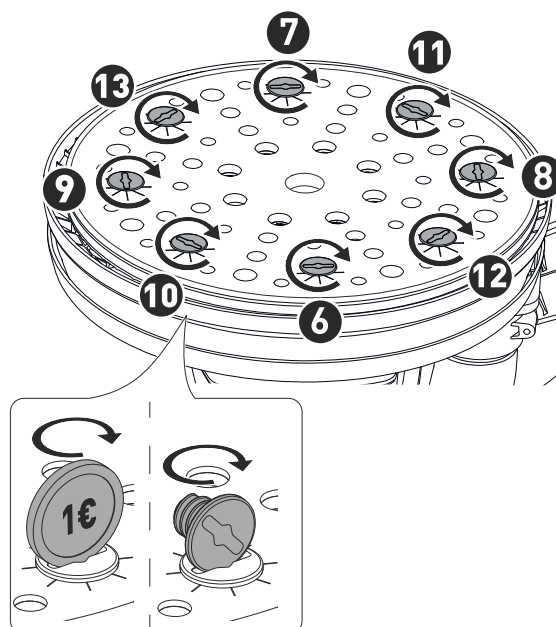
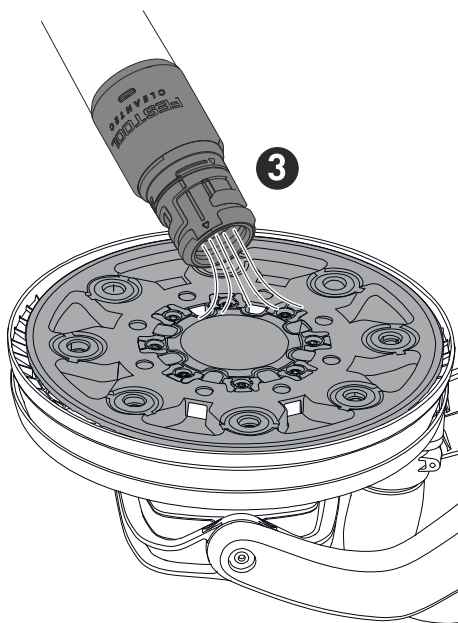
- ▶ Retirar el abrasivo.

- ▶ ❶ Aflojar los tornillos con una cabeza de tornillo o una moneda (p. ej., un euro) en el sentido contrario a las agujas del reloj.
- ▶ ❷ Quitar la Interface-Pad [7-1].
- ▶ ❸ Aspirar el plato lijador y, si es necesario, limpiarlo con una brocha.
- ▶ ❹ Colocar la nueva Interface-Pad en el plato lijador.
- ▶ ❺ Colocar sucesivamente los ocho tornillos.

La Interface-Pad está perfectamente alineada.

- ▶ ❻ - ❸ Apretar todos los tornillos en cruz en el sentido de las agujas del reloj.





8.4 Cambio del plato lijador [8]



PRECAUCIÓN

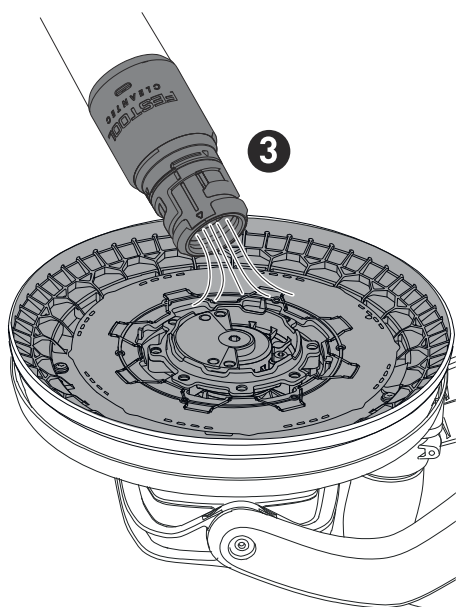
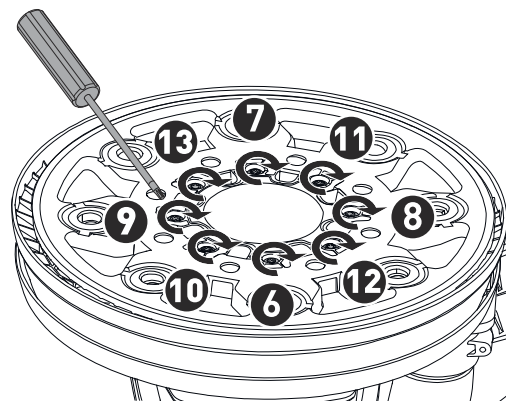
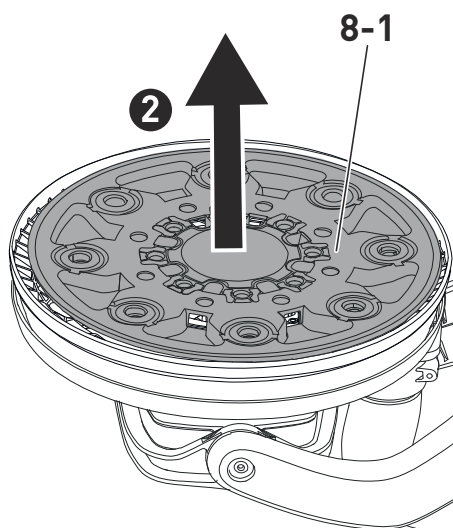
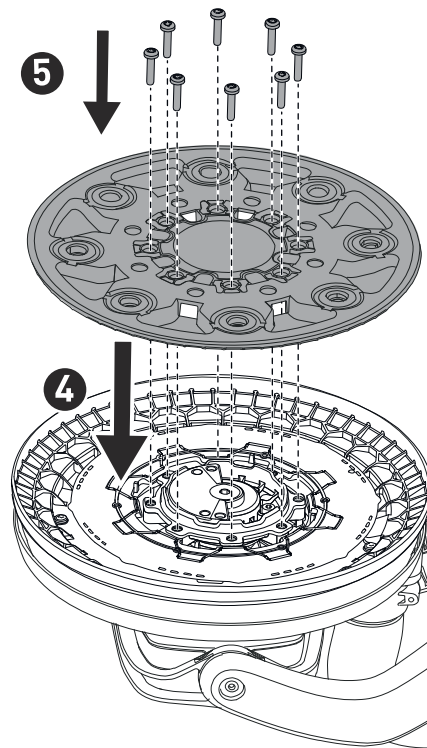
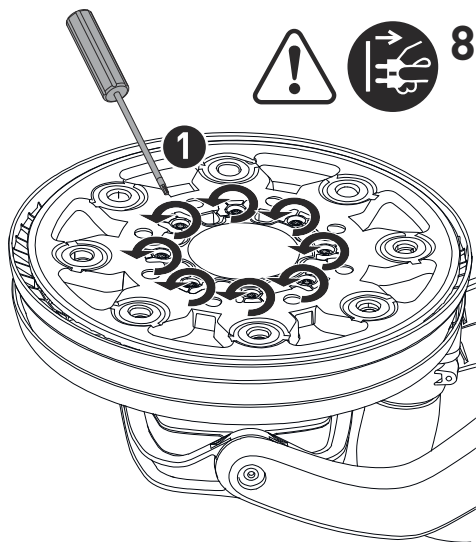
Plato lijador desgastado, el plato lijador gira a gran velocidad

Peligro de lesiones por piezas despedidas

- ▶ Comprobar periódicamente el desgaste del plato lijador.
- ▶ Si es necesario, cambiar el plato lijador.

El plato lijador está fijado a la herramienta eléctrica con ocho tornillos.


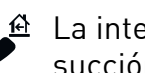
- ▶ Retirar el abrasivo y la Interface-Pad; ver el capítulo 8.2 y 8.3.
- ▶ **1** Aflojar los tornillos en sentido contrario a las agujas del reloj con un destornillador adecuado.
- ▶ **2** Retirar el plato lijador **[8-1]** con cuidado tirando ligeramente. Asegurarse de que no caiga suciedad en la carcasa de la excéntrica.
- ▶ **3** Aspirar las partículas de suciedad si fuera necesario.
- ▶ **4** Colocar el nuevo plato lijador de manera que las aberturas del plato lijador coincidan con las roscas de los tornillos.
- ▶ **5** Colocar sucesivamente los ocho tornillos.
- ▶ **6** - **13** Apretar todos los tornillos en cruz en el sentido de las agujas del reloj y comprobar que estén bien sujetos.



8.5 Ajuste de la potencia de succión

La lijadora de pared puede adherirse por succión a la superficie de lijado, favoreciendo así un trabajo sin fatiga.

- ▶ Ajustar una potencia de succión baja.
- ▶ Encender primero la herramienta eléctrica y a continuación apoyarse en la superficie de lijado.
- ▶ Aumentar poco a poco la potencia de succión hasta que se aprecie una mayor presión de apriete.

  La intensidad de la potencia de succión puede adaptarse a la superficie de lijado por medio del regulador [1-15].



Techo
Potencia de succión máxima



Pared
Potencia de succión mínima

- ⓘ Si se selecciona una potencia de succión demasiado alta, puede producirse un sobrecalentamiento de la herramienta eléctrica, un mal comportamiento de guiado o una calidad superficial deficiente.

8.6 Aspiración



ADVERTENCIA

Consecuencias perjudiciales para la salud a causa del polvo

- ▶ No trabajar nunca sin sistema de aspiración.
- ▶ Observar las disposiciones nacionales.
- ▶ Utilizar protección respiratoria.

La herramienta eléctrica no dispone de aspiración propia. Por eso, en el racor de aspiración [1-11] debe conectarse un sistema móvil de aspiración de Festool con un diámetro del tubo flexible de aspiración de 1-7/16" (36 mm) o 1-1/16" (27 mm) (1-7/16" (36 mm) recomendado por el escaso peligro de obstrucción y su elevado rendimiento de aspiración).

Recomendación: utilizar tubos flexibles de aspiración antiestáticos, pues reducen la carga electrostática.

- ⓘ Para la lijadora de pared, utilizar siempre el sistema móvil de aspiración CTL/M 36 E AC-LHS o CTL/M 36 E AC PLANEX de Festool, puesto que están diseñados específicamente para grandes cantidades de polvo y disponen de función de limpieza.

8.7 Ajuste de la luz rasante

Con la tecla de la luz rasante [1-4] puede encenderse y apagarse la luz rasante con la herramienta eléctrica desconectada. Si la herramienta eléctrica está desconectada, la luz rasante se apaga al cabo de una hora.

Control de la luz rasante a través de la app Work de Festool

Si la herramienta eléctrica está conectada por Bluetooth® con la app Work de Festool (ver capítulo 8.8), se puede configurar la luz rasante.

8.8 Conexión de la herramienta eléctrica por Bluetooth®

Conexión con la app Work de Festool

Con la app Work de Festool se puede configurar la herramienta eléctrica.

- ▶ Pulsar la tecla Bluetooth® [1-2] de la herramienta eléctrica durante aprox. 3 segun-

dos hasta que el indicador LED azul parpadee.

La herramienta eléctrica está disponible para la conexión durante los próximos 60 segundos.

- ▶ Seguir las instrucciones de la app Work de Festool para autorizar la conexión segura.

- ⓘ Pulsando el botón de Bluetooth® se puede cambiar entre los ajustes de fábrica de la herramienta eléctrica y las configuraciones de la app Work de Festool.

Conexión con el sistema móvil de aspiración

- ▶ Activar el modo automático del sistema móvil de aspiración (ver el manual de instrucciones correspondiente).
- ▶ Pulsar una vez la tecla de conexión en el sistema móvil de aspiración o en el pulsador de retirada (ver el manual de instrucciones del sistema móvil de aspiración/módulo receptor de reequipamiento).
- ▶ Encender la herramienta eléctrica.

El sistema móvil de aspiración se pone en marcha y la herramienta eléctrica queda conectada hasta que se apague manualmente el sistema móvil de aspiración o la herramienta eléctrica. La conexión también se interrumpe si otra herramienta eléctrica se conecta por Bluetooth® con el sistema móvil de aspiración.

Indicador LED [1-3]

Indicador LED	Significado
El LED está encendido en verde.	Las configuraciones realizadas en la app Work de Festool están activas, p. ej., se ha atenuado la luz rasante.
El LED parpadea 1 vez en azul.	Al encenderla, la herramienta eléctrica busca un sistema móvil de aspiración disponible para la conexión.
Los LED parpadean en azul.	La herramienta eléctrica puede conectarse con un terminal móvil.
El LED está encendido en azul.	La herramienta eléctrica puede conectarse por Bluetooth® con un terminal móvil o un sistema móvil de aspiración.
LED parpadea en lila.	Modo de actualización de software activo.

Indicador LED	Significado
El LED parpadea en rojo.	La herramienta eléctrica está sobrecalentada; más información en la app Work de Festool y en el capítulo 14.
El LED está encendido en rojo.	Hay un fallo electrónico; más información en la app Work de Festool. Si el fallo persiste, ponerse en contacto con un taller de servicio técnico autorizado.

9 Trabajo con la herramienta eléctrica



ADVERTENCIA

Peligro de lesiones

- Sujetar la herramienta eléctrica siempre con las dos manos por las superficies de agarre indicadas; ver el capítulo 9.2.
- Antes de encender la herramienta eléctrica, asegurarse de que todas las palancas de bloqueo estén completamente cerradas.

9.1 Cable de prolongación

Si se necesita un cable de prolongación, este debe tener una sección transversal suficiente para evitar una caída excesiva de voltaje o un sobrecalentamiento. Una caída excesiva de voltaje reduce la potencia y puede ocasionar un fallo del motor. La siguiente tabla muestra el diámetro correcto del cable para esta herramienta en función de su longitud.

Dimensiones del cable en AWG

Amperaje de la herramienta	Longitud del cable en pies			
	25	50	100	150
3-6	18	16	16	14
6-8	18	16	14	12
8-10	18	16	14	12
10-12	16	16	14	12
12-16	14	12	-	-

Dimensiones del cable en mm²

Amperaje de la herramienta	Longitud del cable en metros			
	15	30	60	120
3-6	0,75	0,75	1,5	2,5
6-8	0,75	1,0	2,5	4,0

Amperaje de la herramienta	Longitud del cable en metros			
	0,75	1,0	2,5	4,0
8-10	0,75	1,0	2,5	4,0
10-12	1,0	2,5	4,0	-
12-16	-	-	-	-

Usar solo cables de prolongación contemplados por el estándar NRTL.

No utilizar nunca dos cables de prolongación juntos. Utilizar uno largo en su lugar.

- ⓘ Cuanto más bajo sea el número AWG, más fuerte será el cable.

9.2 Sujeción correcta de la herramienta eléctrica

Tipo de montaje	Superficie de agarre
Pieza de agarre + cabezal rectificador	Sujetar con una mano por la empuñadura [1-8] / el mango en T [1-6] y con la otra mano por el tubo del cabezal rectificador [1-16].
Pieza de agarre + tubo de prolongación + cabezal rectificador	Sujetar con una mano por la empuñadura [1-8] / el mango en T [1-6] y con la otra mano por el tubo de prolongación [1-14].
Pieza de agarre + 2 tubos de prolongación + cabezal rectificador	Sujetar con una mano por la empuñadura [1-8] / el mango en T [1-6] y con la otra mano por el primer tubo de prolongación [1-11].

9.3 Lijado

- Encender la herramienta eléctrica; ver el capítulo 7.3.
- Apoyar el cabezal rectificador en paralelo a la superficie de lijado.
- Realizar los trabajos de lijado.

Si la herramienta eléctrica emite un pitido triple, significa que hay una avería; para subsanar averías, ver el capítulo 14.

- ⓘ La protección contra re arranque evita que la herramienta se conecte de forma automática tras una caída de la tensión (p. ej. tras un corte de corriente). Tras un corte de corriente, volver a encender la herramienta eléctrica.

- ❗ No ejercer demasiada presión en la herramienta eléctrica para no sobrecargarla. El mejor resultado de lijado se obtiene eligiendo la potencia de succión correcta sin ejercer más presión en la herramienta eléctrica. La calidad y el rendimiento de lijado dependen fundamentalmente de la elección del abrasivo adecuado.

9.4 Trabajo en el techo



ADVERTENCIA

En caso de interrupción de la adhesión por succión

Peligro de lesiones por la caída de la herramienta eléctrica y pérdida de control

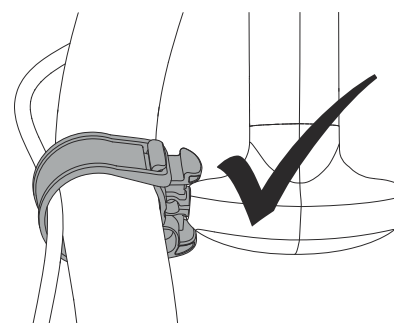
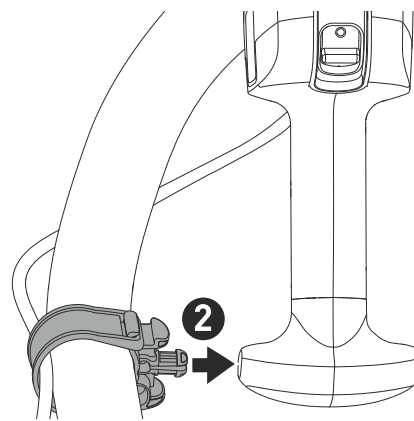
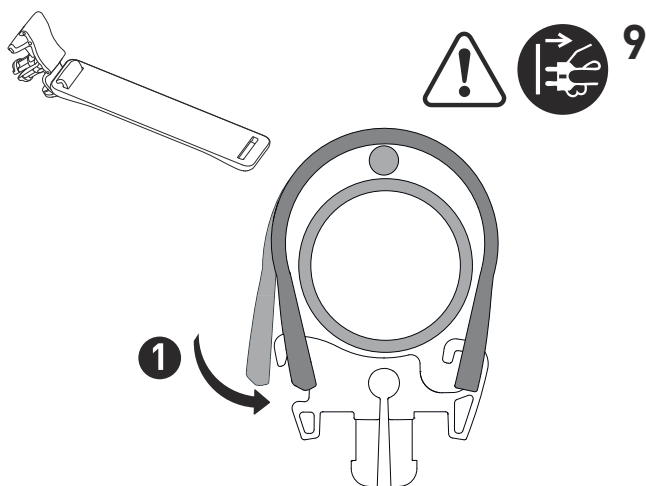
- ▶ Sujetar la herramienta eléctrica siempre con las dos manos por las superficies de agarre indicadas; ver el capítulo 9.2.

Fijación del clip del tubo flexible [9]

El clip del tubo flexible evita que, al trabajar en el techo, el cable plug-it de conexión a la red eléctrica y el tubo flexible de aspiración que cuelgan caigan sobre la mano y limiten la libertad de movimientos.

- ▶ Desconectar el enchufe.
- ▶ ❶ Fijar el clip del tubo flexible al tubo flexible de aspiración y al cable plug-it de conexión a la red eléctrica.
- ▶ ❷ Enganchar el clip del tubo flexible de aspiración a la derecha o la izquierda del mango en T.

- ❗ Cuando el clip del tubo flexible de aspiración está montado, puede desengancharse y engancharse según se trabaje en la pared o el techo.

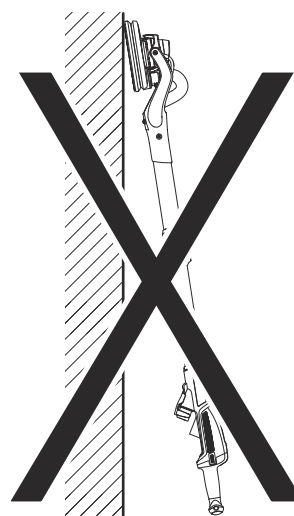


9.5 Al finalizar el trabajo

AVISO

Daños y suciedad en la herramienta eléctrica

- ▶ No depositar la herramienta eléctrica sobre el plato lijador [1-18] ni sobre el mango en T [1-6] - [10].
- ▶ Se debe depositar siempre de lado o utilizar el soporte para herramientas PLANEX sobre el sistema móvil de aspiración.
- ▶ Una vez finalizados los trabajos de lijado, apagar la herramienta eléctrica y depositarla.



10

10 Mantenimiento y limpieza



ADVERTENCIA

Cualquier trabajo de mantenimiento o reparación que requiera abrir el motor o la carcasa del engranaje deberá ser realizado únicamente por un Centro de Atención al Cliente (nombre proporcionado por su concesionario).

- ▶ Los trabajos de mantenimiento o reparación realizados por una persona no autorizada podrían provocar la conexión incorrecta de los conductores de alimentación u otros componentes, lo que a su vez podría provocar accidentes con consecuencias graves.



ADVERTENCIA

Para prevenir los accidentes, antes de realizar cualquier trabajo de mantenimiento o reparación en la máquina retire siempre el enchufe de la toma de corriente.

- ▶ No utilice aire a presión para limpiar las herramientas eléctricas. No intente limpiar las partes internas de la máquina de este modo, ya que podría permitir la entrada de objetos extraños a través de las aperturas de la carcasa de la máquina.



PRECAUCIÓN

Algunos productos de limpieza y disolventes resultan perjudiciales para las piezas de plástico.

- ▶ Algunos de ellos incluyen, entre otros, gasolina, acetona, metiletilacetona (MEK) y oxidocloruro de carbono. Los productos de limpieza normalmente contienen cloro y amoníaco y los productos de limpieza del hogar contienen amoníaco.



El servicio de atención al cliente y de reparaciones solo está disponible a través del fabricante o de los talleres de reparación. Dirección más cercana en: www.festool.es/servicio

servicio



Utilizar solo piezas de recambio Festool originales. Referencia en: www.festool.es/servicio

Comprobar que todas las advertencias de la herramienta eléctrica sean legibles y estén com-

pletas. Reemplazar las advertencias que falten o que no sean legibles.

- Al ponerse en contacto con el servicio de atención al cliente o de reparaciones, indicar siempre el número de serie que figura en la placa de tipo de la pieza de agarre [1-1].
- Comprobar periódicamente el conector y el cable; en caso de presentar daños, solicitar su sustitución a un taller de servicio autorizado.
- No limpiar la herramienta eléctrica con aire comprimido.
- A fin de garantizar una correcta circulación del aire, las aberturas para el aire de refrigeración dispuestas en la carcasa del motor deben mantenerse libres y limpias.
- Aspirar el plato lijador periódicamente.
- Mantener limpios todos los componentes de la herramienta, especialmente los elementos de mando y las aberturas de la carcasa, y limpiarlos periódicamente con una brocha.

10.1 Freno de plato

El freno de plato roza el plato lijador e impide que aumente de forma incontrolada el número de revoluciones del plato lijador. Debido a los pasadores metálicos engastados, el freno de plato no tiene prácticamente desgaste.

A medida que vaya disminuyendo el efecto de frenado, comprobar primero el desgaste del plato lijador y sustituirlo si es preciso; ver el capítulo 8.4.

Si el freno de plato está dañado, encargar la sustitución a un taller de servicio técnico autorizado.

11 Accesorios

Utilice únicamente los accesorios Festool originales y el material de consumo Festool diseñados para esta máquina, puesto que los componentes de este sistema están óptimamente adaptados entre sí. La utilización de accesorios y material de consumo de otros fabricantes puede afectar a la calidad de los resultados de trabajo y conllevar una limitación de los derechos de la garantía. El desgaste de la máquina o de su carga personal puede variar en función de la aplicación. Utilice únicamente accesorios originales y material de consumo de Festool para su propia protección y la de la máquina, así como de los derechos de la garantía.

Los números de pedido para los respectivos accesorios y herramientas se encuentran en su

catálogo Festool o en la dirección de Internet "www.festoolusa.com".

11.1 SYSTAINER

Systainer

Muchos de los productos Festool se entregan en un embalaje exclusivo denominado "Systainer" que sirve de protección a la herramienta y sus complementos, además de facilitar su almacenamiento. Los Systainer pueden apilarse y encajan unos con otros. Además se adaptan sin problema a cualquier aparato de aspiración CT de Festool.

Para abrir el Systainer


 Gire el T-loc **[SYS-b-1]** a esta posición.

Para cerrar el Systainer

 Gire el T-loc **[SYS-b-1]** a esta posición.

Para encajar dos Systainer

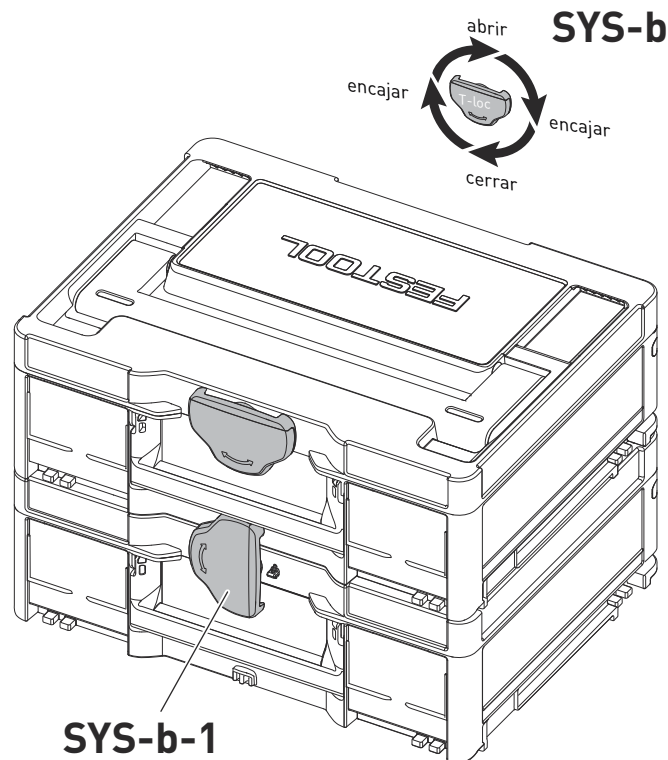
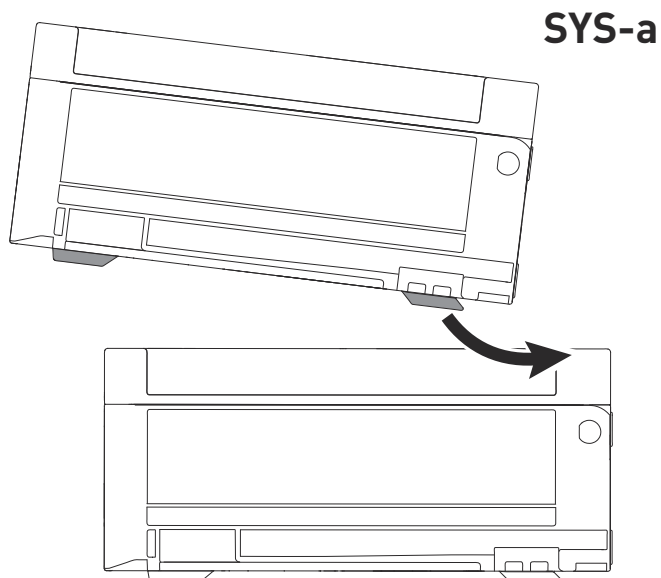
Ponga el Systainer sobre un otro **[SYS-a]**.

 Gire el T-loc **[SYS-b-1]** a una de estas posiciones (Fig. **[SYS-b]**).

Los Systainers están encajados y cerrados.

(i) El Systainer Classic Line se puede unir por la parte inferior con un Systainer T-Loc o con un Systainer³ por medio de sus cuatro enclavamientos

El Systainer T-Loc se puede unir por abajo o por arriba con un Systainer³.



12 Medio ambiente

En la pieza de agarre **[1-1]** hay una pila de botón de litio detrás de la tecla Bluetooth® **[1-2]**.

Antes de la eliminación

Solo por personal cualificado: Retirar la pila de botón de litio de la herramienta. Para ello, desatornillar las piezas de la carcasa y retirar la pila de botón de litio.

No deseche la herramienta junto con los residuos domésticos. Recicle las herramientas, accesorios y embalajes de forma respetuosa con el medio ambiente. Respete la normativa vigente del país.

Reciclaje de baterías



ADVERTENCIA

Riesgo de fuego o daños

- ▶ No intente desarmar la batería ni quitar ninguno de los componentes que sobresalen de las terminales de la batería.
- ▶ Antes de tirarla, proteja las terminales que están al descubierto con cinta adhesiva aislante gruesa para prevenir cortocircuitos.

Las baterías desgastadas o estropeadas deben descargarse, asegurarse para evitar cortocircuitos (p. ej., aislando los polos con cinta aislante) y llevarse a un punto de recogida (se han de tener en cuenta las regulaciones vigentes).

Las baterías deben reciclarse según la normativa vigente.

13 Observaciones generales

13.1 Información relativa a la protección de datos

La herramienta eléctrica contiene un chip que almacena automáticamente los datos de servicio y de la máquina. Los datos guardados no pueden estar directamente relacionados con ninguna persona.

Los datos pueden leerse sin contacto con dispositivos especiales, y Festool los utiliza exclusivamente para el diagnóstico de fallos, la gestión de las reparaciones y de la garantía, así como para la mejora de la calidad o el perfeccionamiento de la herramienta eléctrica. Los datos no se utilizan para otros fines sin el consentimiento expreso del cliente.

13.2 Información mediante Bluetooth®

La herramienta puede conectarse por Bluetooth® con un terminal móvil o un sistema móvil de aspiración. Una vez que la herramienta se conecta mediante Bluetooth® a la app Work de Festool y la conexión segura se autoriza, a partir de ese momento la herramienta se conecta automáticamente a la app Work de Festool. La herramienta envía periódicamente información sobre el estado (ID, estado de funcionamiento, etc.) mediante Bluetooth®.

La marca denominativa Bluetooth® y los logotipos son marcas registradas de Bluetooth SIG, Inc. Por lo tanto, todo uso que TTS Tooltechnic Systems AG & Co. KG y, por consiguiente, también Festool, hagan de dicha marca está sujeto a un contrato de licencia.

13.3 Declaración sobre interferencias de la Comisión Federal de Comunicaciones (FCC)

Nota: Este equipo ha sido sometido a comprobaciones que demuestran que cumple con los límites establecidos para los dispositivos digitales de clase B, de acuerdo con el apartado 15 de las **normas de la FCC**. Estos límites se han establecido para ofrecer una protección razonable contra interferencias cuando el aparato funcione en un entorno residencial. Este equipo genera, utiliza y puede irradiar energía de radiofrecuencia y, si no se instala y se utiliza de acuerdo con las instrucciones suministradas, podría ocasionar interferencias perjudiciales para las comunicaciones por radio. Sin embargo, no existe garantía de que no se produzcan

interferencias en alguna instalación concreta. Si este equipo ocasiona interferencias perjudiciales en la recepción de radio o televisión (lo cual puede comprobarse encendiendo y apagando el equipo), se recomienda que intente corregir la interferencia mediante una de las siguientes acciones:

- Vuelva a orientar o a colocar la antena de recepción.
- Aumente la separación entre el equipo y el receptor.
- Conecte el equipo en una toma de corriente ubicada en un circuito distinto al del receptor.
- Póngase en contacto con el distribuidor o con un técnico de radio y televisión.

Nota: Cualquier cambio o modificación efectuado sin la aprobación expresa de la parte responsable del cumplimiento de la normativa puede anular el derecho del usuario para utilizar el equipo.

13.4 Declaración de conformidad con RSS

Este dispositivo cumple con las normas canadienses RSS para dispositivos exentos de licencia. Su funcionamiento está sujeto a dos condiciones:

- (1) este dispositivo no deberá ocasionar interferencias,
- (2) este dispositivo deberá aceptar cualquier interferencia, incluso aquella que produzca un funcionamiento no deseado del mismo. Este dispositivo y su diseño cumplen con los requisitos para la exposición a RF según lo estipulado en la RSS-102, número 5, para dispositivos portátiles.

13.5 Notas (ISED)

Este aparato digital de la Clase B cumple con las normas canadienses ICES-003 y RSS-210. Su funcionamiento está sujeto a las siguientes dos condiciones:

- (1) este dispositivo no puede causar interferencias,
- (2) este dispositivo deberá aceptar cualquier interferencia, incluso aquella que produzca un funcionamiento no deseado del mismo.

13.6 Información sobre exposición a radiofrecuencia (RF)

La potencia de salida radiada del dispositivo inalámbrico está por debajo de los límites de exposición a radiofrecuencia establecidos por el ISED (Innovation, Science and Economic Development). El dispositivo inalámbrico debe utilizarse de manera que se minimice la posibili-

dad de que exista contacto humano durante el funcionamiento normal.

14 Reparación de averías

Problema	Posibles causas	Solución
La herramienta eléctrica se desplaza de forma irregular/con dificultad por la superficie.	Potencia de succión mal ajustada.	Adaptar la potencia de succión hasta que la causa se haya solucionado; ver el capítulo 8.5 .
	Interface-Pad dañada o deformada.	Sustituir la Interface-Pad; ver el capítulo 8.3 .
	Número de revoluciones ajustado incorrectamente.	Aumentar el número de revoluciones.
La herramienta eléctrica no se mantiene en el techo.	Potencia de succión mal ajustada.	Aumentar la potencia de succión; ver el capítulo 8.5 .
	Grano del abrasivo demasiado basto.	Elegir un grano más fino, p. ej., P240, P320.
	La potencia de aspiración es insuficiente.	Ver las medidas en las líneas "La potencia de aspiración ... es insuficiente."
Arranque demasiado alto del material en el que se está trabajando.	Potencia de succión demasiado elevada en la herramienta eléctrica.	Reducir la potencia de succión hasta que la causa se haya solucionado; ver el capítulo 8.5 .
	Grano del abrasivo demasiado basto.	Elegir un grano más fino, p. ej., P240, P320.
	Número de revoluciones de la herramienta eléctrica demasiado alto.	Reducir el número de revoluciones; ver el capítulo 8.1 .
	Material de emplaste con una proporción alta de relleno, emplaste bando.	Reducir el número de revoluciones; ver el capítulo 8.1 .
Calidad superficial no óptima.	Grano del abrasivo incorrecto.	Elegir un grano más fino, p. ej., P240, P320.
	No se han respetado los tiempos de secado del material de emplaste.	Observar las hojas de características técnicas y las recomendaciones del fabricante.
	Potencia de succión mal ajustada en la herramienta eléctrica.	Adaptar la potencia de succión hasta que la causa se haya solucionado; ver el capítulo 8.5 .
	Material de emplaste con una proporción alta de relleno, emplaste bando.	Elegir un grano más fino, p. ej., P240, P320.
Estrías de aplicación en la superficie.	El plato lijador se ha apoyado inclinado en la superficie.	Apoyar el plato lijador en paralelo a la superficie.
	El freno de plato está desgastado.	Encargar la sustitución del freno de plato a un taller de servicio técnico autorizado.

Problema	Posibles causas	Solución
La potencia de aspiración de la herramienta eléctrica es insuficiente.	Los orificios de la Interface-Pad o del plato lijador están obstruidos.	Aspirar la Interface-Pad, el plato lijador y los canales de aspiración.
	Abrasivo incorrecto.	Utilizar solo abrasivos Festool originales con una disposición de los orificios adecuada.
	Los orificios del abrasivo no coinciden con los orificios de la Interface-Pad.	Colocar correctamente el abrasivo; ver el capítulo 8.2.
La potencia de aspiración del sistema móvil de aspiración es insuficiente.	Elemento de filtro del CTL/M 36 E AC-LHS o CTL/M 36 E AC PLANEX obstruido/atascado.	Limpiar regularmente el elemento de filtro: <ul style="list-style-type: none"> - Utilizar la función de limpieza del sistema móvil de aspiración; ver el manual de instrucciones del sistema móvil de aspiración. - Limpiar mecánicamente (aspirando) el elemento de filtro. - Comprobar si el elemento de filtro está dañado o atascado. Sustituir regularmente el elemento de filtro.
	Bolsa de evacuación mal colocada.	Los orificios perforados de la bolsa de evacuación deben estar dentro del depósito.
	Se ha insertado una bolsa filtrante en vez de una bolsa de evacuación.	Utilizar solo bolsas de evacuación.
	Se ha ajustado un rendimiento de aspiración demasiado bajo en el CTL/M 36 E AC-LHS o CTL/M 36 E AC PLANEX.	Ajustar un valor mayor para la regulación de la capacidad de aspiración.
	El tubo flexible de aspiración está atascado o doblado.	Eliminar la obstrucción o deshacer el pliegue.
	Bolsa de evacuación llena.	Cambiar la bolsa de evacuación.
El número de revoluciones disminuye considerablemente, la herramienta eléctrica se apaga, emite tres pitidos y el LED parpadea en rojo.	La herramienta eléctrica activa la protección contra sobrecalentamiento.	Apagar la herramienta eléctrica y dejarla enfriar. Encenderla de nuevo y dejarla enfriar aún más funcionando en vacío. A continuación: <ul style="list-style-type: none"> - Reducir la potencia de succión hasta que la causa se haya solucionado. - Ejercer menos presión de apriete. - Apagarla y limpiar las aberturas de la carcasa.
Al encenderla, la herramienta eléctrica empieza a funcionar de manera irregular, quizás se apaga y emite tres pitidos.	Primero se ha apoyado la herramienta eléctrica en la superficie y después se ha encendido.	Encender la herramienta eléctrica antes de apoyarla en la superficie.

Problema	Posibles causas	Solución
La herramienta eléctrica no funciona. Quizás emite tres pitidos y el LED está encendido en rojo.	La protección contra re arranque que está activada.	Caída de la tensión debida a, p. ej., un corte de corriente o la desconexión del enchufe. Volver a desconectar y conectar la herramienta eléctrica.
	El cable plug-it de conexión a la red eléctrica no está conectado correctamente.	Comprobar si el cierre de bayoneta del cable plug-it de conexión a la red eléctrica está completamente cerrado y bloqueado.
	protección de sobrecarga	Ejercer menos presión en la herramienta eléctrica, solucionar el bloqueo del plato lijador o reducir la potencia de succión.
	Otras causas	Consultar el estado de la máquina con la app Work de Festool (ver el capítulo 8.8) y seguir las recomendaciones de la app.
El LED parpadea en lila y las funciones Bluetooth® de la herramienta eléctrica no están disponibles.	La actualización de software se ha interrumpido o ha fallado.	Volver a iniciar la actualización de software con la app Work de Festool.
La luz rasante no se enciende cuando se conecta la herramienta eléctrica y puede ser que el LED esté encendido en verde.	Función de encendido automático de la luz rasante desactivada en la app Work de Festool.	Cambiar a los ajustes de fábrica; ver el capítulo 8.8 o ver la app Work de Festool.
	La luz rasante está averiada.	Encargar la sustitución de la luz rasante a un taller de servicio técnico autorizado.

En caso de que se produzcan otros problemas diferentes a los especificados, póngase en contacto con su taller de servicio técnico o su distribuidor especializado Festool; ver el capítulo 10 .