

Bluetooth Antenna Specification

Manufacturer: Aska Electronics Co., Ltd

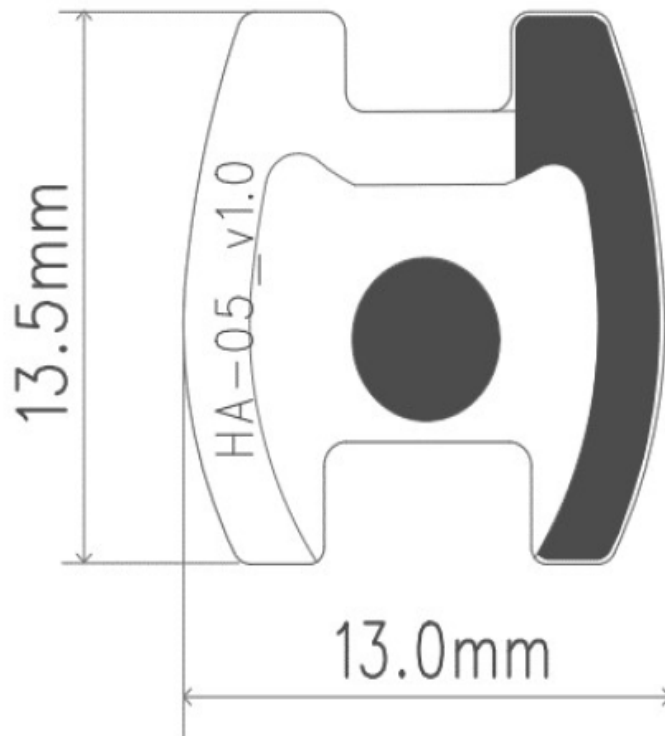
No 5,Puxin Road,Kuyuancheng Industrial,Tangxia Twon,Dongguan,Guangdong China

Model: FPC_HA5_V1

1) Total :

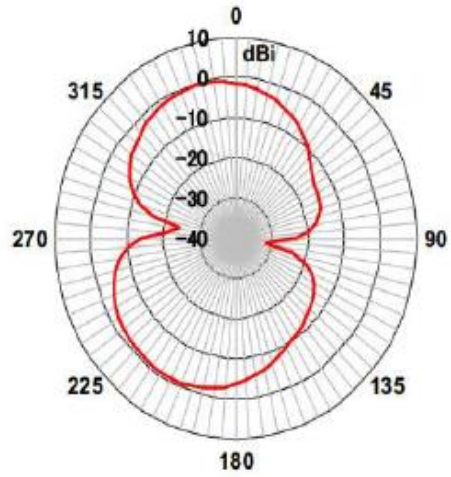
Material	Copper
Frequency range	2400MHz~2500MHz
Ant. Port Inupt Pwr	20dBm
Gain	-1.45dBi
Efficiency	34.6%

2) Construct Size :

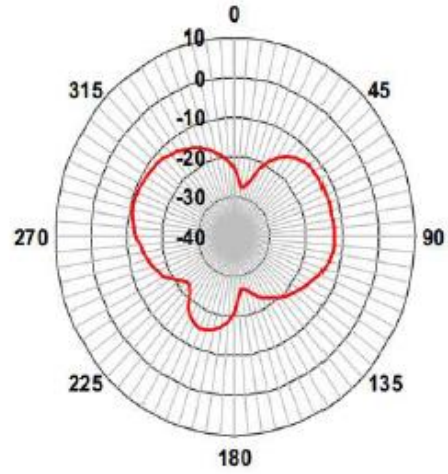


3) Radiation Gain :

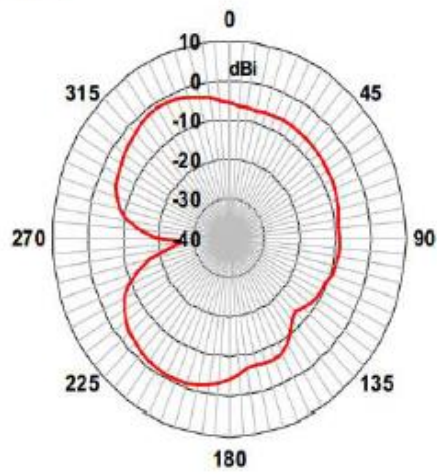
XY-Plane



ZX-Plane



ZY-Plane



4) VSWR & EFFICENCY :

VSWR&Efficiency

