



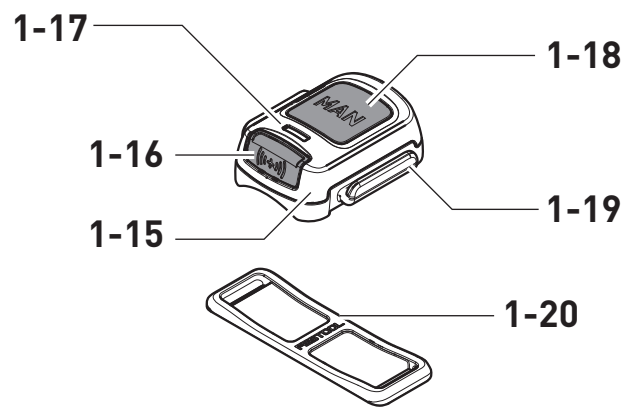
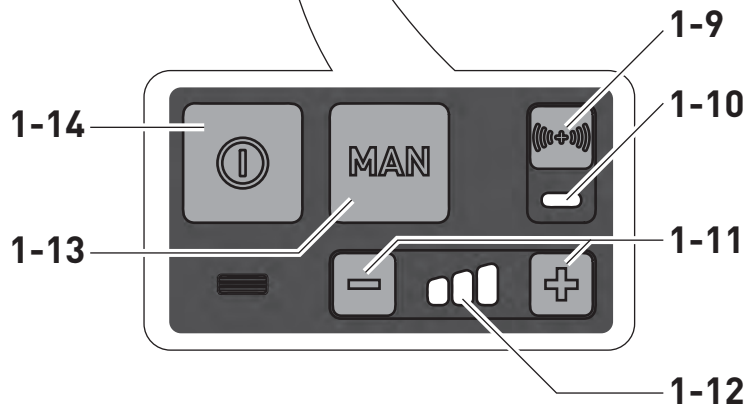
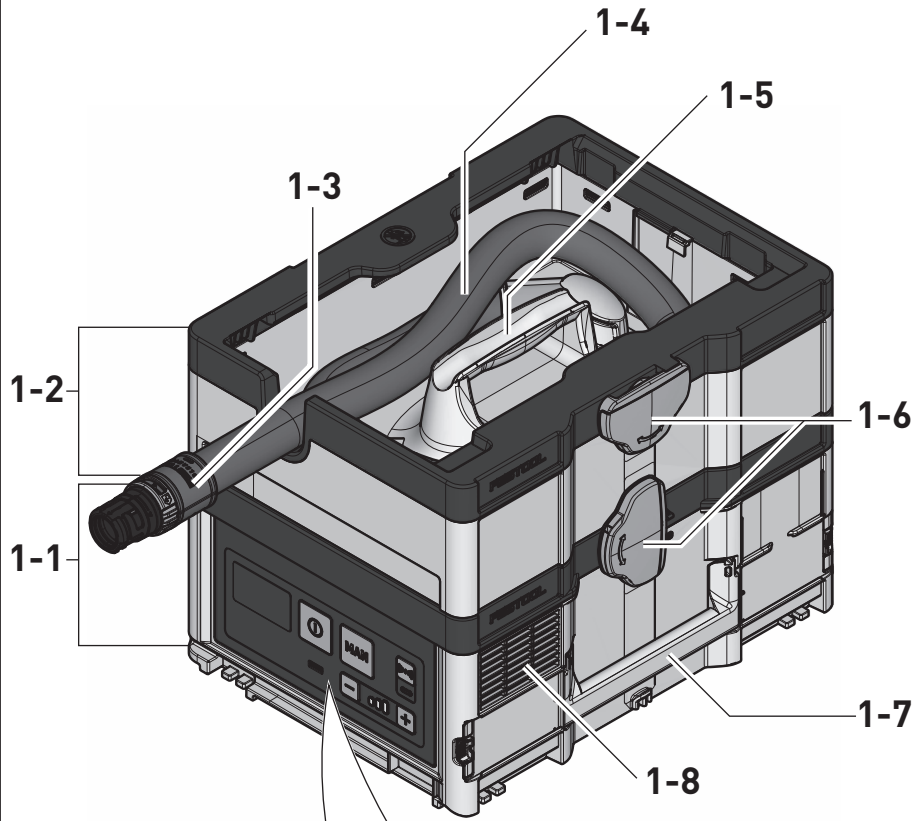
Read all instructions before using



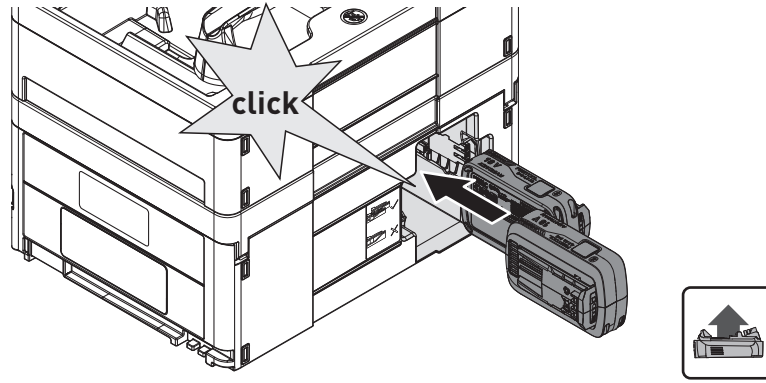
## CTC SYS I



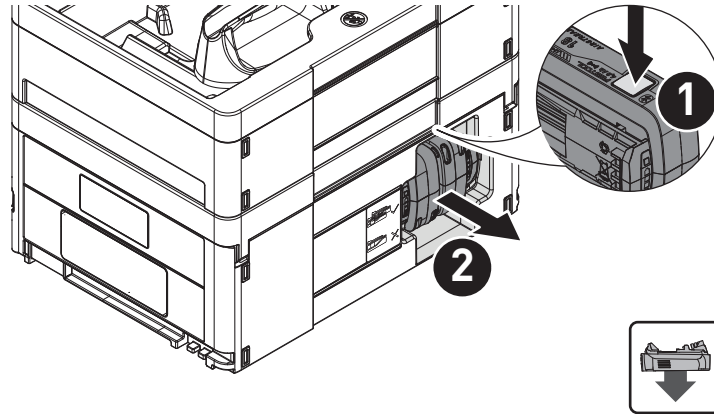
1



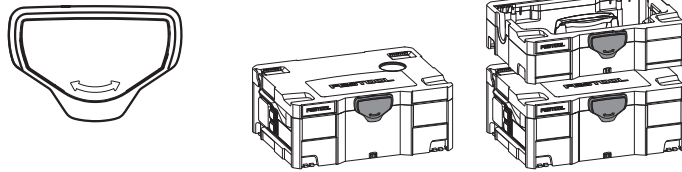
2a



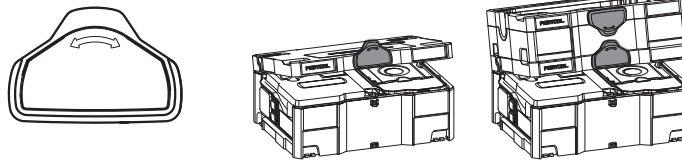
2b



3a



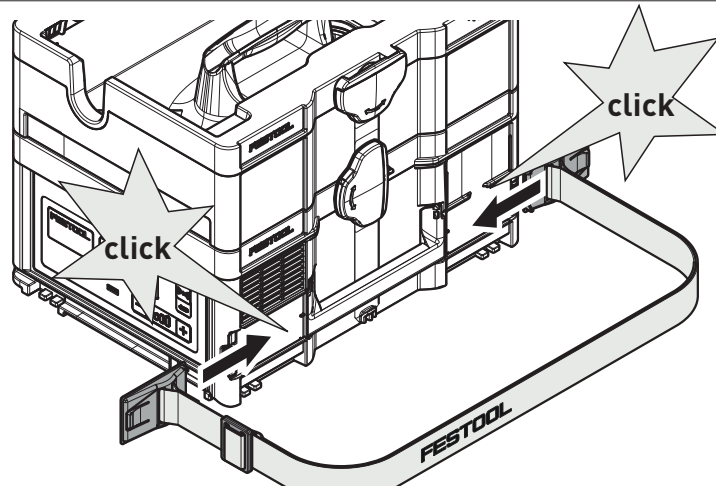
3b



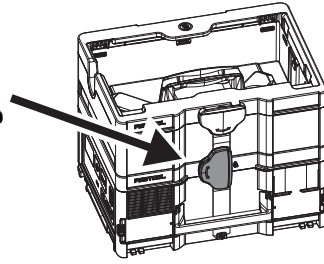
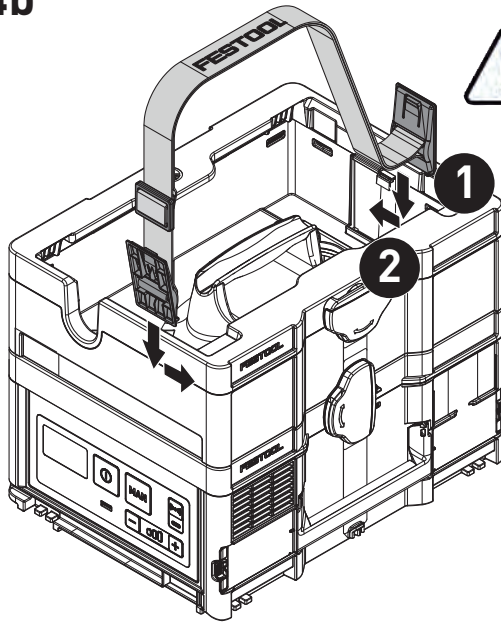
3c



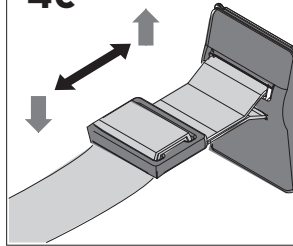
4a



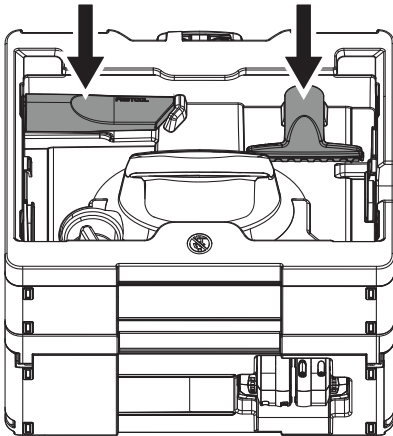
4b



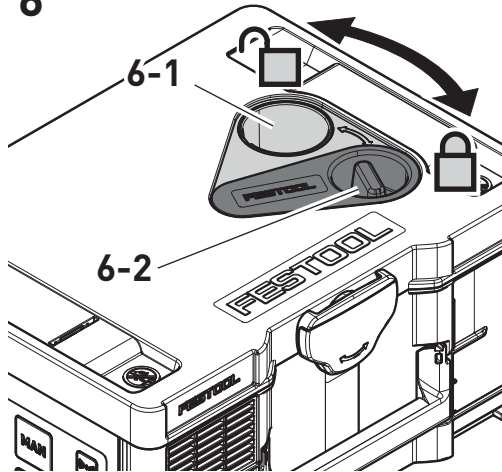
4c



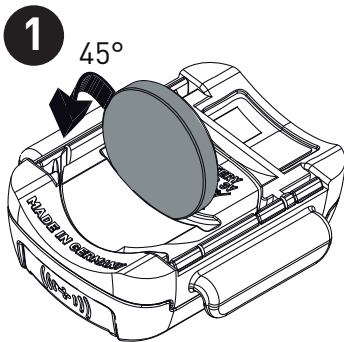
5



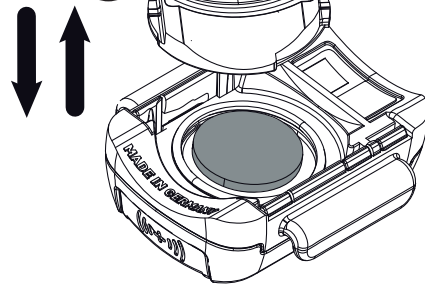
6



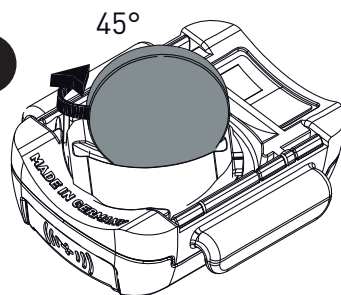
7

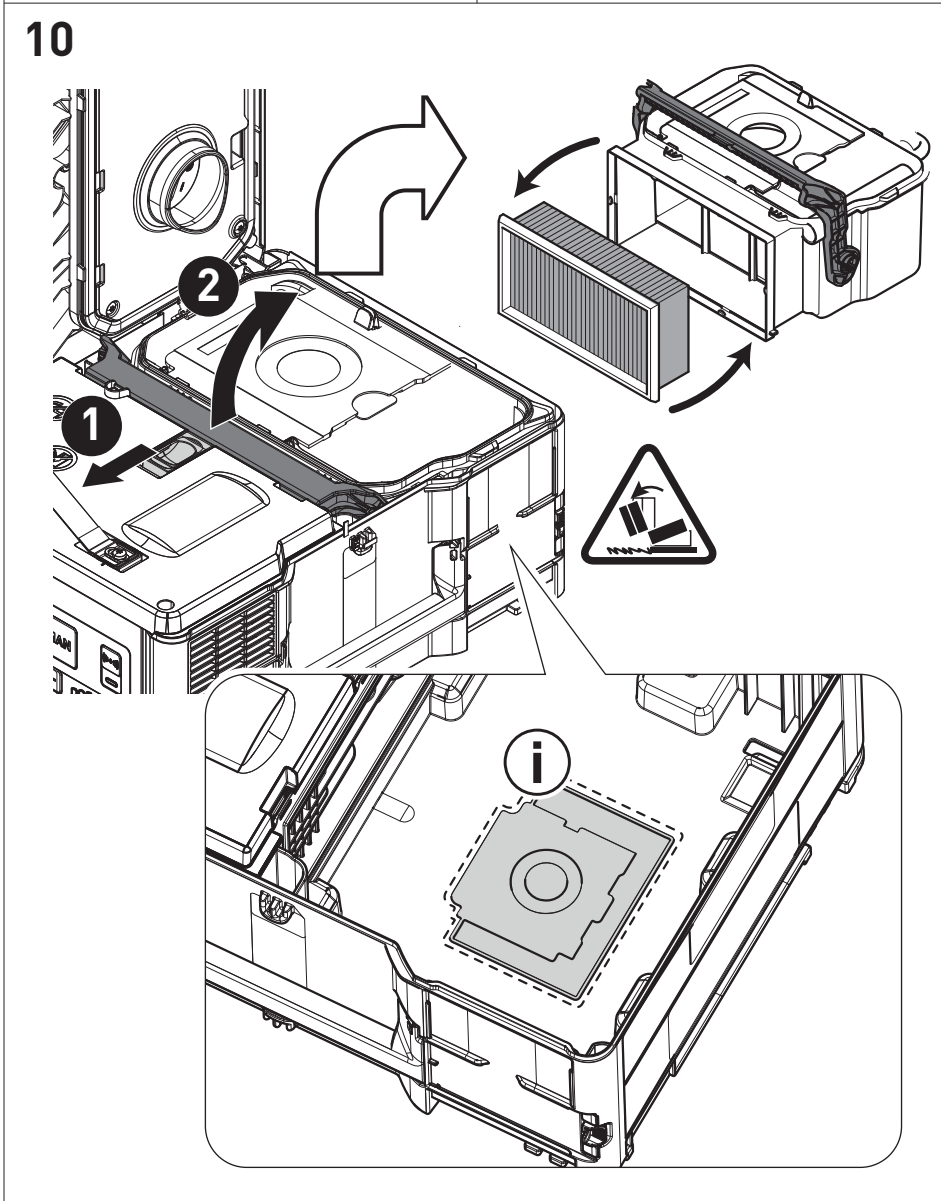
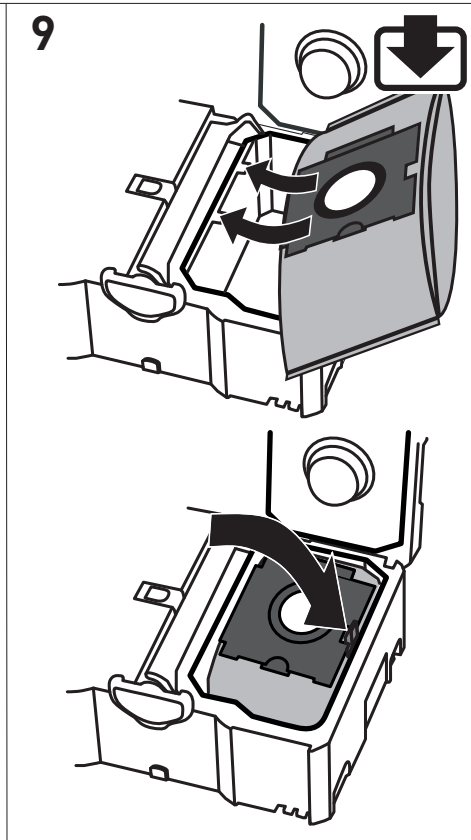
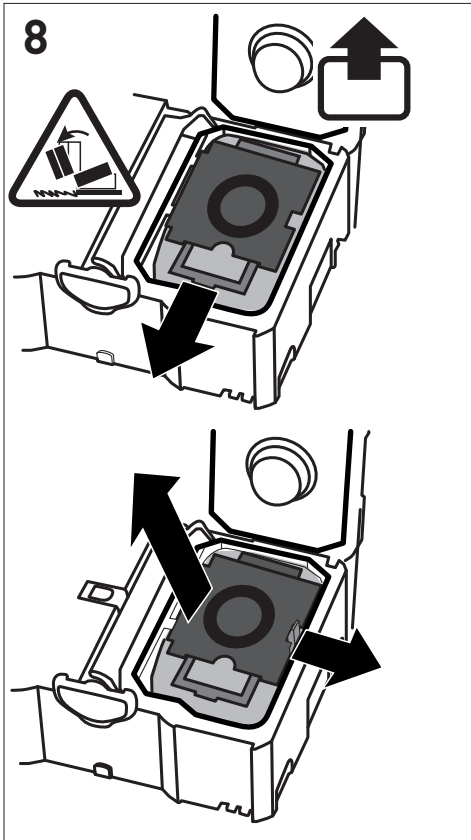


2



3





**Contents**

1 Symbols..... 6  
 2 About this manual..... 6  
 3 Safety warnings..... 7  
 4 Intended use..... 11  
 5 Technical data..... 11  
 6 Functional Description..... 12  
 7 Preparations..... 12  
 8 Battery pack..... 12  
 9 Commissioning..... 12  
 10 Connecting a device..... 13  
 11 Settings..... 13  
 12 Working..... 14  
 13 Remote control..... 15  
 14 Warning signals..... 15  
 15 Service and maintenance..... 16  
 16 Transportation..... 16  
 17 Environment..... 17  
 18 General information..... 17



Inserting the battery pack



Removing the battery pack



Tip or advice



Handling instruction



Do not dispose of it with domestic waste.



Tool contains a chip which stores data. See section [18.2](#)

W

watt

h

hour

min

minutes

s

seconds

kg

kilograms

Pa

pascal

dB

decibel

V

volts

A

amperes

Hz

hertz

~ a.c.

alternating current

≡ d.c.

direct current

$n_0$

no load speed



Class II construction

rpm

revolutions per minute

$\text{min}^{-1}$

”

inch

lbs.

pound



diameter

**1 Symbols**



Warning of general danger



Warning of electric shock



Read the operating manual and safety warnings.



Read the operating instructions and safety instructions.



Wear a dust mask.



**WARNING!** The machine may contain hazardous dust!



Do not climb on the unit



Do not absorb any water or liquids!



Do not leave in the rain!








Risk of tilting!

**2 About this manual**

**Save these instructions**

It is important for you to read and understand this manual. The information it contains relates

to protecting **your safety** and **preventing problems**. The symbols below are used to help you recognize this information.

	<b>DANGER</b>	Description of imminent hazard and failure to avoid hazard will result in death.
	<b>WARNING</b>	Description of hazard and possible resulting injuries or death.
	<b>CAUTION</b>	Description of hazard and possible resulting injuries.
	<b>NOTICE</b>	Statement including nature of hazard and possible result.
	<b>HINT</b>	Indicates information, notes, or tips for improving your success using the tool.

### 3 Safety warnings



## IMPORTANT SAFETY INSTRUCTIONS

When using an electrical appliance, basic precautions should always be followed, including the following:

### READ ALL INSTRUCTIONS

### BEFORE USING THIS DUST EXTRACTOR:

 **WARNING** - To reduce the risk of fire, electric shock, or injury:

- Disconnect battery pack before cleaning or servicing.
- Use indoors only.
- Do not allow to be used as a toy. Close attention is necessary when used by or near children.
- Use only as describes in this manual. Use only manufacturer's recommended attachments.
- If the dust extractor is not working as it should, has been dropped, damaged, left outdoors, or dropped into water, return it to a service center.
- Do not handle dust extractor with wet hands.
- Do not put any object into openings. Do not use with any opening blocked; keep free of dust, lint, hair, and anything that may reduce air flow.
- Keep hair, loose clothing, fingers, and all parts of body away from openings and moving parts.
- Use extra care when cleaning on stairs.
- Do not use to pick up flammable or combustible liquids, such as gasoline, or use in areas where they may be present.
- Do not pick up anything that is burning or smoking, such as cigarettes, matches, or hot ashes, hot chips or particles, sparks.
- Do not use without dust bag and/or filters in place.



# IMPORTANT SAFETY INSTRUCTIONS

## SAVE THESE INSTRUCTIONS

### Further safety instructions

- This appliance must not be used by persons (including children) with reduced physical, sensory or mental capabilities, or lack of experience and knowledge. **Children** need to be supervised to ensure they do not play with the device.
- This machine must not be used by people who might have a particularly adverse reaction to an electric shock (e.g. **people with cardiac pacemakers**), because the possibility of the machine building up a static charge cannot be excluded.
- **Ensure you are on a firm base.** The effects of a shock moment, e.g. due to antistatic discharge, may lead to accidents.

- **WARNING!** Operators must be appropriately instructed in the use of this machine.

- **WARNING!** This machine is only intended for use under dry conditions.

- **WARNING!** Device may contain hazardous dust. Only have the device maintained and emptied, and only have the filter replaced by an authorised specialist using suitable protective equipment.

- Always operate with the filter system installed!

- **Risk of explosion and fire: Do not extract:**

- Sparks or hot dust;
- combustible or explosive materials (e.g. magnesium, aluminium, petrol, diluting agents);
- aggressive materials (e.g. acid, alkaline solutions, solvents);
- chemically reactive materials, which lead to the generation of heat, acids/bases, gases, etc. (e.g. reactive two-component materials, aluminium and water).
- Observe all national safety regulations as well as the material manufacturer's specifications!

-  **WARNING!**

Do not extract embers or other ignition sources. Do not use in conjunction with machines that generate sparks!

Per NFPA 484, do not collect incompatible materials that may react with the metal particles and do not use the dust extractor to collect materials it



was not designed to collect. Doing so can result in the contents of the dust extractor catching fire.

- Always use suitable protective equipment!
- If intact following a visual inspection, work in a dry environment according to instructions!
- Check the battery interface and the filter regularly in order to prevent a hazard. In the event of damage, the battery interface must be replaced by an authorised service workshop only.
- Do not lift or transport the device using a crane hook or lifting gear.
- Only carry the machine using the handle, front handle or shoulder strap provided.
- Risk of tilting, do not place on sloped areas!

– **NOTE**

This machine is only intended for indoor use.

This machine must only be stored indoors.

**Follow the operating manual for the charger and the battery pack.**

- **Do not use power supply units or third-party battery packs to operate cordless devices. Do not use third-party chargers to charge the battery pack.** The use of accessories not expressly authorised by the manufacturer can result in electric shocks and/or serious accidents.
- **Keep the unused battery pack away from metal objects (e.g. nails, screws, keys, paper clips, etc.) that could cause bridging of the contacts.** A short circuit between the battery contacts can cause burns or fire.
- **Only use the battery pack in combination with your Festool device.** This is the only way to protect the battery pack from dangerous overload. Use of another device can lead to injury and fire hazard.
- **Do not use a battery pack or appliance that is damaged or modified.** Damaged or modified batteries may exhibit unpredictable behavior resulting in fire, explosion or risk of injury.
- **Disconnect the battery pack from the appliance before making any adjustments, changing accessories, or storing appliance.** Such preventive safety measures reduce the risk of starting the appliance accidentally.

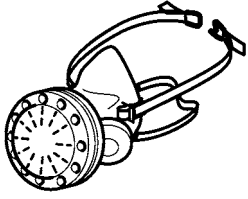
**Health hazard by dust**

 **WARNING!**

various dust created by power sanding, sawing, grinding, drilling and other construction activities contains chemicals known (to the State of California) to cause cancer, birth defects or other reproductive harm. Some examples of these chemicals are:

- lead from lead-based paints,

- crystalline silica from bricks and cement and other masonry products, and
- arsenic and chromium from chemically treated lumber.



The risk from these exposures varies, depending on how often you do this type of work. To reduce your exposure to these chemicals: work in a well ventilated area, and work with approved safety equipment, such as dust masks that are specially designed to filter out microscopic particles. Wash hands after handling.



**WARNING**

**TO REDUCE THE RISK OF INJURY, USER  
MUST READ INSTRUCTION MANUAL.**

## 4 Intended use

### CTC SYS I

Cordless mobile dust extractor suitable

- for extracting dust, dirt, sand and chips corresponding to the fitted HEPA filter element,
- for increased loads during commercial use in accordance with IEC/EN 60335-2-69,
- for use with BP Festool battery packs of the same voltage class which have been approved for this cordless mobile dust extractor.

This extractor has been tested in accordance with EPA RRP. The HEPA Filter is tested and certified in accordance with IEST RP-CC-001, to filter and exhaust air particles to 0.3 microns with at least 99.97 % efficiency with no bypass leakage.

The cordless mobile dust extractor is **not recommended** for continuous extraction of fine dust, such as cement dust or filler.



The user is liable for improper or non-intended use.

## 5 Technical data

Cordless Mobile Dust Extractor		
Motor voltage		36 V (2x 18 V)
Compatible battery packs <sup>[1]</sup>		BP18 Li 4.0 HPC-AS BP18 Li 4.0 HPC-ASI BP18 Li 3.1 C BP18 Li 3.1 CI
Max. suction capacity (air), extractor/turbine		101 m <sup>3</sup> /h/147 m <sup>3</sup> /h (3567 cu.ft./h/ 5191 cu.ft./h)
Max. vacuum, turbine		190 hPa
Filter surface area		5357 cm <sup>2</sup> (830.34 sq.in.)
Suction hose		D 27x3m-AS-90°/CT
Sound pressure level as per EN 60335-2-69/uncertainty K		68 dB(A)/3 dB
Hand-arm vibration value as per EN 60335-2-69/uncertainty K		< 2.5 m/s <sup>2</sup> / 1.5 m/s <sup>2</sup>
Frequency (Cordless mobile dust extractor/remote control)		2402–2480 Mhz
Equivalent Isotropically Radiated Power (EIRP) (Cordless mobile dust extractor/remote control)		< 10 dBm
Container capacity		4.5 l (1.2 gal.)
Dimensions L x W x H	With storage box	396 x 297 x 307 mm (15-9/16 x11-11/16 x12-1/8")
	Only CTL/MC SYS I	396 x 297 x 187 mm (15-9/16 x11-11/16 x7-3/8")
Weight	With storage box (without battery packs)	15.65 lbs

[1] For newer battery packs that are not listed, follow the instructions from the Festool app or contact the Festool customer service team.

## 6 Functional Description

The pictures for the functional description are on a fold-out page at the beginning of the instruction manual. While reading the manual you can fold out the page for comparison and quick reference.

### 6.1 Cordless Mobile Dust Extractor

- [1-1] Cordless mobile dust extractor
- [1-2] Storage box
- [1-3] Extraction sleeve
- [1-4] Suction hose
- [1-5] Handle
- [1-6] T-Loc lock for Systainers
- [1-7] Front handle
- [1-8] Exhaust air opening
- [1-9] Connection button
- [1-10] Connection display
- [1-11] Suction power adjustment
- [1-12] Status display (suction power/warning signals)
- [1-13] MAN button
- [1-14] On/off button
- [1-15] Remote control CT-F I \*

### 6.2 Remote control CT-F I

- [1-16] Connection button
- [1-17] LED indicator
- [1-18] MAN button (for manually switching on)
- [1-19] Attachment point for the fastening straps
- [1-20] Fastening strap

\* Accessories shown or described are not always included in the scope of delivery.

## 7 Preparations


After removal from the packaging, the cordless mobile dust extractor is ready for use.

## 8 Battery pack

Before using the battery pack, check that the battery interface is clean. Any contamination of the battery interface may impair correct contact and lead to the contacts being damaged.

A faulty contact may result in the machine overheating or being damaged.

**[2b]** Remove the battery pack.

**[2a]**  Insert the battery pack – until it clicks into place.

- ⓘ The cordless mobile dust extractor can only be operated with two battery packs. Compatible battery packs (see section 5).
- ⓘ Further information about the charger and battery pack with capacity indicator can be found in the corresponding operating manual.

## 9 Commissioning

### Standby mode

- ▶ Press the on/off button [1-14].

*The green LEDs on the status display [1-12] indicate standby mode.*

Pressing the on/off button again will switch off the cordless mobile dust extractor.

### Starting/stopping the cordless mobile dust extractor manually

The cordless mobile dust extractor is in standby mode.

Directly on the cordless mobile dust extractor:

- ▶ Press the MAN button [1-13] to start/stop.

Alternatively, use the connected remote control CT-F I (see 10.2):

- ▶ Press the MAN button [1-18] on the remote control to start/stop.

### Starting/stopping the cordless mobile dust extractor automatically

The cordless mobile dust extractor is in standby mode.

- ▶ To start/stop the cordless mobile dust extractor automatically: Switch the connected battery-powered power tool on/off (see 10.1).

## 10 Connecting a device



### WARNING

#### Risk of injury from a cordless mobile dust extractor starting up unsupervised

- ▶ Before performing any work with the cordless mobile dust extractor, check which remote control and which cordless power tool are connected to the cordless mobile dust extractor!
- ▶ A battery-powered power tool must always be connected to the cordless mobile dust extractor via the suction hose. After finishing work, the connection to the cordless mobile dust extractor must be disconnected.
- ▶ The remote control must only be attached to the suction hose.

### 10.1 Connecting a battery-powered power tool

- ▶ In standby mode, press the connection button **[1-9]**.

*The connection display [1-10] slowly flashes blue. For a period of 60 seconds, the cordless mobile dust extractor is ready for connection.*

- ▶ Switch on the power tool.

*The cordless mobile dust extractor starts up.*

The cordless mobile dust extractor is connected until the on/off button **[1-14]** is pressed or a battery pack is removed (from the cordless mobile dust extractor). The power tool must then be connected again.

- ① Connecting a new power tool overwrites the previous connection.
- ① This function is only possible on Festool power tools with a **Bluetooth®** battery pack.

### 10.2 Connecting the CT-F I remote control

To be able to connect a remote control to a cordless mobile dust extractor, the remote control must be reset (see "Resetting the remote control").

Remote controls that have not been connected previously can be connected directly.

- ① A connection that has been created between remote controls and the cordless mobile dust extractor will persist even after pressing the on/off button or removing a battery pack (from the cordless mobile dust extractor).

- ① The cordless mobile dust extractor can be connected to as many as five remote controls at the same time. The cordless mobile dust extractor can only be connected to one battery-powered power tool at a time.
- ① If a cordless mobile dust extractor which was initially switched on using the battery pack is switched off using the remote control, the temporary connection between the connected battery pack and the cordless mobile dust extractor will be lost. The battery pack can then be connected again.
- ▶ Hold down the connection button **[1-9]** on the cordless mobile dust extractor for three seconds in standby mode.

*The connection display [1-10] rapidly flashes blue. For a period of 60 seconds, the cordless mobile dust extractor is ready for connection.*

- ▶ Press the MAN button **[1-18]** on the remote control.

*The remote control is permanently stored in the cordless mobile dust extractor.*

### Resetting on the remote control

Resetting deletes the connection between a remote control and the cordless mobile dust extractor.

- ▶ Hold down the connection button **[1-16]** and the MAN button **[1-18]** for 10 seconds.

*The LED indicator [1-17] lights up purple, if the reset has taken place.*

### 10.3 Connecting a mobile device

The cordless mobile dust extractor can be connected to a mobile device (e.g. for a software update) using the Festool Work app.

- ▶ Hold down the connection button **[1-9]** on the cordless mobile dust extractor for three seconds in standby mode.

*The connection display [1-10] rapidly flashes blue. For a period of 60 seconds, the cordless mobile dust extractor is ready for connection.*

- ▶ Follow the instructions provided in the Festool Work app to authorise the secure connection.

## 11 Settings

### 11.1 Adjusting the suction power

- ▶ Press the plus or minus button for the suction power adjustment **[1-11]** while extracting.

The green LEDs on the status display **[1-12]** indicate the current performance level.

## 11.2 Connecting sleeve

The bypass function of the connecting sleeve prevents strong suction from sanding machines and floor nozzles on smooth surfaces.

### Open

- ▶ Turn the adjusting ring to the "OPEN" position.

### Close

- ▶ Turn the adjusting ring to the "CLOSE" position.

## 11.3 Temperature cut-out

To protect against overheating, the temperature cut-out switches off the cordless mobile dust extractor before it reaches the critical temperature. The status display LED **[1-12]** indicates a fault.


LED lights up red      Excessive temperature

- ▶ Switch off the cordless mobile dust extractor, let it cool down.
- ▶ Switch the cordless mobile dust extractor on again after approx. ten minutes.

## 11.4 Connecting with the T-Loc

The cordless mobile dust extractor can be closed, opened and connected by turning the T-Loc:

- Close the cordless mobile dust extractor **[3a]**.
- Open the cordless mobile dust extractor **[3b]**.
- Connect the cordless mobile dust extractor to the storage box **[3c]**.


 Before lifting, always close the T-Loc at the cordless mobile dust extractor or connect to the storage box and check for secure holding.

Max. load for connection to other Systainers: 20 kg

## 11.5 Use/Adjust shoulder strap [4]

Max. permissible load of shoulder strap: 20 kg  
The shoulder strap can be attached in two different positions:

- Carrying the cordless mobile dust extractor: Shoulder strap on the cordless mobile dust extractor **[4a]**
- Carrying the storage box with the cordless mobile dust extractor: Shoulder strap on the storage box **[4b]**

 Before lifting, check the shoulder strap for proper functionality and put the T-loc on the cordless mobile dust extractor into the corresponding position.

Adjust the length of the shoulder strap at the adjusting tab **[4c]**.

## 12 Working

### 12.1 Extracting dry materials



### CAUTION

#### Hazardous dust

#### Damage to the respiratory passage

- ▶ Always use a filter bag!



### CAUTION

#### Hazardous dust

#### Damage to the respiratory passage

- ▶ Check that the main filter is undamaged before extracting.



When extracting dust that exceeds the limit value, only extract from one dust source (power or compressed-air tool).

**Observe** the following when extracting dust generated by operating power tools:

Ensure there is adequate ventilation! Observe regional regulations!

**Limit values:** Exhaust air max. 50% of the fresh air volume

**Equation:** room volume  $V_R$  x air renewal rate  $L_W$

#### Observe the following information:

- Keep the area around the exhaust air opening **[1-8]** clear.
- The cordless mobile dust extractor is a stationary system and not suitable for pulling at the suction hose. Use the handle **[1-4]**, front handle **[1-7]** or shoulder strap **[4]**.



Two cleaning nozzles **[5]** are stored inside the storage box.

### 12.2 After finishing work

- ▶ Switch off the cordless mobile dust extractor.
- ▶ Remove the battery pack.

**Note:** Keep the unused battery pack away from metal objects (e.g. nails, screws, keys, paper clips, etc.) as these may cause bridging of the contacts.

- ▶ Empty the dirt trap.

- ▶ Use the plug **[6-2]** to seal the suction opening **[6-1]**.  
When commissioning the cordless mobile dust extractor again, put the plug back into the parked position.
- ▶ Place the suction hose **[1-3]** in the storage box **[1-2]**.
- ▶ Vacuum and wipe the inside and outside of the cordless mobile dust extractor to clean it.
- ▶ Place the cordless mobile dust extractor in a dry room inaccessible to unauthorised users.

## 13 Remote control

### 13.1 Intended use of remote control CT-F I

The remote control can switch the cordless mobile dust extractor on and off automatically.

### 13.2 Assembly

Attach the remote control to the suction hose **[1-3]** using the corresponding fastening strap **[1-20]**.

- ⓘ To connect the remote control and the cordless mobile dust extractor, see section **10.2**.

### 13.3 LED indicator [1-17]

The remote control's LED indicator displays, the charge status of the remote control in addition to the Bluetooth® functionality:

#### Flashes blue once

Confirmation of the connection button **[1-16]** or MAN button **[1-18]** having been pressed.

#### Flashes purple once

The remote control has been reset.

#### Flashes red

The remote control's battery is nearly empty and must be replaced.

### 13.4 Changing the remote control's battery [7]

- ⓘ The remote control is operated using a CR 2032 battery.
- ⓘ If the battery compartment is opened, we recommend that you replace the seal (20 x 1.3 mm).
  - ▶ ① Open the battery compartment closure.
  - ▶ ② Replace the battery.
  - ▶ ③ Close the battery compartment.


### 13.5 Software update

To check whether a software update that will enhance the functions of the remote control or improve existing functions is available, a Bluetooth® connection to the Festool app can be established.

- ▶ Press the connection button on the remote control **[1-16]** until the LED indicator **[1-17]** flashes blue.
- ▶ Follow the instructions provided in the Festool app.

## 14 Warning signals

Warning signal	Description of warning signal	Cause	Action
Visual	LED <b>[1-12]</b>	Flashes green	Battery pack empty Charge the battery pack
		Flashes red	Incorrect battery pack Use correct battery pack (see section <b>5</b> ) Battery pack overheating Leave the battery pack to cool for approx. 10 minutes Battery pack faulty – Change the battery pack – Use the charger to check that the battery pack is fully functional once it has cooled down
		Lights up red	Cordless mobile dust extractor overheating See section <b>11.3</b>

Warning signal	Description of warning signal	Cause	Action
Acoustic	Signal Increasing, beginning with two short 	Battery pack charge low	<ul style="list-style-type: none"> <li>– Charge the battery pack</li> <li>– Use the newly charged battery pack</li> </ul>

## 15 Service and maintenance



### WARNING

#### Risk of injury, electric shock

- ▶ Always remove the battery pack from the cordless mobile dust extractor before performing any maintenance or service work.
- ▶ All maintenance and repair work which requires the motor housing to be opened should always be carried out by an authorised service workshop.



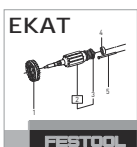
### CAUTION

#### Certain cleaning agents and solvents are harmful to plastic parts.

- ▶ Some of these include, but are not limited to: Gasoline, Acetone, Methyl Ethyl Ketone (MEK), Carbonyl Chloride, cleaning solutions containing Chlorine, Ammonia, and household cleaners containing Ammonia.



**Customer service and repairs** must only be carried out by the manufacturer or service workshops. Find the nearest address at:  
[www.festoolusa.com/service](http://www.festoolusa.com/service)



Always use original Festool spare parts. Order no. at:  
[www.festoolusa.com/service](http://www.festoolusa.com/service)

#### Observe the following information:

- Dust-related inspection (e.g. for filter damage, tightness of the machine and function of the control devices) by the manufacturer or an instructed person at least once a year.
- Dispose of components that cannot be cleaned. Use impermeable bags to do so. Observe the applicable disposal provisions!
- Keep the contacts on the cordless mobile dust extractor, charger and battery pack clean.

### 15.1 Changing the filter bag

- ▶ Open the cordless mobile dust extractor with T-Loc. **Attention: Risk of tilting!**
- ▶ Changing the filter bag:
  - ▷ Remove the filter bag [8].
  - ▷ Insert a filter bag [9].
- ▶ Close the cordless mobile dust extractor with T-Loc.
- ⓘ An additional filter bag can be stored on the base of the housing [10].

### 15.2 Changing the main filter [10]

#### NOTICE

#### Damage to the motor

- ▶ Never extract material without a main filter, as this can damage the motor.
- ▶ Open the cordless mobile dust extractor with T-Loc. **Attention: Risk of tilting!**
- ▶ Unlock and fold down lever.
- ▶ Remove container upwards.
- ▶ Remove the used main filter and replace with a new one.
- ▶ Dispose of the used main filter in accordance with statutory regulations.
- ▶ Clean container and seals.
- ▶ Insert container. Fold up and lock lever.
- ▶ Close the cordless mobile dust extractor with T-Loc.

Refer to the Festool catalogue for the order numbers of accessories and tools or find them online at [www.festoolusa.com](http://www.festoolusa.com).

## 16 Transportation

#### Observe the following information:

- Before transportation, always close the T-Loc at the cordless mobile dust extractor or connect to the storage box.
- For transportation in vehicles, secure the cordless mobile dust extractor against slipping and tilting in accordance with the valid guidelines.



## 17 Environment

**Do not dispose of the device together with domestic waste!** Dispose of machines, accessories and packaging at an environmentally responsible recycling centre. Observe the valid national regulations.

### Battery Disposal



### WARNING

#### Risk of fire or injury

- ▶ Do not attempt to disassemble the battery or remove any component projecting from the battery terminals.
- ▶ Prior to disposal, protect exposed terminals with heavy insulating tape to prevent shorting.

## 18 General information

### 18.1 Information about Bluetooth®

As soon as the tool is connected to the Festool Work app via Bluetooth® and the secure connection has been authorised, the tool will connect automatically to the Festool Work app from this point onwards. The tool then regularly sends status information (ID, operating status, etc.) via Bluetooth®.

The Bluetooth® word mark and the logos are registered trademarks of Bluetooth SIG, Inc.; they are used by TTS Tooltechnic Systems AG & Co. KG, and therefore by Festool, under licence.

### 18.2 Information on data privacy

The tool contains a chip which automatically stores machine and operating data. The data saved cannot be traced back directly to an individual.

The data can be read using special (contactless) devices and shall only be used by Festool for fault diagnosis, repair and warranty processing and for quality improvement or enhancement of the power tool. The data shall not be used in any other way without the express consent of the customer.

### 18.3 Federal Communications Commission (FCC) Interference Statement

NOTE: This equipment has been tested and found to comply with the limits for a Class B digital device, pursuant to part 15 of the **FCC Rules**. These limits are designed to provide reasonable protection against harmful interference in a residential installation. This equipment generates, uses and can radiate radio frequency energy and, if not installed and used in

accordance with the instructions, may cause harmful interference to radio communications. However, there is no guarantee that interference will not occur in a particular installation. If this equipment does cause harmful interference to radio or television reception, which can be determined by turning the equipment off and on, the user is encouraged to try to correct the interference by one or more of the following measures:

- Reorient or relocate the receiving antenna.
- Increase the separation between the equipment and receiver.
- Connect the equipment into an outlet on a circuit different from that to which the receiver is connected.
- Consult the dealer or an experienced radio/TV technician for help.

NOTE: Any changes or modifications not expressly approved by the party responsible for compliance could void the user's authority to operate the equipment.

### 18.4 Notes (ISED)

This Class B digital apparatus complies with Canadian ICES-003 and RSS-210. Operation is subject to the following two conditions:

- (1) this device may not cause interference
- (2) this device must accept any interference, including interference that may cause undesired operation of the device.

### 18.5 RSS Compliance Statement

This device complies with Industry Canada's licence-exempt RSSs. Operation is subject to the following two conditions:

- (1) This device may not cause interference; and
- (2) This device must accept any interference, including interference that may cause undesired operation of the device. This device has been designed and complies with the safety requirement for RF exposure in accordance with RSS-102, issue 5 for portable conditions.

### Déclaration de conformité CNR

L'appareil est conforme aux CNR exempts de licence d'Industrie Canada. Son fonctionnement est soumis aux deux conditions suivantes:

- (1) cet appareil ne doit pas provoquer d'interférences, et
- (2) cet appareil doit supporter toutes les interférences, y compris celles susceptibles d'en perturber le fonctionnement. Cet appareil et sa conception satisfont aux exigences de sécurité s'appliquant à l'exposition aux RF suivant

CNR-102 5e édition, pour les dispositifs portatifs.

### **18.6 Radio frequency (RF) Exposure Information**

---

The radiated output power of the Wireless Device is below the Innovation, Science and Economic Development (ISED) radio frequency exposure limits. The Wireless Device should be used in such a manner such that the potential for human contact during normal operation is minimized.