

Mobile dust extractors

CT MIDI I 470 × 320 × 495 mm (18.5 in. x 12,6 in. x 19.5 in.)

Weight CT MINI I 11.0 kg (24.3 lbs)

CT MIDI I 11.3 kg (24.9 lbs)

6 Intended use

The dust extractor is designed for use as specified for the aspiration and evacuation of non-toxic dusts, dirt, sand, shavings etc..

The dust extractor is designed as specified for vacuuming water.

The dust extractor is designed for household, commercial or both use.

The dust extractor is designed for outdoor use and indoor storage.

This extractor has been tested in accordance with OSHA 1926.1153. The HEPA Filter is tested and certified in accordance with IEST RP-CC-001, to filter and exhaust air particles to 0.3 microns with at least 99.97 % efficiency with no bypass leakage.



WARNING

The user will be liable for damage due to improper use.

7 Commissioning



WARNING

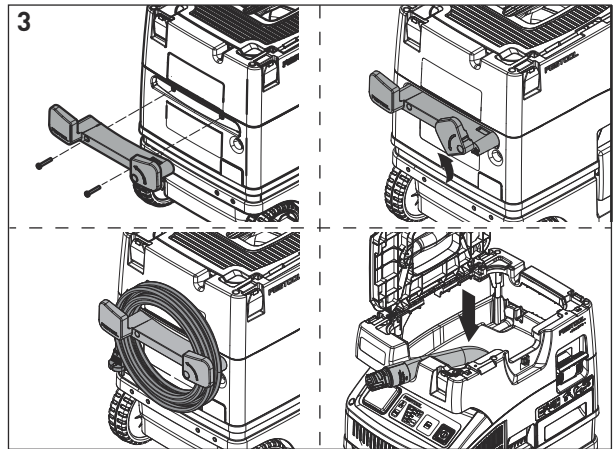
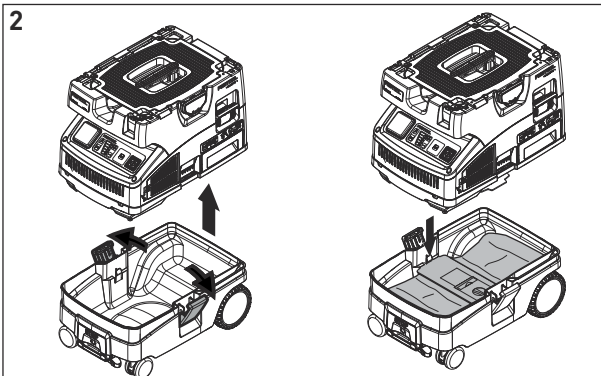
Unauthorised voltage or frequency!

Risk of accidents

- ▶ Observe the specifications on the machine's name plate.
- ▶ Observe country-specific regulations.

7.1 Initial commissioning

- ▶ Insert the filter/disposal bag [2].
- ▶ Fit the cord holder [3].
- ▶ Connect the suction hose [3].



7.2 Extension Cord

If an extension cord is required, it must have sufficient cross-section to prevent an excessive drop in voltage or overheating. An excessive drop in voltage reduces the output and can lead to failure of the motor. The table below shows you the correct cord diameter as a function of the cord length for this tool.

Total Extension Cord Length (feet)	25	50	100	150
Cable size (AWG)	14	12	not recommended	not recommended

Cable size (AWG) 14 12 not recommended

Use only U.L. and CSA listed extension cords. Never use two extension cords together. Instead, use one long one.



The lower the AWG number, the stronger the cord.

7.3 Connecting the mobile dust extractor



WARNING

Risk of injury from uncontrolled tool start-up

- ▶ Before switching on ensure that the connected tool is switched off.

**WARNING****Risk of injury from electric current**

- ▶ Insert the mains plug into an earthed socket.
- ▶ Do not reach into the electrical outlet module on the mobile dust extractor.



While the mobile dust extractor is connected to the mains socket, an electric current is running through electrical outlet module on the mobile dust extractor at all times.

Connecting the mobile dust extractor to a mains socket

The mobile dust extractor is switched off.

- ▶ Connect the power cable to a mains socket. The electrical outlet module [1-2] is live.

Switching the mobile dust extractor to standby mode

- ▶ Press the on/off switch [1-11]. The electrical outlet module [1-2] is live.



The green LED [1-18] indicates standby mode.

Starting the mobile dust extractor automatically

The mobile dust extractor is in standby mode.

- ▶ To start the mobile dust extractor automatically: Switch on the connected tool.

Starting the mobile dust extractor manually

The mobile dust extractor is in standby mode.

- ▶ Press the MAN button [1-17].



Pull the mains plug from the socket when you are not using the mobile dust extractor and before performing any cleaning and maintenance work.

7.4 Connecting a power tool**WARNING****Risk of injury**

- ▶ Observe the maximum electrical outlet module connected load (see chapter "Technical data").
- ▶ Switch off the power tool.

Connecting a mains-powered power tool to the mobile dust extractor

- ▶ Connect the power tool to the electric outlet module [1-2].

The power tool is connected to the mobile dust extractor via the power cable.

Connecting a battery-powered power tool to the mobile dust extractor (MINI I / MIDI I)

- ▶ In standby mode, press the connection button [1-20]. The connection display [1-19] flashes slowly. For a period of 60 seconds, the mobile dust extractor is ready for connection.
- ▶ Turn on the battery-powered power tool. The mobile dust extractor starts up and the battery-powered power tool is connected until the mobile dust extractor is manually switched off or the mains plug is disconnected. The battery-powered tool must then be connected again.

Connecting a new battery-powered power tool overwrites the previous connection.

7.5 Connecting a mobile device (MINI I / MIDI I)

A mobile device (e.g. smartphone) can be connected to the mobile dust extractor via **Bluetooth®** (e.g. for a software update with the Festool app).

- ▶ Hold down the connection button [1-20] on the mobile dust extractor for three seconds in standby mode. The connection display [1-19] flashes rapidly. For a period of 60 seconds, the mobile dust extractor is ready for connection.
- ▶ Follow the instructions provided in the Festool app.

7.6 Remote control (MINI I / MIDI I)**Connecting the remote control and mobile dust extractor**

To be able to connect a remote control to a mobile dust extractor, the remote control must be reset (see "Resetting the remote control").

Remote controls that have not been connected previously can be connected directly.



A connection that has been created between remote controls and the mobile dust extractor will persist even after the mobile dust extractor has been manually switched off or the mains plug has been disconnected.



The mobile dust extractor can be connected to as many as five remote controls at the same time. The mobile dust extractor can only be connected to one cordless power tool at a time.

- ▶ Hold down the connection button **[1-20]** on the mobile dust extractor for three seconds in standby mode.
The connection display **[1-19]** flashes rapidly.
For a period of 60 seconds, the mobile dust extractor is ready for connection.
- ▶ Press the MAN button on the remote control.
The remote control is permanently stored in the mobile dust extractor.

Switching on/off

Once the remote control is connected to the mobile dust extractor, the mobile dust extractor can be switched on and off with the remote control.

- ▶ Press the MAN button on the remote control to switch the device on and off.

Resetting the remote control

Resetting deletes the connection between a remote control and the mobile dust extractor.

- ▶ Hold down the connection button and the MAN button for 10 seconds.
The LED indicator lights up purple, if the reset has taken place.

7.7 Delete all saved devices. (MINI I / MIDI I)

- ▶ Press and hold the connection button **[1-20]** for at least three seconds.
The connection display **[1-19]** flashes rapidly.
- ▶ Press and hold both the plus and minus button **[1-18]** for at least three seconds.
The mobile dust extractor confirms the command by rapidly flashing three times.

8 Settings

8.1 Adjusting the suction power

- ▶ Press the plus or minus button **[1-18]** while extracting.

8.2 Temperature cut-out

A temperature cut-out switches the mobile dust extractor off when it reaches a critical temperature to prevent overheating. The bottom LED **[1-18]** indicates a fault.

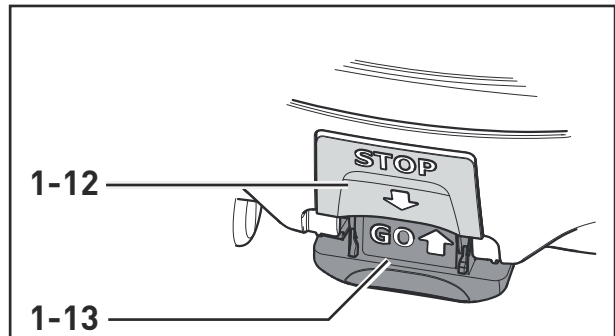
LED lights up red Excessive temperature

- ▶ Switch off the mobile dust extractor, let it cool down.

- ▶ Switch on the mobile dust extractor again after approx. five minutes.

8.3 Locking the brake [1A]

- ▶ Raise the front of the mobile dust extractor slightly.
- ▶ Push down the brake **[1-13]** until it engages into position.
- ▶ Actuate the button **[1-12]** to release it.



8.4 SysDoc



WARNING

Risk of injury

- ▶ Do not stand on the storage area of the mobile dust extractor.



CAUTION

Risk of injury

- ▶ Ensure that the T-Loc or the four SysDoc locks are closed during transport.

A Systainer can be fastened to the storage area **[1-7]** with the T-Loc lock **[1-8]**. Systainers without T-Loc can be secured with the four SysDoc locks **[1-3]**.

9 Working

9.1 Extracting dry materials



CAUTION

Hazardous dust

Damage to the respiratory passage

- ▶ Always use a filter bag!



CAUTION

Hazardous dust

Damage to the respiratory passage

- ▶ Check that the main filter is undamaged before extracting.



When extracting dust that exceeds the limit value, only extract from one dust source (power or compressed-air tool).

Observe the following when extracting dust generated by operating power tools:

Ensure there is adequate ventilation! Observe regional regulations!

Limit values: Exhaust air max. 50% of the fresh air volume

Equation: room volume V_R x air renewal rate L_W

9.2 Extracting wet materials/liquids



Remove the filter bag!
Use a special wet filter.

The dust extractor stops automatically when the maximum fill level is reached.

The bottom LED [1-18] lights up red.

- ▶ Switch off the mobile dust extractor [1-11].
- ▶ Open the locking clips [1-10] and remove the top section of the machine.
- ▶ Empty the dirt trap [1-9].

After wet extraction, allow the main filter to dry!

Dry the mobile dust extractor before extracting dry dust.

	CAUTION
Hazardous dust	
Damage to the respiratory passage	
<ul style="list-style-type: none"> ▶ After extracting wet materials, remove the wet filter and replace it with the main filter for dry materials. 	

	CAUTION
Escaping foam and fluids	
<ul style="list-style-type: none"> ▶ Switch off and empty the machine immediately. 	

9.3 Blow-out function

- ▶ Open the grille in front of the exhaust opening [1-14].
- ▶ Insert the suction hose in the exhaust opening [1-14].
- ▶ In standby mode, press the MAN button [1-17].

9.4 Cleaning the filter and filter bag manually

- ▶ In standby mode, press the MAN button [1-17].
- ▶ Set the suction power to the maximum setting [1-18].
- ▶ Cover the suction hose with your hand while at the same time briefly pressing down the cleaning lever [1-16] three times.

9.5 Changing the filter bag with minimal dust

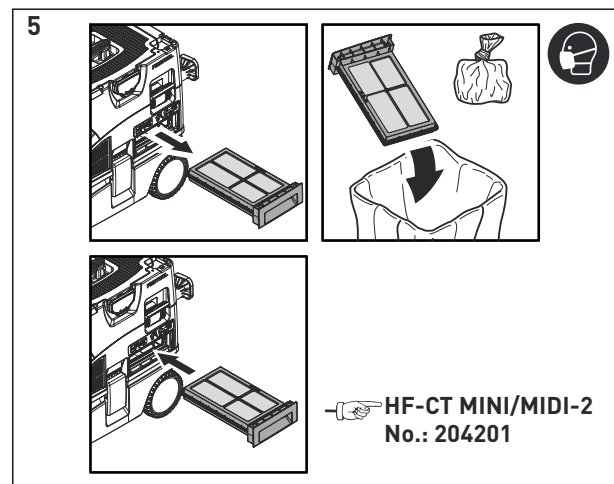
- ▶ Open the locking clips and remove the top section of the machine [2].
- ▶ Pull the tab on the filter bag until the filter bag opening is fully closed.

The filter bag is now securely closed and can be removed.

- ▶ Fit the top section of the machine and close the locking clips.

9.6 Changing the filter element[5]

- ▶ Pull out the used filter drawer [1-15].
- ▶ Dispose of the used filter drawer in accordance with statutory regulations.
- ▶ Insert the new filter drawer [1-15].



Order numbers for accessories, filters and consumables in the Festool catalogue or online at "www.festool.com".

NOTICE

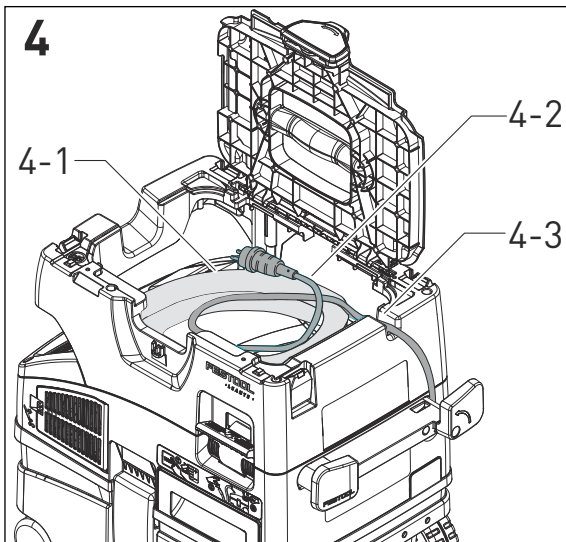
Damage to the motor

- ▶ Never extract material without a main filter or with a damaged main filter, as this can damage the motor.

9.7 After finishing work

- ▶ Switch off the mobile dust extractor and pull out the mains plug.
- ▶ Wind up the mains power cable.
- ▶ Empty the dirt trap.
- ▶ Place the suction hose [4-1] in the sealable hose holder [1-7]. Place the mains power cable [4-2] in the sealable hose holder [1-7] or wind it up on the cord holder. To do so, lay the power cable through the recess [4-3].

- ▶ Vacuum and wipe the inside and outside of the mobile dust extractor to clean it.



- ▶ Place the mobile dust extractor in a dry room inaccessible to unauthorised users.



The lid of the hose holder also serves as a storage area for tools.

10 Service and maintenance



WARNING

Risk of injury, electric shock

- ▶ Always pull the mains plug from the socket before performing any servicing and maintenance work.
- ▶ All maintenance and repair work which requires the motor housing to be opened should always be carried out by an authorised service workshop.

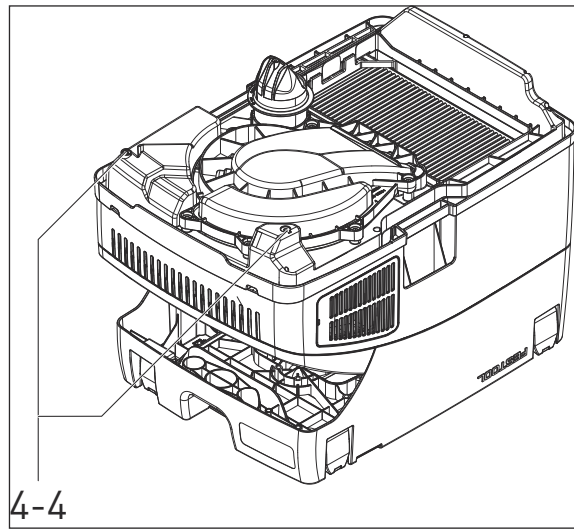


Customer service and repairs must only be carried out by the manufacturer or service workshops: Find the nearest address at: www.festool.com/service



Always use original Festool spare parts. Order no. at: www.festool.com/service

- ▶ Regularly clean the fill level sensors [4-4] and empty the dirt trap .



Observe the following information:

- Dust-related inspection (e.g. for filter damage, tightness of the machine and function of the control devices) by the manufacturer or an instructed person at least once a year.
- Dispose of components that cannot be cleaned. Use impermeable bags to do so. Observe the applicable disposal provisions!

11 Environment

Do not dispose of the device as domestic waste! Dispose of machines, accessories and packaging at an environmentally responsible recycling centre. Observe the respective national regulations.

12 General information

12.1 Bluetooth®

The Bluetooth® word mark and the logos are registered trademarks of Bluetooth SIG, Inc.; they are used by TTS Tooltechnic Systems AG & Co. KG, and therefore by Festool, under licence.

FCC Compliance Statement

This device complies with part 15 of the **FCC Rules**. Operation is subject to the following three conditions:

- (1) This device may not cause harmful interference, and
- (2) this device must accept any interference received, including interference that may cause undesired operation. No changes shall be made to the equipment without the manufacturer's permission as this may void the user's authority to operate the equipment. This device has been designed and complies with the safety requirements for portable RF exposure in accordance with FCC rule part 2.1093 and KDB 447498 D01.

(3) changes or modifications not expressly approved by the party responsible for compliance could void the user's authority to operate the equipment.

RSS Compliance Statement

This device complies with Industry Canada's licence-exempt RSSs. Operation is subject to the following two conditions:

- (1) This device may not cause interference; and
- (2) This device must accept any interference, including interference that may cause undesired operation of the device. This device has been designed and complies with the safety requirement for RF exposure in accordance with RSS-102, issue 5 for portable conditions.

Notes (ISED)

This Class B digital apparatus complies with Canadian ICES-003 and RSS-210. Operation is subject to the following two conditions:

- (1) this device may not cause interference
- (2) this device must accept any interference, including interference that may cause undesired operation of the device.

Radio frequency (RF) Exposure Information

The radiated output power of the Wireless Device is below the Innovation, Science and Economic Development (ISED) radio frequency exposure limits. The Wireless Device should be used in such a manner such that the potential for human contact during normal operation is minimized.

Sommaire

1	Consignes de sécurité.....	15
2	À propos de ce manuel.....	16
3	Symboles.....	17
4	Éléments de l'appareil.....	17
5	Caractéristiques techniques.....	17
6	Utilisation en conformité avec les instructions.....	18
7	Mise en service.....	18
8	Réglages.....	20
9	Mode de travail.....	21
10	Entretien et maintenance.....	22
11	Environnement.....	23
12	Remarques générales.....	23

1 Consignes de sécurité

1.1 Importantes consignes de sécurité

Lors de l'utilisation d'un outil électrique, respectez les mesures fondamentales de précaution, y compris les points suivants :

LISEZ TOUTES LES INSTRUCTIONS

AVANT D'UTILISER LE PRESENT ASPIRATEUR:



AVERTISSEMENT - Afin de minimiser les risques d'incendie, de choc électrique et de blessures :

- Ne laissez pas l'aspirateur mobile sans surveillance lorsque celui-ci est branché. Débranchez l'aspirateur mobile si vous ne l'utilisez pas et avant de procéder à sa maintenance.
- Utilisez l'aspirateur mobile uniquement à l'intérieur.
- N'autorisez pas une utilisation de l'aspirateur mobile en tant que jouet. Soyez particulièrement attentif lorsque l'aspirateur mobile est utilisé par des enfants ou à proximité d'enfants.
- Utilisez l'aspirateur mobile uniquement conformément aux explications de la notice. Utilisez exclusivement les accessoires recommandés par le fabricant.
- N'utilisez pas l'aspirateur mobile avec un câble ou une fiche mâle endommagé. Si l'aspirateur mobile ne fonctionne pas normalement, s'il est tombé par terre, s'il a été endommagé, s'il a été laissé à l'air libre ou s'il est tombé dans l'eau, renvoyez-le à un atelier de réparation.
- Ne tirez ou ne portez pas l'appareil par le câble, n'utilisez pas le câble comme poignée, ne coinciez pas le câble dans des portes ou ne guidez pas le câble le long d'arêtes vives. Ne roulez pas avec l'aspirateur


mobile sur le câble. Eloignez le câble de surfaces chaudes.

- Ne débranchez pas l'aspirateur mobile en tirant sur le câble. Pour débrancher, saisissez la fiche mâle, non le câble.
- Ne manipulez pas le câble ou l'aspirateur mobile avec des mains mouillées.
- Ne placez aucun objet dans les ouvertures. N'utilisez pas l'aspirateur mobile si les ouvertures sont bouchées ; gardez les ouvertures exemptes de poussière, de peluches, de cheveux et autres objets, qui pourraient diminuer le flux d'air.
- Gardez les cheveux, vêtements amples, doigts et toutes les parties du corps éloignés des ouvertures et des pièces mobiles.
- Coupez tout avant de débrancher l'aspirateur mobile.
- Soyez particulièrement prudent lorsque vous nettoyez des escaliers.
- N'aspirez pas de liquides inflammables et explosibles, tels qu'essence, ou n'utilisez pas l'aspirateur mobile dans des zones où de tels liquides se trouvent.
- Branchez l'aspirateur mobile uniquement dans une prise de courant avec terre appropriée. Voir les instructions de mise à la terre.
- N'aspirez rien qui brûle ou fume, tels que cigarettes, allumettes ou cendre chaude, copeaux ou particules chauds, étincelles.
- N'utilisez pas l'aspirateur mobile sans sac à poussières et/ou filtre en place.

CONSERVEZ CES INSTRUCTIONS

1.2 INSTRUCTIONS DE MISE A LA TERRE

Cet appareil doit être relié à la terre. En cas de défaut ou de panne de l'appareil, la mise à la terre assure le chemin le plus direct (avec la résistance la plus faible) pour le courant électrique, afin de minimiser le risque d'un choc électrique. Cet aspirateur mobile est équipé d'un câble possédant un conducteur de protection et une fiche mâle de sécurité ("Schuko"). La fiche mâle doit être branchée dans une prise de courant appropriée, qui est correctement installée et mise à la terre, conformément aux codes et ordonnances locaux.

 **WARNINGAVERTISSEMENT** - Un mauvais raccordement du conducteur de protection peut entraîner un risque de choc électrique. Si vous n'êtes pas certain si la prise de courant est correctement reliée à la terre, faites vérifier cela par un électricien qualifié ou un chargé de maintenance. Ne modifiez pas la fiche mâle livrée avec l'aspirateur mobile – si la fiche mâle ne s'adapte pas dans la prise de courant, faites dans ce cas installer une prise de courant appropriée par un électricien.


1.3 Instructions relatives à la polarisation

Afin de diminuer le risque de choc électrique, cet aspirateur mobile possède une fiche mâle polarisée (une broche est plus large que l'autre). La fiche mâle s'adapte uniquement dans un sens dans la prise de courant polarisée. Si la fiche mâle ne s'adapte pas correctement dans la prise de courant, tournez la fiche. Si, après cela, elle ne s'adapte toujours pas, demandez à un électricien d'installer une prise de courant appropriée. Ne remplacez en aucun cas la fiche mâle.

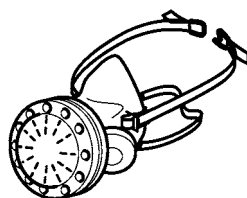
1.4 Instructions relatives à la polarisation

Afin de diminuer le risque de choc électrique, cet aspirateur mobile possède une fiche mâle polarisée (une broche est plus large que l'autre). La fiche mâle s'adapte uniquement dans un sens dans la prise de courant polarisée. Si la fiche mâle ne s'adapte pas correctement dans la prise de courant, tournez la fiche. Si, après cela, elle ne s'adapte toujours pas, demandez à un électricien d'installer une prise de courant appropriée. Ne remplacez en aucun cas la fiche mâle.

1.5 La poussière, un risque pour la santé

 **AVERTISSEMENT!** certaines poussières créées par le ponçage mécanique, le sciage, le meulage, le perçage et autres activités reliées à la construction contiennent des substances chimiques connues (dans l'État de la Californie) comme pouvant causer le cancer, des anomalies congénitales ou représenter d'autres dangers pour la reproduction. Voici quelques exemples de telles substances:

- plomb provenant de peintures à base de plomb,
- silice cristallisée utilisée dans les briques, le ciment et autres matériaux de maçonnerie, et
- arsenic et chrome du bois d'oeuvre traité avec un produit chimique.



Le risque d'exposition à de tels produits varie selon la fréquence à laquelle vous faites ce genre de travail. Pour réduire les risques d'exposition à ces substances chimiques : travaillez dans un endroit adéquatement ventilé et utilisez un équipement de sécurité approuvé, tel que masques antipoussières spécialement conçus pour filtrer les particules microscopiques.



AVERTISSEMENT

POUR RÉDUIRE LE RISQUE DE DOMMAGES, L'UTILISATEUR DOIT LIRE LE MANUEL D'INSTRUCTION.

2 À propos de ce manuel

Conservez ces instructions

Il est important pour vous de lire et de comprendre ce manuel. Les informations qu'il contient, se rapporte à la protection **de votre sécurité** et **de prévention des problèmes**. Les symboles suivants sont utilisés pour vous aider à reconnaître cette information.



DANGER

Description du risque imminent et l'incapacité à éviter tout risque qui peut entraîner la mort.





AVERTISSEMENT

Description des dangers possibles et des blessures qui en résultent ou la mort.









ATTENTION

Description des dangers et des éventuelles blessures qui en résultent.




	AVIS	Déclaration incluant le type de danger et conséquences possibles.
	CONSEIL	Indique des informations, des notes ou des conseils pour améliorer votre succès en utilisant l'outil.

3 Symboles

Symbole	Signification
	Avertissement de danger
	Avertissement contre le risque d'électrocution
	Notice d'utilisation, lire les consignes de sécurité !
	Porter une protection respiratoire !
	Astuce, information
	Consignes opératoires
W	watt
h	heure
min	minute
s	seconde
kg	kilogramme
Pa	pascal
dB	décibel
V	volt
A	ampère
Hz	hertz
~ a.c.	tension alternative

5 Caractéristiques techniques

Aspirateurs mobiles	
Puissance absorbée	2.9 - 10 A (350 - 1200 W)
Valeur de raccordement max. pour la prise de l'appareil	2 A (240 W)

Symbole	Signification
	d.c. courant continu
n_0	Vitesse de rotation à vide
	Class II conception
.../min min ⁻¹	tours ou course par minute
"	pouce
lbs.	livre
	Diamètre

4 Éléments de l'appareil

[1-2]	Prise de l'appareil
[1-3]	SysDoc
[1-4]	Poignée
[1-7]	Logement pour tuyau
[1-8]	Fermeture T-Loc pour Systainer
[1-9]	Cuve de collecte
[1-10]	Clip de fermeture
[1-11]	Interrupteur marche/arrêt
[1-12] + [1-13]	Frein
[1-14]	Ouverture de soufflage
[1-15]	Tiroir de filtre
[1-16]	Nettoyage
[1-17]	Touche MAN
[1-18]	Régulation de la puissance d'aspiration
[1-19]	Témoin de connexion
[1-20]	Touche de connexion

Les figures indiquées se trouvent au début de la notice d'utilisation.

Aspirateurs mobiles		
Débit (air) max., aspirateur/centrale d'aspiration	130 m ³ /h (4591 cu.ft./h) / 222 m ³ /h (7840 cu.ft./h)	
Dépression max., centrale d'aspiration	24,000 Pa	
Surface filtrante	3898 cm ² (604,2 sq.in.)	
Tuyau d'aspiration	27 mm x 3.5 m (1-1/16" x 11.5')	
Longueur du câble de raccordement secteur	7.5 m (295,3 in.)	
Niveau de pression acoustique selon EN 60335-2-69/ incertitude K	70 dB(A)/3 dB	
Valeur de vibrations mains-bras selon EN 60335-6-69/ incertitude K	< 2.5 m/s ² / 1.5 m/s ²	
Indice de protection	IP X4	
Volume de la cuve	CT MINI I	10 l (2.6 gal.)
	CT MIDI I	15 l (4 gal.)
Dimensions L x l x h	CT MINI I	470 x 320 x 455 mm (18.5 in. x 12,6 in. x 17,9 in.)
	CT MIDI I	470 x 320 x 495 mm (18.5 in. x 12,6 in. x 19.5 in.)
Poids	CT MINI I	11.0 kg (24.3 lbs)
	CT MIDI I	11.3 kg (24.9 lbs)

6 Utilisation en conformité avec les instructions

Les aspirateurs mobiles sont appropriés de façon conforme aux prescriptions pour l'aspiration de poussières non dangereuses pour la santé.

L'aspirateur mobile est prévu de façon conforme aux prescriptions pour l'aspiration d'eau.

L'aspirateur mobile est approprié pour l'utilisation à la maison, commerciale ou tous.

L'aspirateur mobile est approprié pour l'utilisation à l'extérieur et rangement à l'intérieur.

Cet aspirateur a été testé et reconnu conforme à la norme OSHA 1926.1153. Le filtre HEPA a été testé et certifié conforme à la norme IEST RP-CC-001, ce qui signifie qu'il filtre et retient à au moins 99,97 % sans fuite de dérivation les particules de taille supérieure ou égale à 0,3 micron contenues dans l'air extrait.



AVERTISSEMENT

Seul l'utilisateur est tenu responsable des dommages qui résulteraient d'une utilisation non conforme aux prescriptions.

7 Mise en service



AVERTISSEMENT

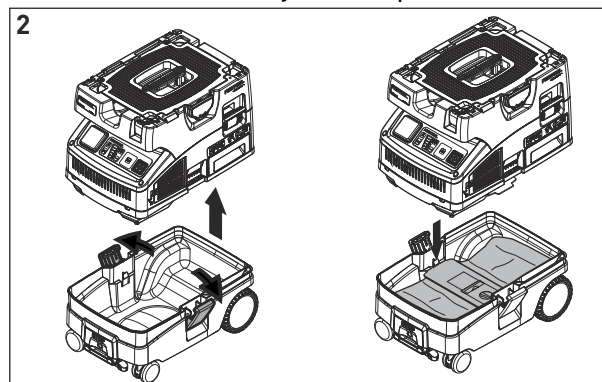
Tension ou fréquence non admissible !

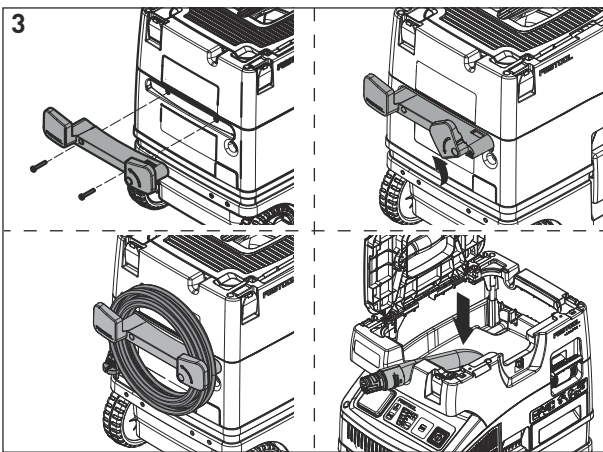
Risque d'accident

- ▶ Respecter les consignes indiquées sur la plaque signalétique.
- ▶ Respecter les particularités propres au pays.

7.1 Première mise en service

- ▶ Installer le sac filtre/sac d'élimination des déchets **[2]**.
- ▶ Monter l'enrouleur de câble **[3]**.
- ▶ Raccorder le tuyau d'aspiration **[3]**.





Lorsque l'aspirateur est relié à la prise secteur, sa prise de courant est constamment sous tension.

Relier l'aspirateur à la prise de courant

L'aspirateur est éteint.

- Relier le câble secteur à la prise de courant.
La prise de courant de l'appareil [1-2] est sous tension.

Mettre l'aspirateur en mode veille

- Appuyer sur l'interrupteur [1-11] marche/arrêt.

La prise de courant de l'appareil [1-2] est sous tension.



Le témoin LED vert [1-18] signale le mode veille.

Enclencher automatiquement l'aspirateur

L'aspirateur est en mode veille.

- Pour enclencher automatiquement l'aspirateur : allumer l'outil raccordé.

Enclencher manuellement l'aspirateur

L'aspirateur est en mode veille.

- Appuyer sur la touche MAN [1-17].



Lorsque l'aspirateur n'est pas utilisé, ainsi qu'avant les opérations d'entretien et de nettoyage, débrancher la fiche secteur de l'aspirateur de la prise de courant.

7.4 Raccorder l'outil électroportatif



AVERTISSEMENT

Risque de blessures

- Respecter la valeur de raccordement max. valable pour la prise de courant de l'appareil (voir chapitre Caractéristiques techniques).
- Éteindre l'outil électroportatif.

Relier à l'aspirateur un outil électroportatif fonctionnant sur secteur

- Brancher l'outil électroportatif sur la prise de courant de l'appareil [1-2].

L'outil électroportatif est relié à l'aspirateur par le câble secteur.

Relier à l'aspirateur un outil électroportatif sans fil (MINI I / MIDI I)

- En mode veille, appuyer sur la touche de connexion [1-20].

Le témoin de connexion [1-19] clignote lentement. L'aspirateur est prêt pour la connexion pendant 60 secondes.

7.2 Rallonge électrique

Si une rallonge électrique est nécessaire, elle doit présenter une section suffisante afin d'éviter une chute de tension excessive ou une surchauffe. Une chute de tension excessive réduit la puissance et peut entraîner la destruction du moteur. Le tableau ci-dessous vous présente la section correcte de la rallonge en fonction de sa longueur pour cet appareil.

Longueur totale de la rallonge (pieds)	25	50	100	150
--	----	----	-----	-----

Section de la rallonge (AWG)	14	12	pas recommandé	
------------------------------	----	----	----------------	--

Utilisez exclusivement des rallonges recommandées par U.L. et CSA.

N'utilisez jamais deux rallonges raccordées l'une à l'autre, mais remplacez-les par une rallonge plus longue.



Plus le calibre AWG est bas, plus le câble est résistant.

7.3 Raccorder l'aspirateur



AVERTISSEMENT

Risque de blessures dû à un démarrage incontrôlé des outils

- Avant la mise en marche, s'assurer que l'outil raccordé est éteint.



AVERTISSEMENT

Risque de blessures dû au courant électrique

- Brancher la fiche secteur dans une prise de courant mise à la terre.
- Ne pas mettre les doigts dans la prise de courant de l'aspirateur.

- ▶ Allumer l'outil électroportatif sans fil. L'aspirateur se met en marche et l'outil électroportatif sans fil est connecté jusqu'à la mise à l'arrêt manuelle de l'aspirateur ou le débranchement de la fiche secteur. L'appareil sans fil doit ensuite être à nouveau couplé.

Au couplage d'un nouvel outil électroportatif sans fil, la connexion utilisée jusqu'à présent est écrasée.

7.5 Connecter un terminal mobile (MINI I / MIDI I)

Il est possible de connecter un terminal mobile (par ex. un smartphone) à l'aspirateur via **Bluetooth®** (par ex. pour une mise à jour du logiciel avec l'application Festool).


- ▶ En mode veille, maintenir enfoncée la touche de connexion **[1-20]** de l'aspirateur pendant 3 secondes. Le témoin de connexion **[1-19]** clignote rapidement. L'aspirateur est prêt pour la connexion pendant 60 secondes.
- ▶ Suivre les instructions fournies dans l'application Festool.


7.6 Commande à distance (MINI I / MIDI I)

Connecter la commande à distance et l'aspirateur

Pour pouvoir connecter une commande à distance à un aspirateur, une réinitialisation de la commande à distance est nécessaire (voir Réinitialisation de la commande à distance).

Les commandes à distance qui n'ont encore jamais été connectées peuvent l'être directement.

 La connexion établie entre des commandes à distance et l'aspirateur est conservée même après la mise à l'arrêt manuelle ou le débranchement de la fiche secteur de l'aspirateur.

 L'aspirateur peut être connecté simultanément à cinq commandes à distance au maximum. L'aspirateur peut être connecté simultanément à un outil électroportatif sans fil.

- ▶ En mode veille, maintenir enfoncée la touche de connexion **[1-20]** de l'aspirateur pendant 3 secondes. Le témoin de connexion **[1-19]** clignote rapidement.

L'aspirateur est prêt pour la connexion pendant 60 secondes.

- ▶ Appuyer sur la touche MAN de la commande à distance.

La commande à distance est enregistrée durablement dans l'aspirateur.

Mise en marche/à l'arrêt

Une fois la commande à distance connectée à l'aspirateur, celle-ci permet de le mettre en marche et à l'arrêt.

- ▶ Pour la mise en marche/à l'arrêt, appuyer sur la touche MAN de la commande à distance.

Réinitialisation sur la commande à distance

La réinitialisation permet de supprimer la connexion entre une commande à distance et l'aspirateur.

- ▶ Maintenir la touche de connexion et la touche MAN enfoncées pendant 10 secondes. Le témoin LED s'allume en magenta lorsque la réinitialisation est terminée.

7.7 Supprimer tous les appareils enregistrés. (MINI I / MIDI I)

- ▶ Maintenir enfoncée la touche de connexion **[1-20]** pendant au moins 3 secondes. Le témoin de connexion **[1-19]** clignote rapidement.
- ▶ Relâcher la touche de connexion.
- ▶ En l'espace de 3 secondes, maintenir enfoncées simultanément les touches plus et moins **[1-18]** pendant au moins 3 secondes. L'aspirateur confirme l'opération en clignotant trois fois rapidement.

8 Réglages

8.1 Réguler la puissance d'aspiration

- ▶ En mode aspiration, appuyer sur la touche plus ou moins **[1-18]**.

8.2 Fusible thermique

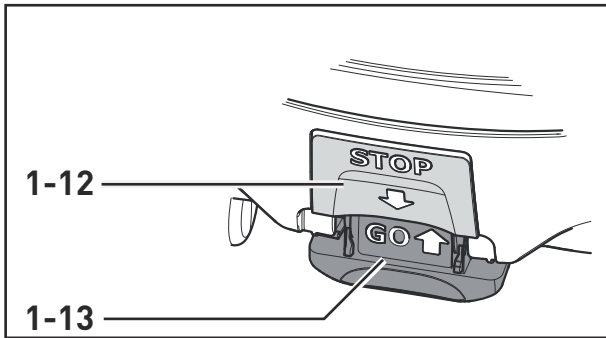
Afin d'éviter une surchauffe, le fusible thermique coupe l'aspirateur avant d'atteindre la température critique. Le témoin LED inférieur **[1-18]** indique un défaut.

Le témoin LED s'allume en rouge	Température excessive
---------------------------------	-----------------------

- ▶ Éteindre l'aspirateur et le laisser refroidir.
- ▶ Rallumer l'aspirateur au bout de 5 minutes environ.

8.3 Serrer le frein [1A]

- ▶ Soulever légèrement l'aspirateur à l'avant.
- ▶ Appuyer sur le frein [1-13] vers le bas jusqu'à ce qu'il soit enclenché.
- ▶ Pour le desserrer, utiliser la touche [1-12].



8.4 SysDoc

AVERTISSEMENT

Risque de blessures

- ▶ Ne pas monter sur la surface de dépose de l'aspirateur.

ATTENTION

Risque de blessures

- ▶ Pour le transport, veiller à fermer le T-Loc ou les quatre fermetures SysDoc.

Il est possible de fixer un Systainer sur la surface de dépose [1-7] au moyen de la fermeture T-Loc [1-8]. Les Systainer sans T-Loc peuvent être fixés au moyen des quatre fermetures SysDoc [1-3].

9 Mode de travail

9.1 Aspirer des matières sèches

ATTENTION

Poussières nocives pour la santé
Lésions des voies respiratoires

- ▶ Utiliser toujours un sac filtre.

ATTENTION

Poussières nocives pour la santé
Lésions des voies respiratoires

- ▶ Avant d'utiliser l'aspirateur, vérifier que le filtre principal est en bon état.

En cas d'aspiration de poussières dépassant la valeur limite, utiliser l'aspirateur pour une seule source de poussière (outil électrique ou pneumatique).

Respecter les consignes suivantes lors de l'aspiration de poussières générées par des outils électroportatifs en fonctionnement :

Veiller à une aération suffisante. Respecter les dispositions régionales.

Valeurs limites : l'air évacué ne doit pas dépasser 50 % du volume d'air frais

Formule : volume du local V_R x taux de renouvellement de l'air L_W

9.2 Aspiration de matières mouillées/liquides



Retirer le sac filtre.

Utiliser des filtres spéciaux pour liquides.

Lorsque la hauteur de remplissage maximale est atteinte, le fonctionnement de l'aspirateur est interrompu automatiquement.

Le témoin LED [1-18] inférieur s'allume en rouge.

- ▶ Éteindre l'aspirateur [1-11].
- ▶ Ouvrir les clips de fermeture [1-10] et retirer la partie supérieure de l'appareil.
- ▶ Vider la cuve de collecte [1-9].

Après l'aspiration de liquides, laisser sécher le filtre principal.

Sécher l'aspirateur avant l'aspiration de poussières sèches.

ATTENTION

Poussières nocives pour la santé
Lésions des voies respiratoires

- ▶ Après l'aspiration de liquides, retirer le filtre pour liquides et le remplacer par le filtre principal pour matières sèches.

ATTENTION

Fuite de mousse et de liquides

- ▶ Éteindre immédiatement l'appareil et le vider.

9.3 Fonction de soufflage

- ▶ Ouvrir la grille située devant l'ouverture de soufflage [1-14].
- ▶ Insérer le tuyau d'aspiration dans l'ouverture de soufflage [1-14].
- ▶ En mode veille, appuyer sur la touche MAN [1-17].

9.4 Nettoyer manuellement le filtre et le sac filtre

- ▶ En mode veille, appuyer sur la touche MAN [1-17].