

en	Original Instructions - Mobile dust extractors	6
fr	Notice d'utilisation d'origine - Aspirateurs mobile	15
es	Manual de instrucciones original - Sistemas móviles de aspiración	24

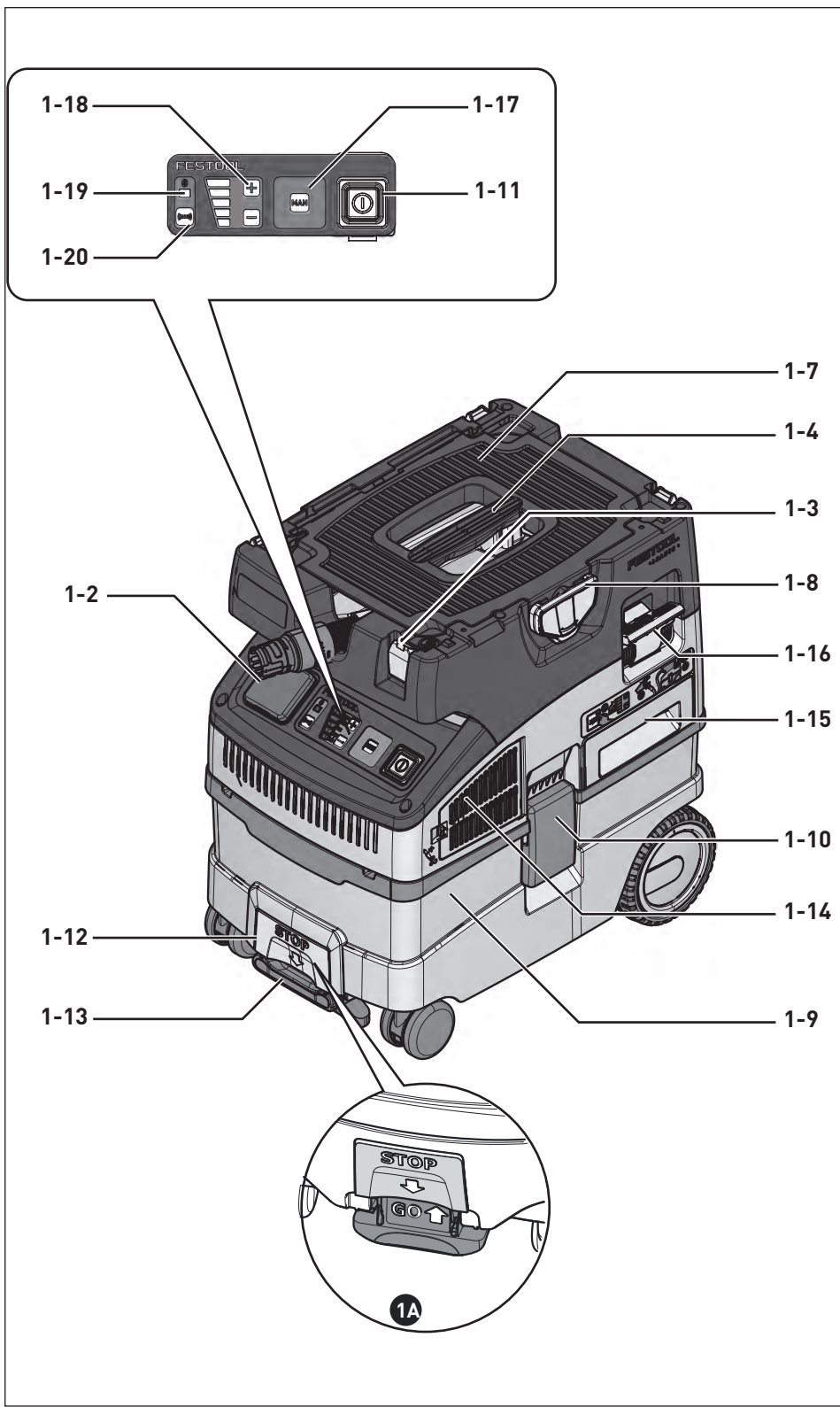


Read all instructions before using
Lea todas las instrucciones antes de usar.

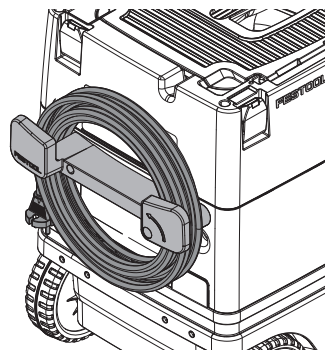
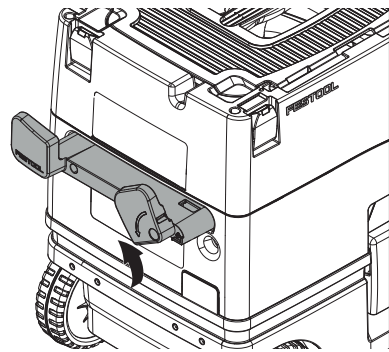
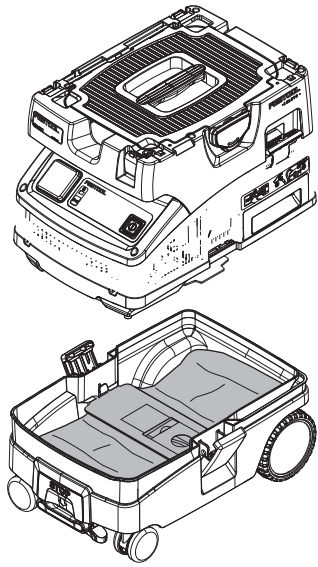
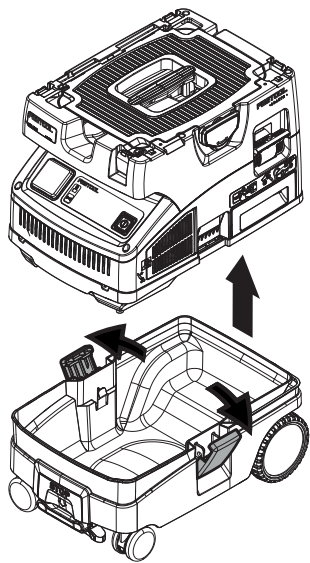


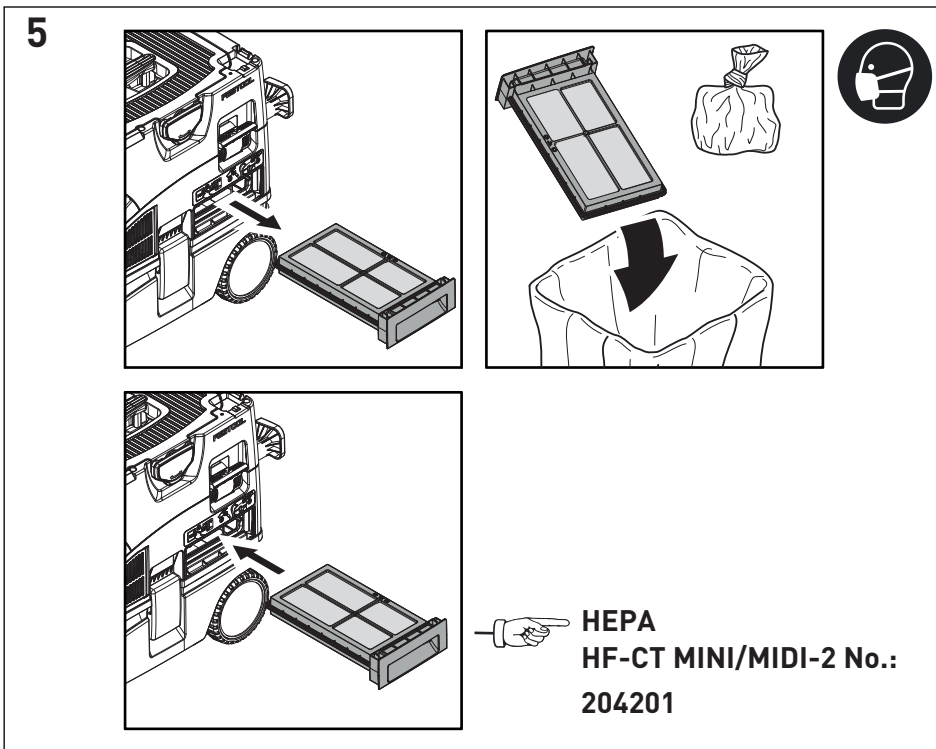
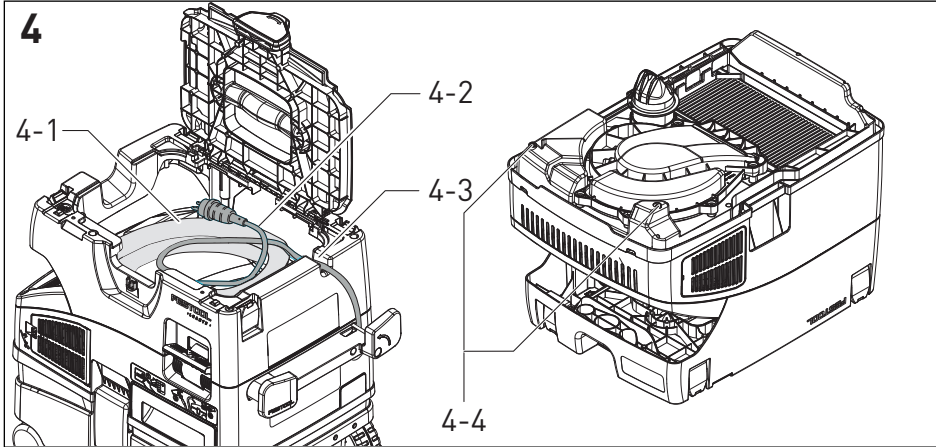
CT MINI I HEPA CT MIDI I HEPA





2





Contents

1	Safety warnings.....	6
2	About this manual.....	7
3	Symbols.....	7
4	Parts of the machine.....	8
5	Technical data.....	8
6	Intended use.....	9
7	Commissioning.....	9
8	Settings.....	11
9	Working.....	11
10	Service and maintenance.....	13
11	Environment.....	13
12	General information.....	13

1 Safety warnings

1.1 IMPORTANT SAFETY INSTRUCTIONS

When using an electrical appliance, basic precautions should always be followed, including the following:

READ ALL INSTRUCTIONS

BEFORE USING THIS DUST EXTRACTOR:



WARNING - To reduce the risk of fire, electric shock, or injury:

- Do not leave the dust extractor when plugged in. Unplug from outlet when not in use and before servicing.
- Use indoors only.
- Do not allow to be used as a toy. Close attention is necessary when used by or near children.
- Use only as describes in this manual. Use only manufacturer's recommended attachments.
- Do not use with damaged cord or plug. If the dust extractor is not working as it should, has been dropped, damaged, left outdoors, or dropped into water, return it to a service center.
- Do not pull or carry by cord, use cord as a handle, close a door on cord, or pull cord around sharp edges or corners. Do not run dust extractor over cord. Keep cord away from heated surfaces.
- Do not unplug by pulling on cord. To unplug, grasp the plug, not the cord.
- Do not handle plug or dust extractor with wet hands.
- Do not put any object into openings. Do not use with any opening blocked; keep free of dust, lint, hair, and anything that may reduce air flow.

- Keep hair, loose clothing, fingers, and all parts of body away from openings and moving parts.
- Turn off all controls before unplugging.
- Use extra care when cleaning on stairs.
- Do not use to pick up flammable or combustible liquids, such as gasoline, or use in areas where they may be present.
- Connect to a properly grounded outlet only. See Grounding instructions.
- Do not pick up anything that is burning or smoking, such as cigarettes, matches, or hot ashes, hot chips or particles, sparks.
- Do not use without dust bag and/or filters in place.

SAVE THESE INSTRUCTIONS

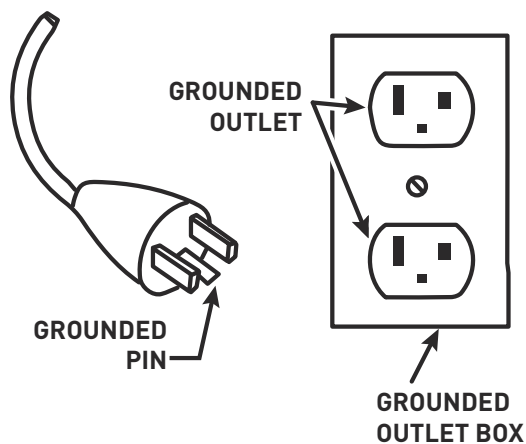
1.2 GROUNDING INSTRUCTIONS

This appliance must be grounded. If it should malfunction or breakdown, grounding provides a path of least resistance for electric current to reduce the risk of electric shock. This vacuum cleaner is equipped with a cord having an equipment-grounding conductor and grounding plug. The plug must be inserted into a appropriate outlet that is properly installed and grounded in accordance with all local codes and ordinances.



WARNING - Improper connection of the equipment grounding conductor can result in a risk of electric shock. Check with a qualified electrician or service person if you are in doubt as to whether the outlet is properly grounded. Do not modify the plug provided with the dust extractor - if it will not fit the outlet, have a proper outlet installed by a qualified electrician.

GROUNDING METHODS - SKETCH A



This appliance is for use on a nominal 120-V circuit and has a grounding attachment plug that looks like the plug

illustrated in sketch A in Figure beside. Make sure that the appliance is connected to an outlet having the same configuration as the plug. No adaptor should be used with this appliance.

1.3 Polarization Instructions

To reduce the risk of electric shock, this vacuum cleaner has a polarized plug (one blade is wider than the other). This plug will fit in a polarized outlet only one way. If the plug does not fit fully in the outlet, reverse the plug. If it still does not fit, contact a qualified electrician to install the proper outlet. Do not change the plug in any way.

1.4 Further safety instructions

- This appliance must not be used by persons (including children) with reduced physical, sensory or mental capabilities, or lack of experience and knowledge. **Children** need to be supervised to ensure they do not play with the appliance.



CAUTION

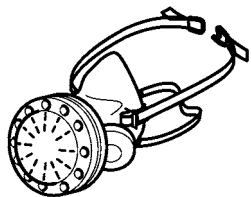
This machine is for indoor use only. This machine shall be stored indoors only.

1.5 Health hazard by dust



WARNING! various dust created by power sanding, sawing, grinding, drilling and other construction activities contains chemicals known (to the State of California) to cause cancer, birth defects or other reproductive harm. Some examples of these chemicals are:

- lead from lead-based paints,
- crystalline silica from bricks and cement and other masonry products, and
- arsenic and chromium from chemically treated lumber.



The risk from these exposures varies, depending on how often you do this type of work. To reduce your exposure to these chemicals: work in a well ventilated area, and work with approved safety equipment, such as dust masks that are specially designed to filter out microscopic particles. Wash hands after handling.



WARNING

TO REDUCE THE RISK OF INJURY, USER MUST READ INSTRUCTION MANUAL.

2 About this manual

Save these instructions

It is important for you to read and understand this manual. The information it contains relates to protecting **your safety** and **preventing problems**. The symbols below are used to help you recognize this information.



DANGER Description of imminent hazard and failure to avoid hazard will result in death.



WARNING Description of hazard and possible resulting injuries or death.



CAUTION Description of hazard and possible resulting injuries.



NOTICE Statement including nature of hazard and possible result.



HINT Indicates information, notes, or tips for improving your success using the tool.

3 Symbols

Symbol	Significance
	Warning of general danger
	Risk of electric shock
	Read operating instructions and safety notices!
	Wear a dust mask.
	Tip or advice
	Handling instruction
W	watt
h	hour
min	minutes
s	seconds
kg	kilograms
Pa	pascal
dB	decibel



Warning of general danger



Risk of electric shock



Read operating instructions and safety notices!



Wear a dust mask.



Tip or advice



Handling instruction

W watt

h hour



min minutes

s seconds

kg kilograms

Pa pascal

dB decibel

Symbol	Significance		
V	volts	[1-4]	Handle
A	amperes	[1-7]	Hose holder
Hz	hertz	[1-8]	T-Loc lock for Systainers
~ a.c.	alternating current	[1-9]	Dirt trap
≡ d.c.	direct current	[1-10]	Locking clip
n_0	no load speed	[1-11]	On/off switch
	Class II construction	[1-12] + [1-13]	Brake
rpm min ⁻¹	revolutions per minute	[1-14]	Exhaust opening
"	inch	[1-15]	Filter drawer
lbs.	pound	[1-16]	Dedusting
	diameter	[1-17]	MAN button
		[1-18]	Suction power adjustment
		[1-19]	Connection display
		[1-20]	Connection button

4 Parts of the machine

[1-2] Appliance socket

[1-3] SysDoc

The specified figures appear at the beginning of the operating manual.

5 Technical data

Mobile dust extractors		
Power consumption		2.9 - 10 A (350 - 1200 W)
Max. electrical outlet module connected load		2 A (240 W)
Max. suction capacity (air), extractor/turbine		130 m ³ /h (4591 cu.ft./h) / 222 m ³ /h (7840 cu.ft./h)
Max. vacuum, turbine		24,000 Pa
Filter surface area		3898 cm ² (604,2 sq.in.)
Suction hose		27 mm x 3.5 m (1-1/16" x 11.5')
Mains power cable length		7.5 m (295,3 in.)
Sound pressure level as per EN 60335-2-69/uncertainty K		70 dB(A)/3 dB
Hand-arm vibration value as per EN 60335-2-69/uncertainty K		< 2.5 m/s ² / 1.5 m/s ²
Degree of protection		IP X4
Container capacity	CT MINI I	10 l (2.6 gal.)
	CT MIDI I	15 l (4 gal.)
Dimensions L x W x H	CT MINI I	470 x 320 x 455 mm (18.5 in. x 12,6 in. x 17,9 in.)