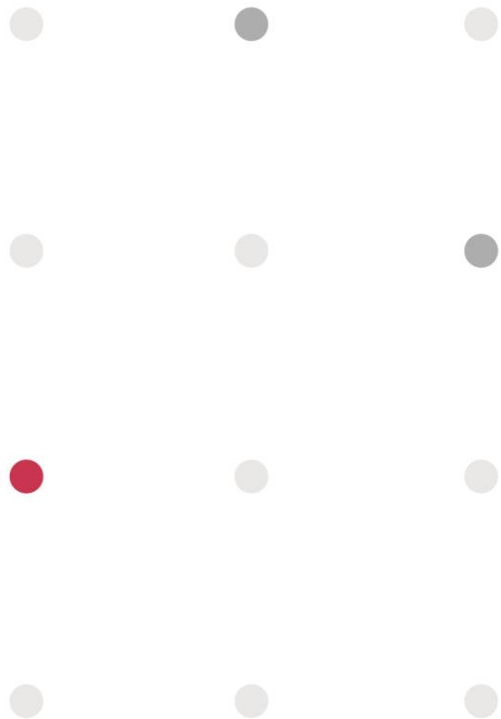


PSA

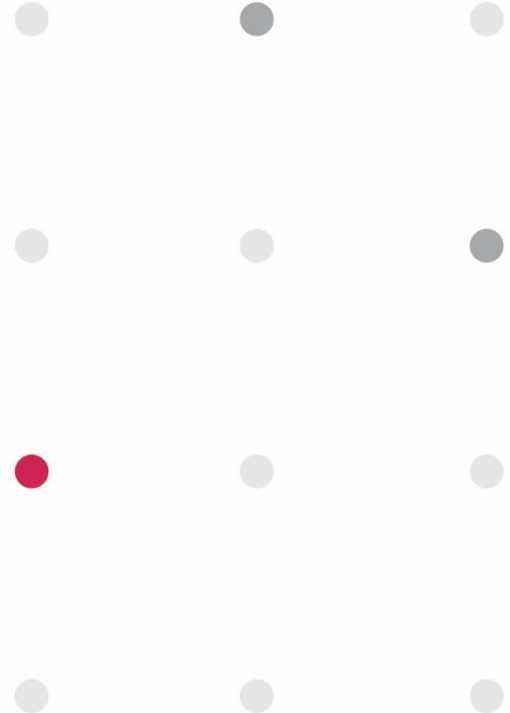
# 佳邦科技股份有限公司

INPAQ TECHNOLOGY CO., LTD.



PSA

PASSIVE SYSTEM ALLIANCE  
INPAQ TECHNOLOGY CO., LTD.



# 天彩\_K7

Presented by  
FangTan Jin

INPAQ Technology Co., Ltd.

2022/11/16

<b>Version</b>	<b>Date</b>	<b>Description</b>	<b>Author</b>
V01	2022/11/09	New Release	FangTan Jin

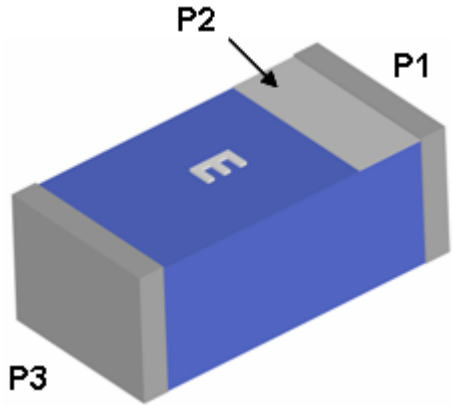
## FEATURES

1. Surface Mounted Devices with a small dimension of 3.2 X 1.6 X1.2 mm<sup>3</sup> meet future miniaturization trend.
2. LTCC process
3. High stability in Temperature / Humidity Change
4. Multilayer ceramic antenna(chip antenna)

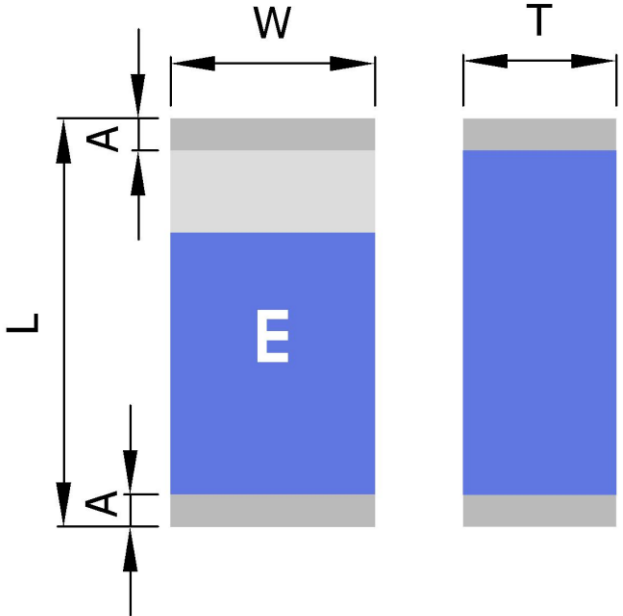
## APPLICATIONS

1. 2.4GHz ISM band RF applications
2. Bluetooth, Wireless, HomeRF

## CONSTRUCTION



PIN	Connection
1	Feeding
2	Identification Mark
3	Soldering terminal

Figure	Symbol	Dimension (mm)
	L	$3.20 \pm 0.20$
	W	$1.60 \pm 0.10$
	T	$1.20 \pm 0.10$
	A	$0.25 \pm 0.15$

# OUTLINE

## 1. Measurement Information

1.1 Experimental Setup

1.2 Antenna Solution Detail

## 2. Antenna Characteristics

2.1 S-Parameter

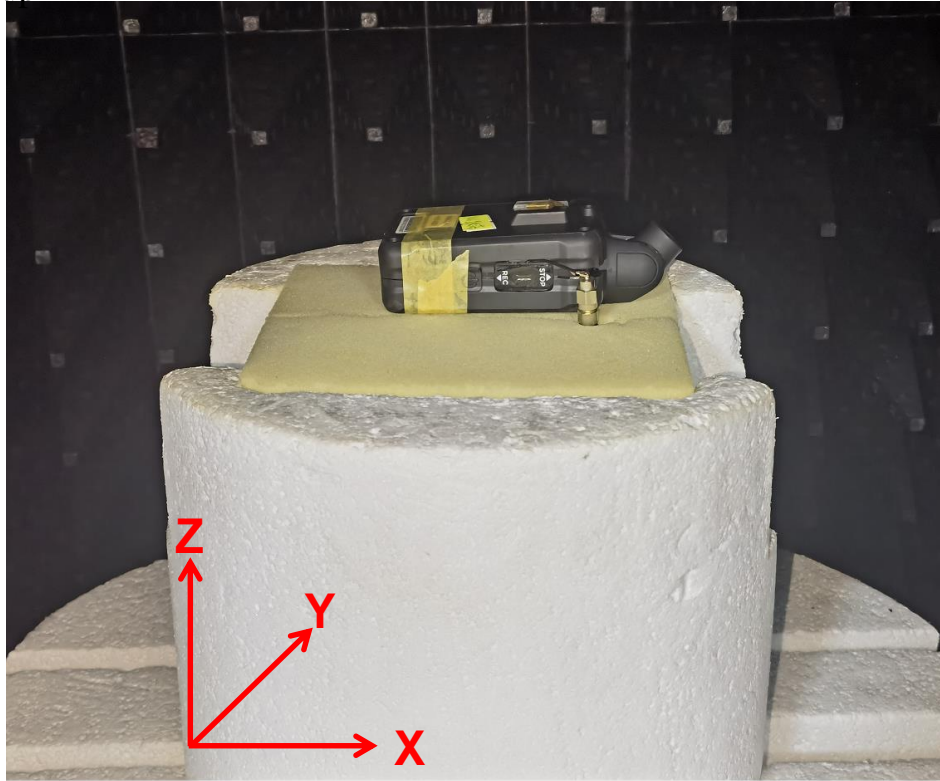
2.2 Antenna Efficiency and Peak Gain

2.3 3D Pattern & 2D Radiation Patterns

2.4 Summary Table

# 1. Measurement Information

## 1.1 Experimental Setup



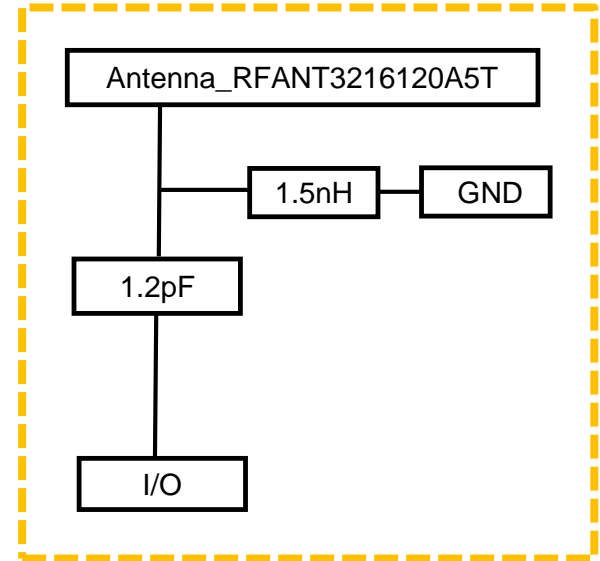


# 1. Measurement Information

## 1.2 Antenna Solution Detail

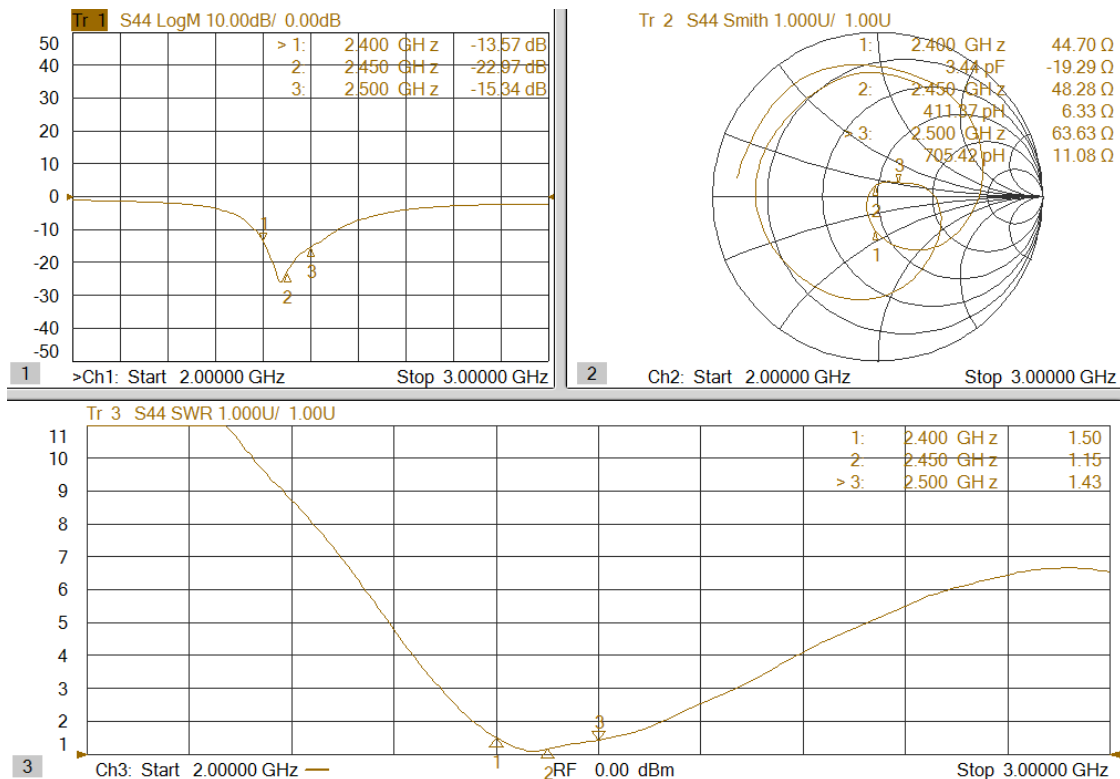


### Matching values



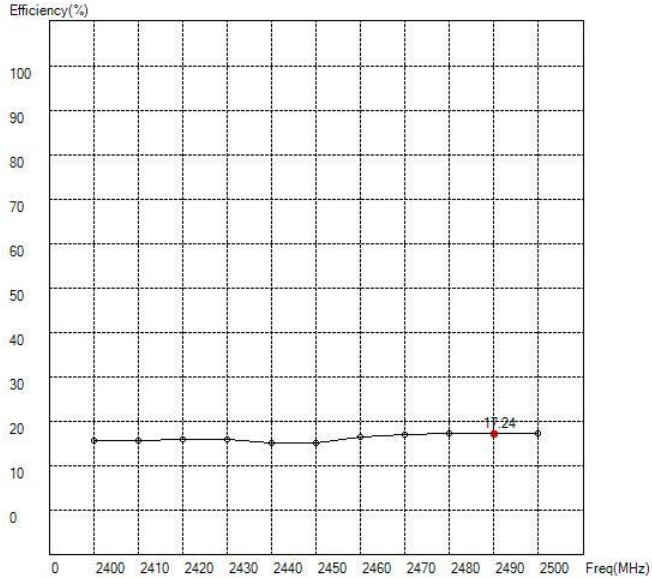
## 2. Antenna Characteristics

### 2.1 S-Parameter

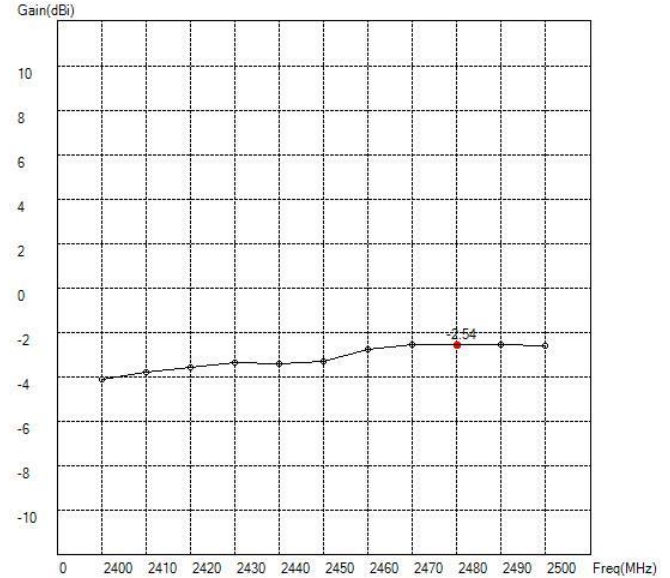


## 2. Antenna Characteristics

### 2.2 Antenna Efficiency and Peak Gain



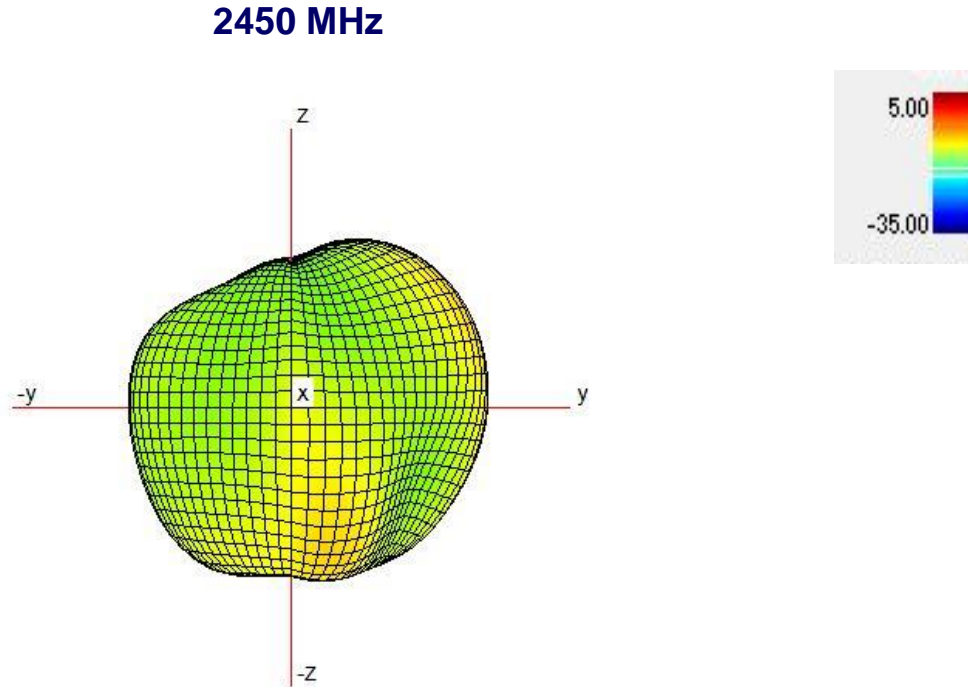
Maximum Efficiency at 2490MHz : 17.24 %



Maximum Peak Gain at 2480 MHz : -2.54 dBi

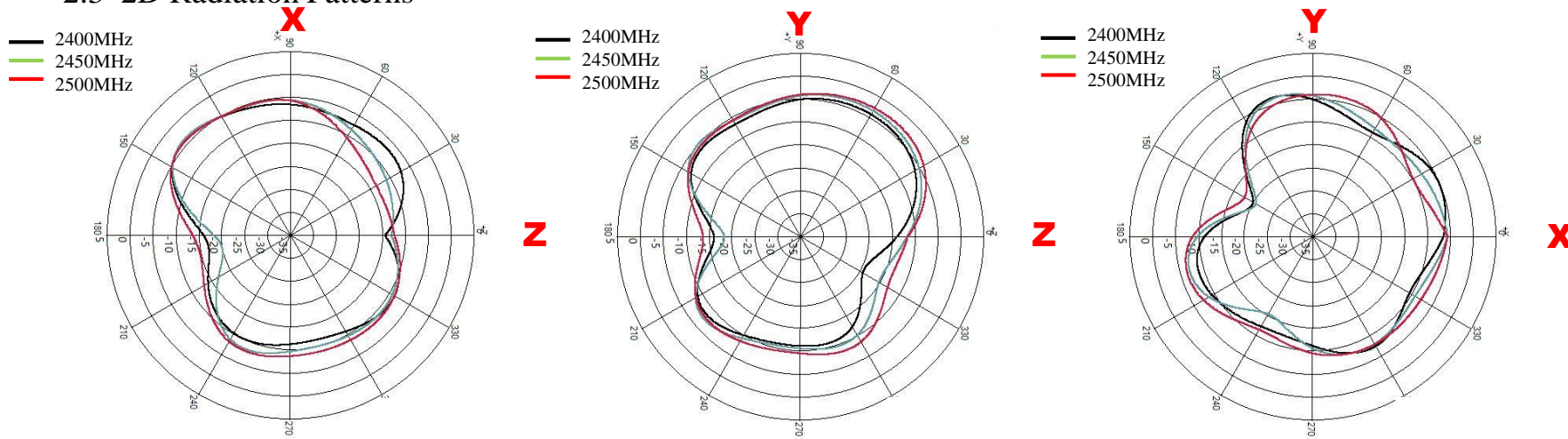
## 2. Antenna Characteristics

### 2.3 3D Pattern



## 2. Antenna Characteristics

### 2.3 2D Radiation Patterns



Frequency [MHz]	ZX plane		ZY plane		XY plane	
	Max Value [dBi]	Average [dBi]	Max Value [dBi]	Average [dBi]	Max Value [dBi]	Average [dBi]
2400	-5.11	-8.48	-4.18	-8.27	-5.03	-8.21
2450	-4.96	-8.49	-3.27	-7.29	-4.25	-8.13
2500	-5.04	-8.37	-2.60	-6.71	-3.98	-7.59

## 2. Antenna Characteristics

### 2.4 Summary Table

<b>ANT</b>			
<b>Frequency (MHz)</b>	<b>2400</b>	<b>2450</b>	<b>2500</b>
<b>Efficiency (%)</b>	<b>15.55</b>	<b>15.21</b>	<b>17.19</b>
<b>Peak gain (dBi)</b>	<b>-4.12</b>	<b>-3.27</b>	<b>-2.60</b>

# Thank you

本資料均屬機密，僅供指定之收件人使用，未經寄件人許可不得揭露、複製或散佈本信件。

This message and any attachments are confidential and may be legally privileged. Any unauthorized review, use or distribution by anyone other than the intended recipient is strictly prohibited. If you are not the intended recipient, please immediately notify the sender, completely delete this documents, and destroy all copies. Your cooperation will be highly appreciated.