

1. Specification

- . Product Number: VM2450-25523-OOX-180
- . Version : 1.0

Electrical Characteristics

- . Frequency (MHz) : 2400-2500 / 5150-5850
- . S.W.R. : ≤ 2.0 @ 2400-2500 MHz
 ≤ 2.0 @ 5150-5850 MHz
- . Return Loss : > 10 dB @ 2400-2500 MHz
 > 10 dB @ 5150-5850 MHz
- . Peak Gain : 2.5dBi @ 2400-2500 MHz
3.0dBi @ 5150-5850 MHz
- . Impedance : 50 ohm
- . Polarization : Linear

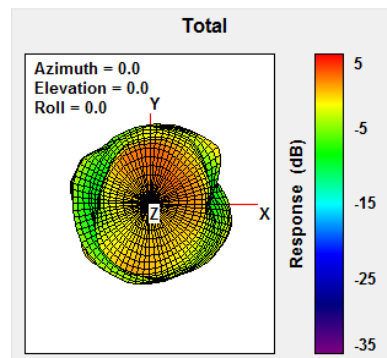
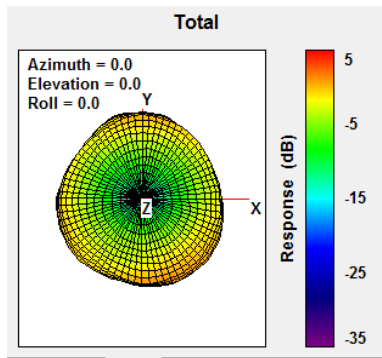
Mechanical Characteristics

- . Antenna Type : PIFA
- . Cable : RF-1.13 Black
- . Connector : MHF(IV)
- . Connector Pull Force : > 1.0 Kg
- . FPCB Color : Black
- . Material : RoHS Compatible / RoHS 2011/65/EU with IEC 62321:2008

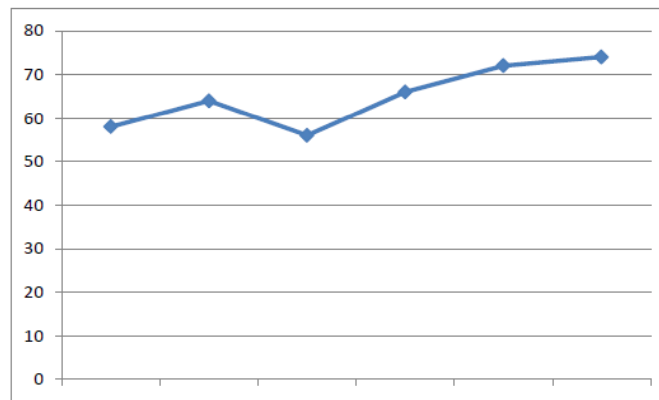
Environmental Condition

- . Operation Temperature : $-30 \sim +65$ °C
- . Storage Temperature : $-30 \sim +85$ °C

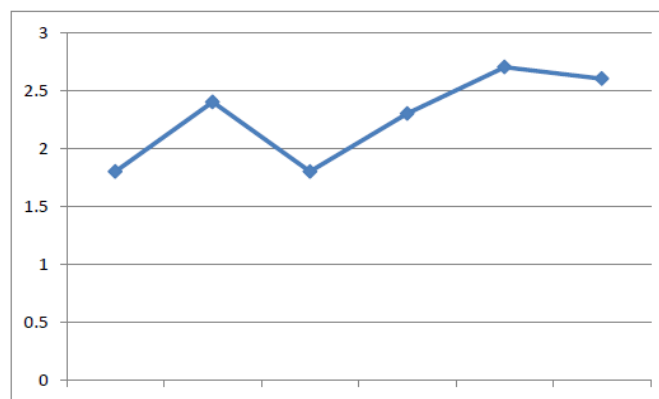
3. Gain / Efficiency Test Data



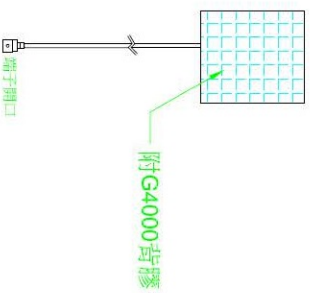
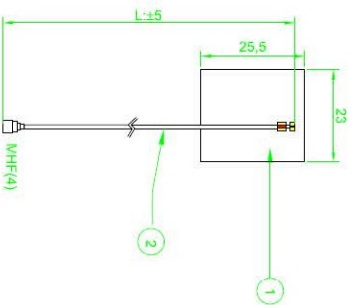
MHz	Eff (%)
2400	58
2450	64
2500	56
5150	66
5550	72
5850	74



MHz	Gain (dBi)
2400	1.8
2450	2.4
2500	1.8
5150	2.3
5550	2.7
5850	2.6



ITEM	PART NO.	Description	QTY	NOTE
1	5924009540	FREQ 26.545GHz,mm	1	
2	3914239830	RF 1.15 180mm	1	Black



THE DRAWING IS A CONTROLLED DOCUMENT

REVISED DRAWING MODEL TOLERANCE
 X 0.15
 XX 0.25
 XXX 0.40

THESE DIMENSIONS ARE REFERENCED TO THE CENTER OF GRAVITY UNLESS OTHERWISE SPECIFIED
 DIMENSIONS IN SQUARE BRACKETS ARE FOR PUNCHING AND DRILLING
 DIMENSIONS IN PARENTHESES ARE FOR FINISH

ALL DIMENSIONS SHOWN IN THIS DRAWING ARE TO BE CONSIDERED AS CENTER TO CENTER UNLESS OTHERWISE SPECIFIED
 ALL DIMENSIONS ARE AFTER FINISH
 UNLESS OTHERWISE SPECIFIED

APPROVED BY:
 CHECKED BY:
 DRAWN BY:
 THIRD ANGLE PROJECTION
 MATERIAL:
 FINISH:
 SCALE: 2/1 UNIT:mm
 DATE :

DRAWN BY:		TITLE :	DUAL BAND ANTENNA
CHECKED BY:		DRAW No.:	
APPROVED BY:		PART No.:	VM2458-25523-00X-180
THIRD ANGLE PROJECTION			
MATERIAL:			
FINISH:			
SCALE: 2/1 UNIT:mm			
DATE :			

維克摩爾科技有限公司