

維克摩爾產品承認書

Specification For Approval

日期：2018/7/2

Date

編號：R-20180702006

File No.

承認廠商：彤晟科技有限公司

Customer

製造廠商：維克摩爾科技有限公司

Manufacturer

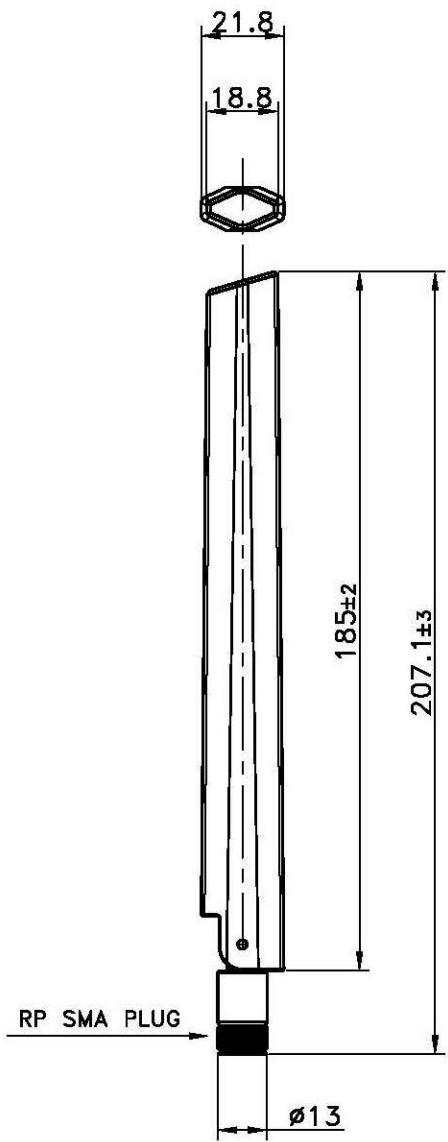
型號品名 2.4/5G WIFI ANTENNA+RF CABLE 180mm

Part Number

Description VM2450-ASSY1005 453300000006

廠商審核：

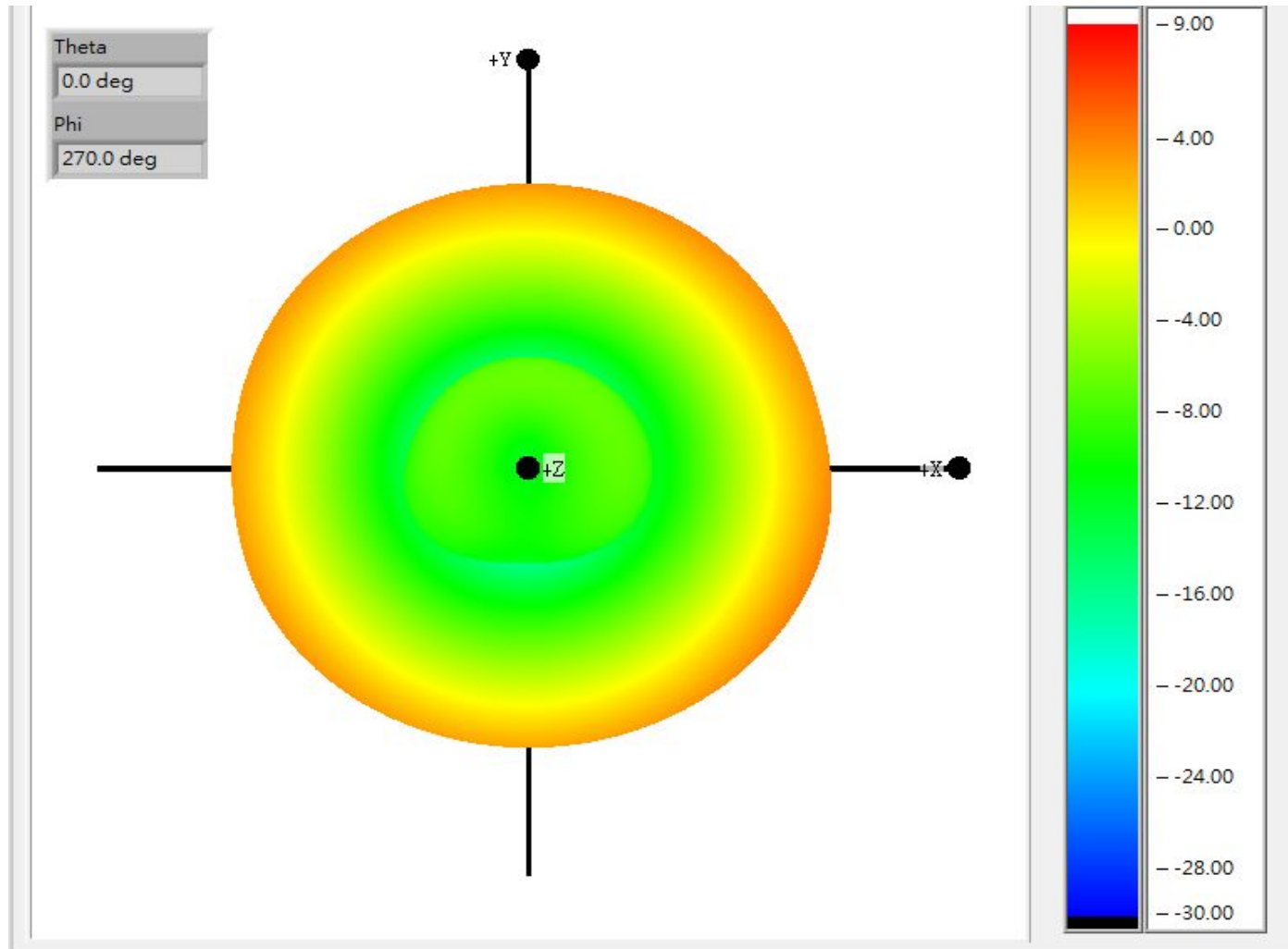
Approved By



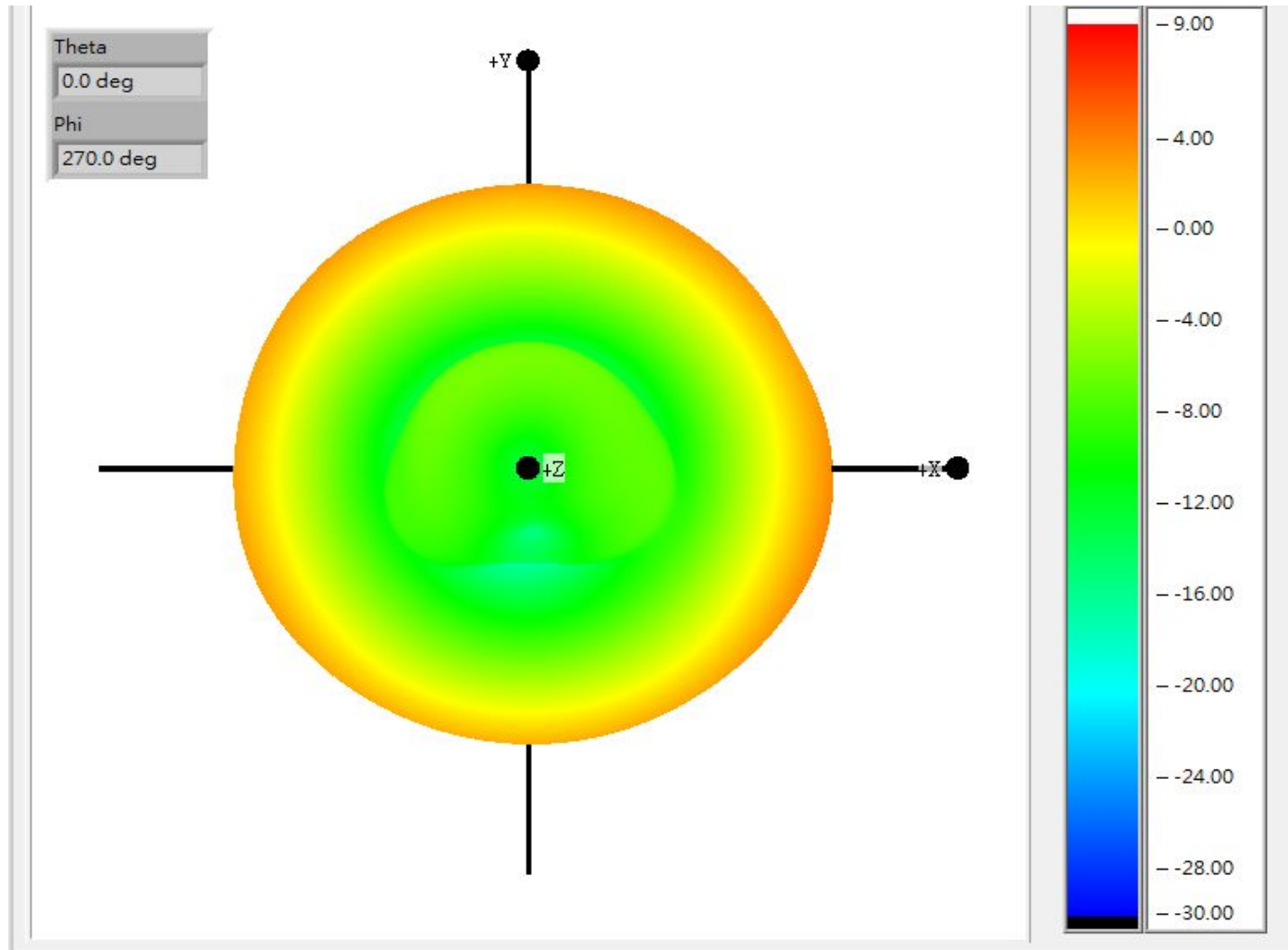
THE DRAWING IS A CONTROLLED DOCUMENT ORIGINAL, REVISIONS, MODEL, TOLERANCES X 1 3025 13/12 XX 3026 13/12 XXX 3027 13/12 THE DRAWING IS NOT TO BE USED FOR PRODUCTION UNLESS IT IS APPROVED BY THE DESIGN ENGINEER. TOLERANCES: ALL DIMENSIONS ARE IN MILLIMETERS UNLESS OTHERWISE SPECIFIED. FINISH: ALL SURFACES TO BE FINISHED TO THE STANDARD SPECIFICATION FOR THE MATERIAL. UNLESS OTHERWISE SPECIFIED, ALL DIMENSIONS ARE TO BE TAKEN TO THE CENTER OF THE PART. UNLESS OTHERWISE SPECIFIED, ALL DIMENSIONS ARE TO BE TAKEN TO THE CENTER OF THE PART. UNLESS OTHERWISE SPECIFIED, ALL DIMENSIONS ARE TO BE TAKEN TO THE CENTER OF THE PART.		DRAWN BY: CHECKED BY: APPROVED BY:	MATERIAL: FINISH: SCALE: 2/1 UNIT:mm DATE:	TITLE : 2.4/5G ANTENNA DRAW No:	PART No: VM2458-218207LF-01A 維克摩爾科技有限公司
THIRD ANGLE PROJECTION		FINISH SEE BOM	UNLESS OTHERWISE SPECIFIED, ALL DIMENSIONS ARE TO BE TAKEN TO THE CENTER OF THE PART.	UNLESS OTHERWISE SPECIFIED, ALL DIMENSIONS ARE TO BE TAKEN TO THE CENTER OF THE PART.	UNLESS OTHERWISE SPECIFIED, ALL DIMENSIONS ARE TO BE TAKEN TO THE CENTER OF THE PART.

Electrical Properties		
Frequency Range	2.4~2.5	5.X GHz
Impedance	50Ω	
V.S.W.R.	≤2.5	
Radiation	Omni	
Gain	4dBi	6dBi
Polarization	Vertical	
Mechanical Properties		
Whip	ABS	
Connector	Brass	
Weight	-	
Operating Temp	-20°C~+65°C	

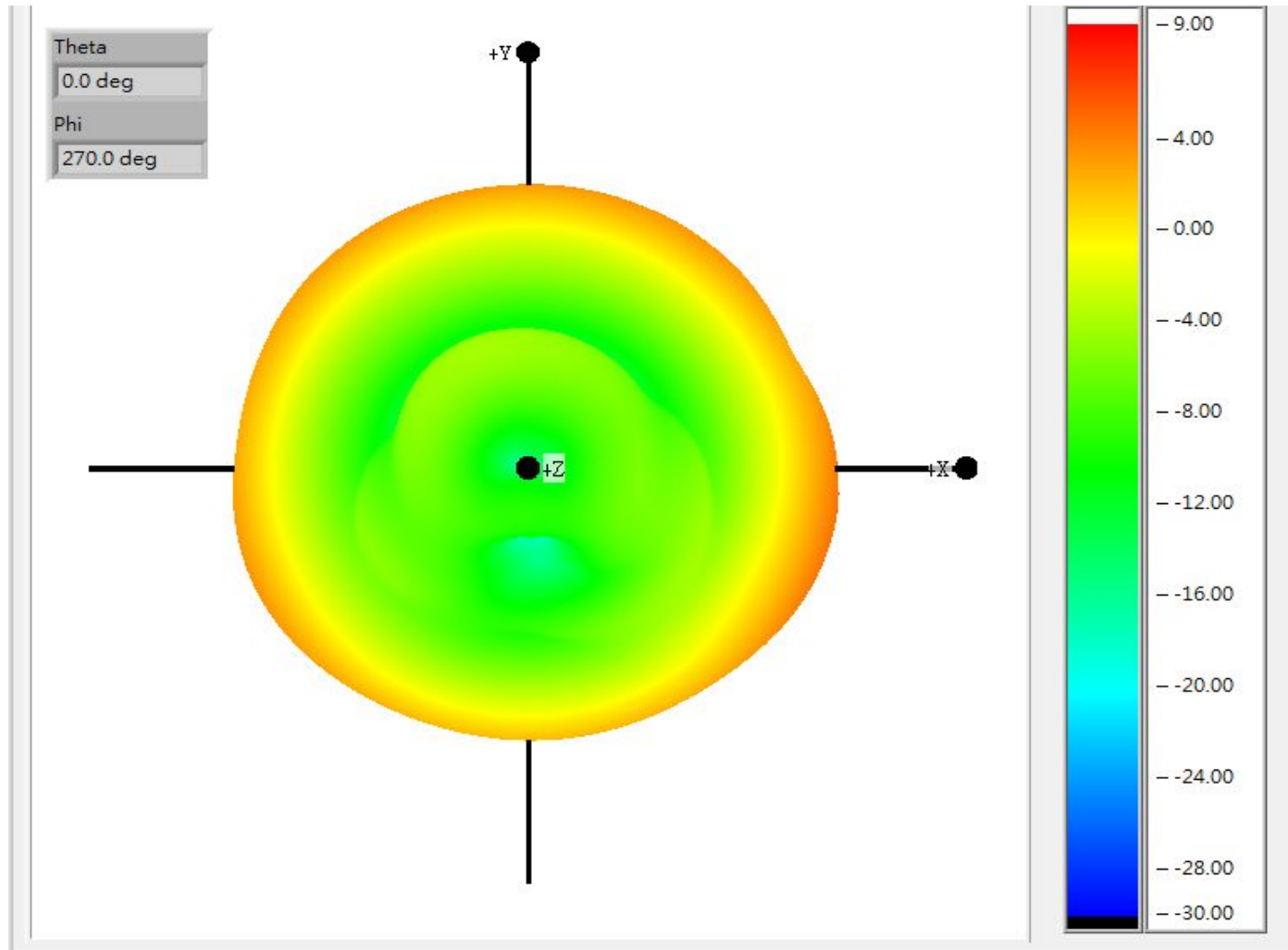
3D Radiation Pattern 2.4GHz



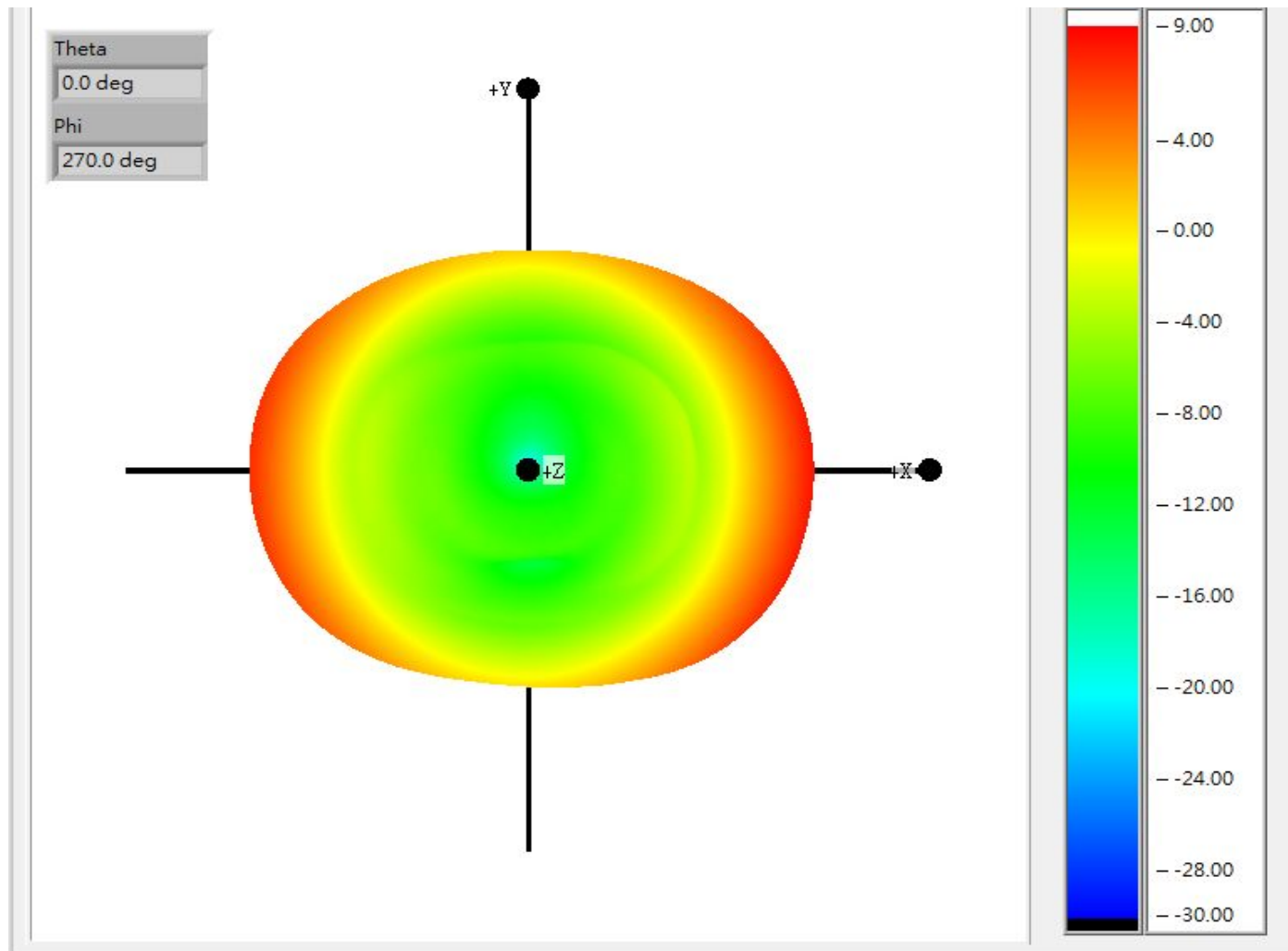
3D Radiation Pattern 2.45GHz



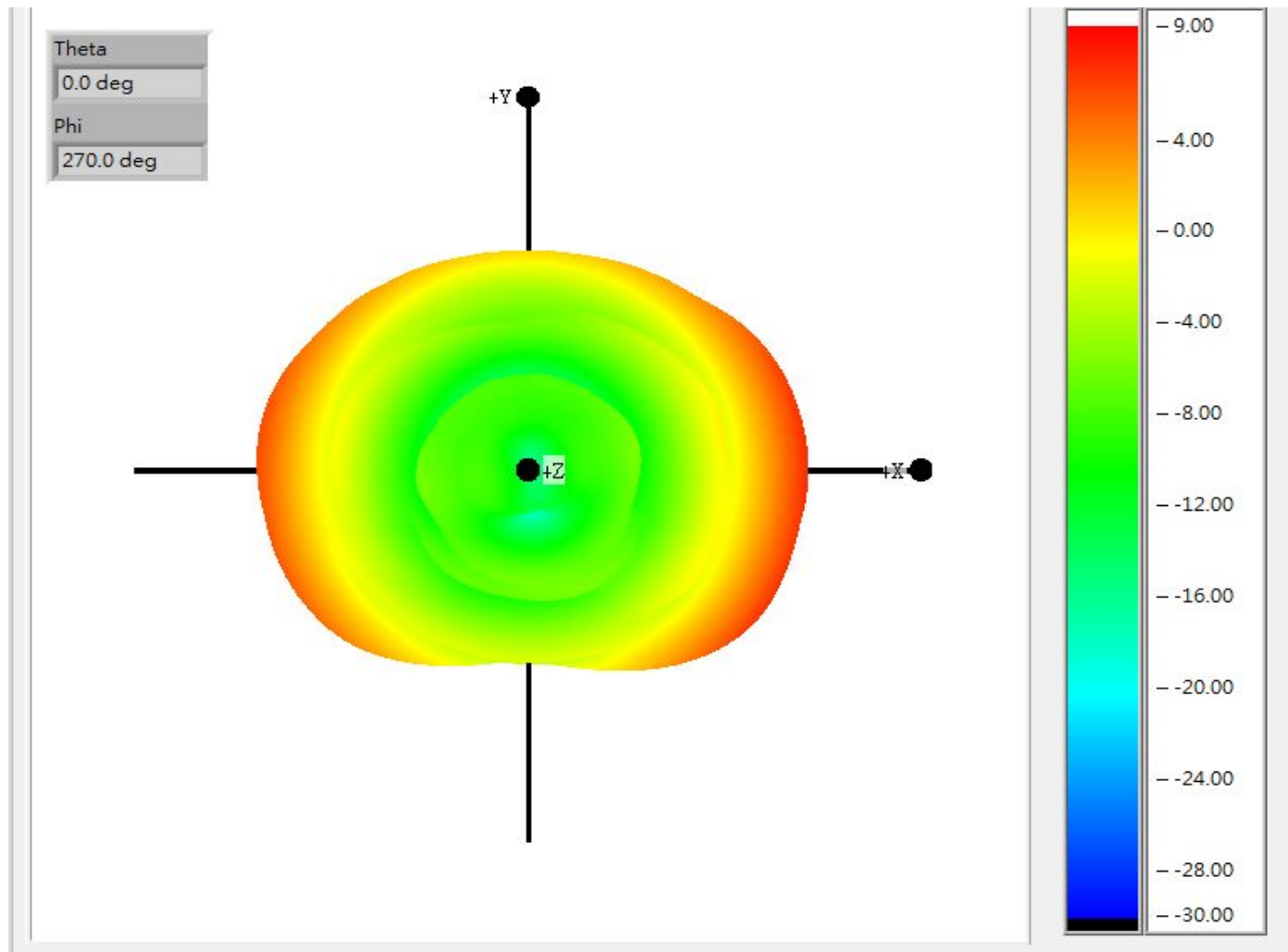
3D Radiation Pattern 2.5GHz



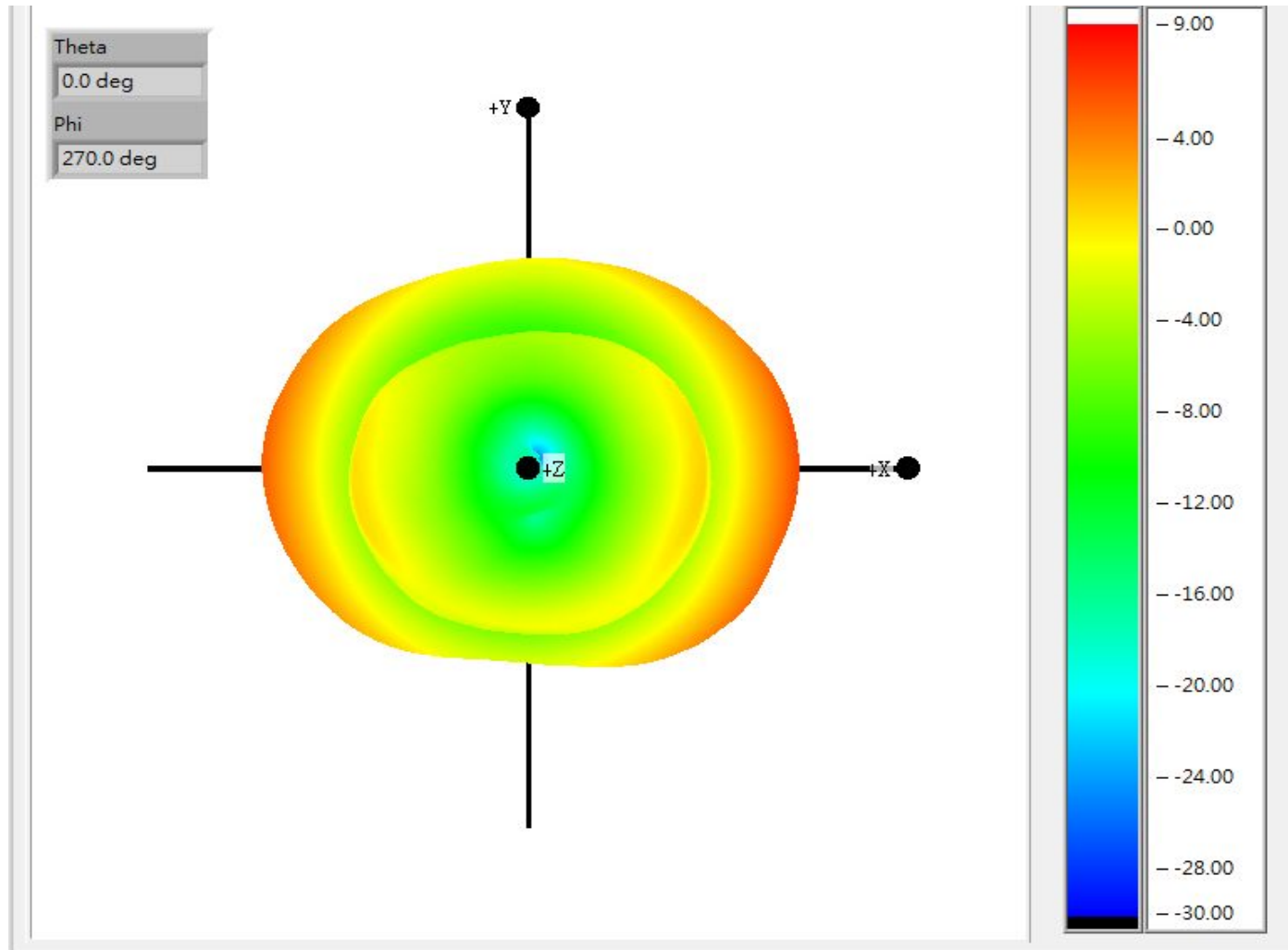
3D Radiation Pattern 5.15GHz



3D Radiation Pattern 5.55GHz



3D Radiation Pattern 5.85GHz



Connector**SMA**

Electrical Properties	Impedance	50 ohm
	Frequency Range	0~6 GHz
	V.S.W.R	≤ 1.5
	Working Voltage	$\leq 170V_{rms}$
	Dielectric Withstanding	$\leq 500 V_{rms}$
	Voltage Insulation Resistance	≥ 2000 Megohms
	Contact Resistance	Center contact: 3.0 Milliohms (Max.) Outer contact: 2.0 Milliohms (Max.)
	Recommended coupling nut torque	4.0 in. lbs. ~ 8.8in. lbs.
	Coupling nut retention force	≥ 60 lbs.
	Contact captivation axial	≥ 6 lbs.
	Coupling Proof Torque	15 in-lbs.min

Operating Temperature	-65°C ~ +165°C
-----------------------	----------------

Material Specifications	Material Data	Material
	Body	Brass
	Center Contact	Brass
	Insulator	Teflon



	SMA
Impedance	50 ohm
Max. Frequency	0-6Ghz
V.S.W.R. (S11)	< 1.5
Insertion Loss (S21) dB	0.1 / GHz
Insulation Resistance	5G ohm
Insulator	PTFE,PA46
Contact Resistance	
center contact	3m ohm
outer contact	2m ohm
Proof Voltage @ 50 Hz	750 V
Contact Current Max.	2.0A DC
Nut Retention Force	> 270 N
Engagement Force	/
Sparation Force	/
Mating Cycles	> 500
Working Temp. (C)	- 65 / +165
StorageTemp. (C)	- 40 / + 85