



FCC ID: 2AKZ8-TWS046

This equipment has been tested and found to comply with the limits for a Class B digital device, pursuant to part 15 of the FCC Rules. These limits are designed to provide reasonable protection against harmful interference in a residential installation. This equipment generates, uses and can radiate radio frequency energy and, if not installed and used in accordance with the instructions, may cause harmful interference to radio communications. However, there is no guarantee that interference will not occur in a particular installation. If this equipment does cause harmful interference to radio or television reception, which can be determined by turning the equipment off and on, the user is encouraged to try to correct the interference by one or more of the following measures:

CAUTION: Any changes or modifications to this device not explicitly approved by manufacturer could void your authority to operate this equipment. This device complies with part 15 of the FCC Rules. Operation is subject to the following two conditions: (1) This device may not cause harmful interference, and (2) this device must accept any interference received, including interference that may cause undesired operation.



BATTERY SAFETY: This product is fitted with a Li-Polymer battery. Do not damage, open or dismantle the battery and do not use it in damp and/or corrosive conditions. Only use compatible chargers. Never dispose batteries in a fire and never expose them to high temperatures. Do not expose the product to temperatures exceeding 60°C (140°F).

BATTERY DISPOSAL: The crossed-out wheeled-bin symbol means that you may not dispose of this product together with general household waste; instead, take it to a recycling point for electrical and electronic equipment. For more information about local recycling points, contact your local authority, civic amenity site or the business where you purchased this product. The separate collection and recycling of used items of electrical and electronic equipment prevents any harmful substances they contain from harming human health and polluting the environment.

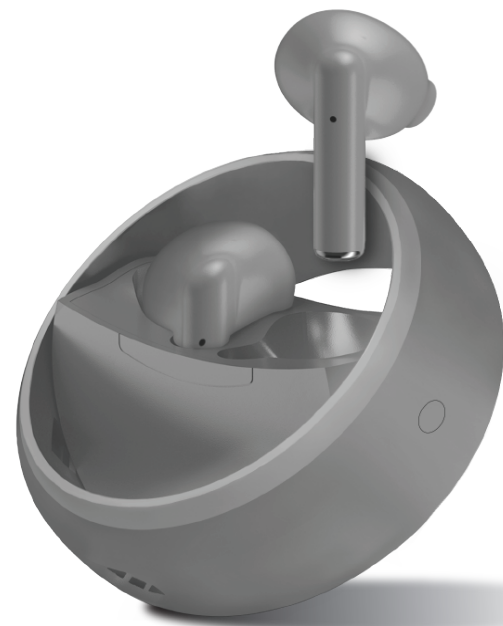
Please keep this information for later reference.

WARNING! RISK OF EXPLOSION IF BATTERY IS REPLACED BY AN INCORRECT TYPE. DISPOSE OF USED BATTERIES ACCORDING TO THE INSTRUCTIONS.

© 2023 PRIMEAUDIO 240 W. 37TH ST. NEW YORK, NY 10018 THE BLUETOOTH WORD MARK AND LOGOS ARE REGISTERED TRADEMARKS OWNED BY BLUETOOTH SIG, INC., AND ANY USE OF SUCH MARKS BY IWORLD IS UNDER LICENSE. GOOGLE AND THE GOOGLE ASSISTANT ARE TRADEMARKS OF GOOGLE INC., REGISTERED IN THE U.S. AND OTHER COUNTRIES. APPLE, IPOD, IPAD, IPHONE, AND SIRI ARE TRADEMARKS OF APPLE INC., REGISTERED IN THE U.S. AND OTHER COUNTRIES. ALL OTHER TRADEMARKS AND TRADE NAMES ARE THOSE OF THEIR RESPECTIVE OWNERS. ACTUAL PRODUCT MAY DIFFER SLIGHTLY FROM IMAGE SHOWN. MADE IN CHINA.

SPIN

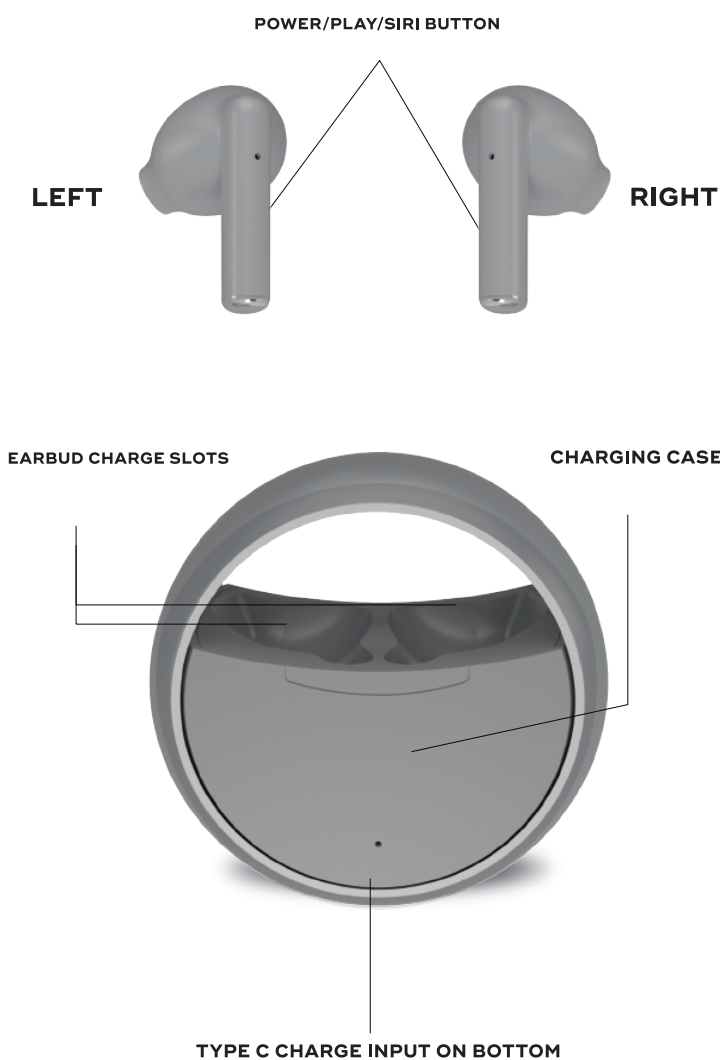
TRUE WIRELESS EARBUDS



INSTRUCTION MANUAL

PrimeAudio®

PRODUCT DIAGRAM



INSTRUCTION MANUAL

Bluetooth® Spin Wireless Cord-Free Earbuds

- FEATURES
- Works with all Bluetooth®-enabled devices
 - Stream audio wirelessly via Bluetooth technology in high quality from 10 meters away
 - Integrated rechargeable battery provides hours of playing time wherever you go.
 - Charging case provides charge to earbuds

- CONTENTS
- 2 Cord-Free Wireless Earbuds
 - 1 Charge Case
 - 1 TYPE C Charging Cable
 - 1 User Manual
- SPECIFICATIONS - Earbuds
- Internal Battery: Rechargeable Li-polymer
 - Wireless Capability: 10 meters
 - Operating Temperature Range: 0-45°C
- Frequency Response: 20Hz-20KHz
- Sensitivity: 103±3dB
- Impedance: 32 ohms

CHARGING THE CHARGE CASE

The charge case is used to charge the earbuds and it must be fully charged before first use. Keep it fully charged regularly for maximum performance. If it has not been used in a while, it is recommended to fully charge the battery. To charge:

1. Insert the TYPE C connector of the included TYPE C cable into the small TYPE C charging input port on the charge case.
2. Insert the larger USB end of the cable into the USB part of a computer OR into a compatible USB DC 5V wall charger (not included) to charge through a standard wall outlet. The indicator lights will flash red slowly while charging, and will turn solid red when charging is complete. Unplug from the power source when charging is complete.

USB Charging Cable Rating: maximum 5V/1A

CAUTION: The USB charging cable included with this item is intended for use only with this product. Only use the included USB charging cable to charge this product.

CHARGING THE EARBUDS

The earbuds must be fully charged before first use. The charge case must also be fully charged for maximum performance. To charge:

1. Insert each earbud into the charge slots, ensuring the charge contacts on the bottom of the earbuds line up and connect with the contacts within the charge slots. Properly place the earbuds into the charging slots to begin charging. The indicator light on the earbuds will be solid red during charging and turn off when charging is complete.
2. Remove earbuds from the charge case when charging is complete.

NOTE: When battery power is low the LED may blink red and/or there may be an alerting sound, even while music is playing. Fully charge the battery as explained above to resume normal operation.

WIRELESS EARBUDS OPERATION

Wireless playback Via Bluetooth:

1. Make sure both earbuds are charged as explained above.
2. Ensure the Bluetooth function on your mobile device is deactivated.
3. The earbuds automatically turn on when removed from the charging case. If necessary, they can be turned on manually - press and hold the power button on both earbuds for 4 seconds. After 3 to 5 seconds a tone will signal and they will sync with each other automatically. On one of the earbuds, the indicator light will blink red and white - the other earbud's indicator light will blink slowly in WHITE.
4. To pair the synched earbuds to your audio device, activate its Bluetooth function - it should automatically recognize the earbuds and allow you to select it using the name "PRIMEAUDIO". When successfully connected, a tone will signal and both earbud indicator lights will blink in WHITE. You are now set to enjoy audio wirelessly within a 33ft range of the audio device.
- NOTE: If you do not connect the earbuds with a Bluetooth device after 5 minutes of being turned on, the earbuds will turn off automatically. Restart from step 3 to try to connect again.
- NOTE: When powered on, the wireless earbuds will automatically connect with the last successfully paired audio device.
5. Before playback, first adjust the volume of your audio device to medium level as a safe starting point. The volume will be controlled solely from your audio device.
6. To play audio, click the power button on either earbud once - click it once again to pause.
7. To restart the current song, click the power button on either earbud once. To skip to the next song, double click right earbud. To the previous song, double click the left earbud.
8. To answer an incoming call, click the power button on either earbud once - click it once again to end the call.
9. To reject an incoming call, press and hold the power button on either earbud for 1-1.5 seconds.
10. To disconnect and shut off the earbuds, press and hold the power button on either earbud for around four seconds. You can also deactivate the Bluetooth on your device - be sure to power off the earbuds when not in use.
11. To activate Siri, the Google Assistant or other voice assistants, press and hold the function button on either earbud for 1.5 seconds until a tone is heard. (Compatible devices only).

NOTE: If there is no signal or audio playback for 5 minutes, the earbuds will automatically shut off.

NOTE: Low earbuds power and/or low audio device power may cause poor operation and/or no Bluetooth connection.

- CAUTION
- This is not a toy. Please keep away from small children.
 - Please keep the unit away from water and heat.
 - Do not overcharge the battery.
 - Do not operate charge case with a damaged cable.

TECHNICAL SUPPORT
Please do not attempt to fix the product yourself! If you are experiencing any problems with the product please do not return it to the store you bought it from. You can contact our technical support representatives and they will assist you with any questions you may have. For assistance operating your product, please consult the User's Manual or feel free to contact iWorld technical support:
iWorld LLC www.iworldny.com
240 West 37th St., 10th Floor email: support@iworldny.com
New York, NY 10018, USA Please keep instructions for further reference.