

Quikcell

Factory Instructions | QVIBE 200 Quick Start Guide



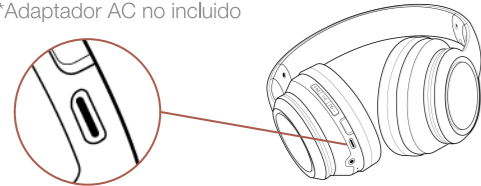
CHARGE HEADPHONES

Plug micro-USB into headphones and USB into a compatible port (such as a wall charger, car charger, or computer). Light is RED while charging and goes off when fully charged.

*AC adapter not included

Conecta el cable Micro-USB a los audífonos y el puerto USB a un cargador compatible (tal como un cargador de pared, cargador de auto, o una computadora). La luz se enciende en rojo cuando está cargando y se apaga cuando está completamente cargado.

*Adaptador AC no incluido



STEP 1

PAIRING YOUR DEVICE

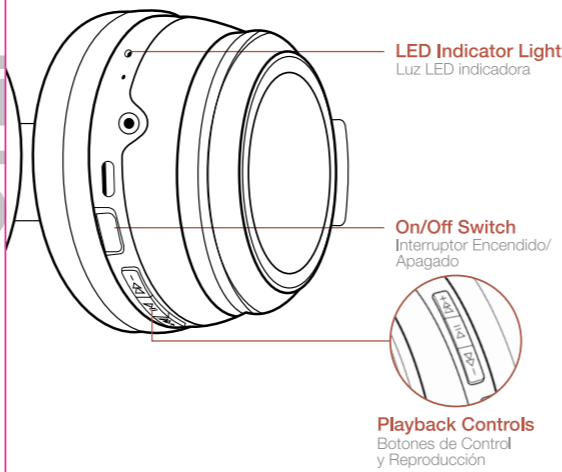
On the side of the QVibe earcups slide the ON/OFF switch to ON. You will then see the LED indicator flashing between red and blue and hear "Pairing" when your QVibe is ready to pair with your device. In your devices Bluetooth settings look for "QVIBE200" to appear as an option and select to complete pairing.

(If required, enter the password 0000)

Por un lado de los auriculares QVibe desliza el interruptor a encendido. La luz LED destellará entre rojo y azul y escucharás "Pairing" cuando el QVibe esté listo para emparejarse con tu dispositivo. En los ajustes Bluetooth de tu dispositivo busca que "QVIBE200" aparezca como opción y selecciónalo para concluir el emparejamiento.

(si es requerido, introduce la contraseña 0000)

STEP 2



TURN 'EM ON & TURN 'EM UP

Flip the switch on the side of the QVibe earcups to turn ON/OFF.

Use the + and - buttons on the side of the QVibe earcups to adjust volume and skip songs.

Use the PLAY/PAUSE button to control music, answer, end, or decline phone calls. Double press play/pause button to redial last number called

Enciende el interruptor al lado de los audífonos QVibe

Usa los botones + y - al lado de los audífonos QVibe para ajustar el volumen y saltar canciones

Usa el botón de REPRODUCIR/DETENER para controlar la música, contestar, terminar, o rechazar llamadas. Presiona dos veces el botón REPRODUCIR/DETENER para remarcar el último número marcado

STEP 3

LOW POWER? PLUG IN!

Use the included 3.5mm aux cable to connect your device to your phone for wired listening when your QVibe's are running low on power.

* When the aux cable is connected control buttons and playback are no longer operable. When aux is disconnected, your device will need to go through the pairing process again to use QVibe's via Bluetooth.

Usa el cable 3.5mm aux incluido para conectar tu dispositivo a tu teléfono para escuchar tu QVibe cuando esté bajo en carga.

*Cuando el cable aux está conectado los botones de control y reproducción no funcionan. Cuando desconecte el cable aux, tu dispositivo ocupará ser emparejado nuevamente con la función Bluetooth de QVibe.

STEP 4



SPECIFICATIONS

Dimensions (w x h x d): 170x76x180mm

Dimensiones (a x a x p): 170x76x180mm

Weight: 219.2G

Peso: 219.2G

Music Operating Time: 18+H (at 50% volume)

Tiempo de Operación en Música: 18+H (a 50% del volumen)

Phone Operating Time: 18+H (at 50% volume)

Tiempo de Operación en Teléfono: 18+H (a 50% del volumen)

Standby Operating Time: 240H

Tiempo de Operación en Espera: 240H

Charging Time: 2-3H

Tiempo de Carga: 2-3H

Bluetooth Standard: JL V5.0

Estandar Bluetooth: JL V5.0

Operation Range: 10M

Alcance de Operación: 10M

Frequency: 100Hz~10KHz

Frecuencia: 100Hz-10KHz

Headphone Battery: 450mAh LiPo

Batería del Audífono: 450mAh LiPo

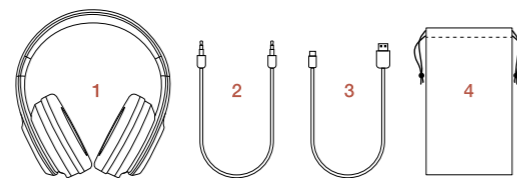
WHAT'S INSIDE

1 Wireless Stereo Headphones
Aurífonos Stereo Inalámbricos

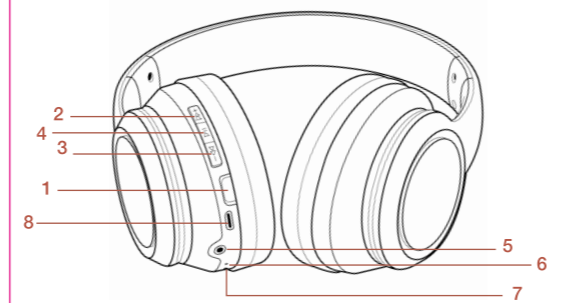
2 3.5mm Aux Cable
Cable Aux 3.5mm

3 Micro-USB Charging Cable
Cable de Carga Micro USB

4 Carrying Pouch
Bolsa de Viaje



HEADPHONE CONTROLS



1. [On/Off] Switch
• Toggle Switch = power on/off

1. Interruptor Encendido/Apagado
• Interruptor de palanca = encender/apagar

2. [+] Button
• Long Press = skip to next song
• Short Press = increase volume

2. Botón [+]
• Pulsación larga = saltar a la siguiente canción
• Pulsación corta = subir el volumen

3. [-] Button
• Long Press = skip to previous song
• Short Press = decrease volume

3. Botón [-]
• Pulsación larga = saltar a la canción anterior
• Pulsación corta = bajar el volumen

4. [Play, Pause, Answer] Button
• Short Press = play/pause music & answer phone calls
• Long Press = ignore/decline phone calls

4. Botón Reproducir, Detener, Contestar
• Pulsación corta = reproducir/detener música & contestar llamadas
• Pulsación larga = ignorar/rechazar llamada

5. AUX-IN jack
5. Entrada Auxiliar

6. Microphone
6. Micrófono

7. LED indicator light
7. Luz LED indicadora

8. Micro-USB charging port
8. Puerto de carga Micro-USB

FLIP OVER →

Notes

- L x W x H = 3in x 3in
- Paper Color: matte Off White (Same as package color)
- Paper Weight: Card Stock 100lb
- Z-fold Brochure



© 2020 - Designed and Submitted by Alpha Comm
October 19, 2020 - V4

FCC Caution:

This device complies with part 15 of the FCC Rules. Operation is subject to the following two conditions: (1) This device may not cause harmful interference, and (2) this device must accept any interference received, including interference that may cause undesired operation.

Any Changes or modifications not expressly approved by the party responsible for compliance could void the user's authority to operate the equipment.

Note: This equipment has been tested and found to comply with the limits for a Class B digital device, pursuant to part 15 of the FCC Rules. These limits are designed to provide reasonable protection against harmful interference in a residential installation. This equipment generates uses and can radiate radio frequency energy and, if not installed and used in accordance with the instructions, may cause harmful interference to radio communications. However, there is no guarantee that interference will not occur in a particular installation. If this equipment does cause harmful interference to radio or television reception, which can be determined by turning the equipment off and on, the user is encouraged to try to correct the interference by one or more of the following measures:

- Reorient or relocate the receiving antenna.
- Increase the separation between the equipment and receiver.
- Connect the equipment into an outlet on a circuit different from that to which the receiver is connected.
- Consult the dealer or an experienced radio/TV technician for help.

The device has been evaluated to meet general RF exposure requirement. The device can be used in portable exposure condition without restriction.