

6

5

4

3

2

1

D

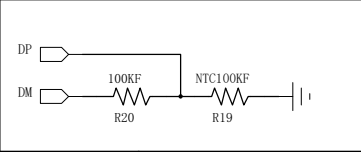
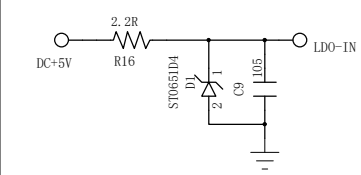
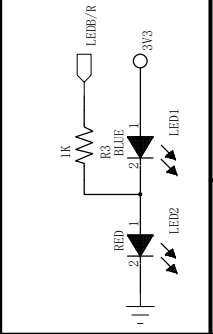
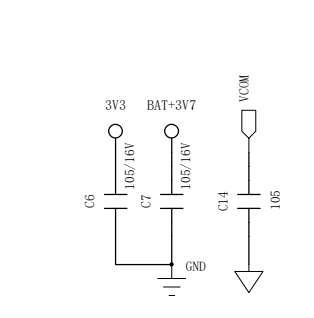
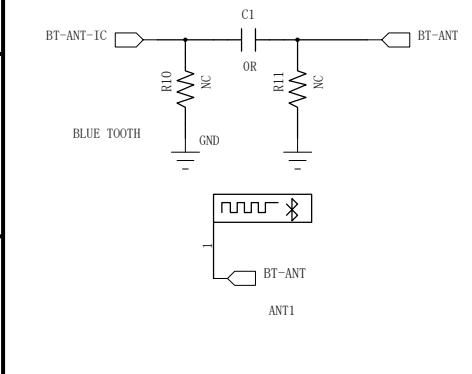
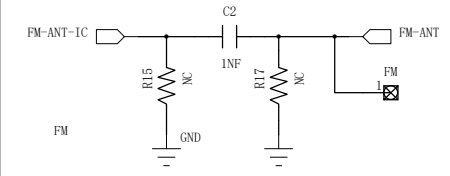
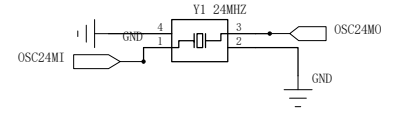
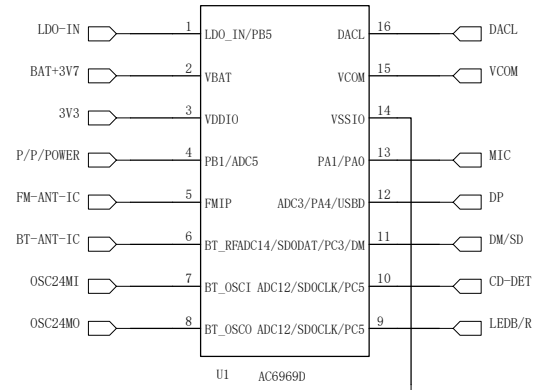
C

D

C

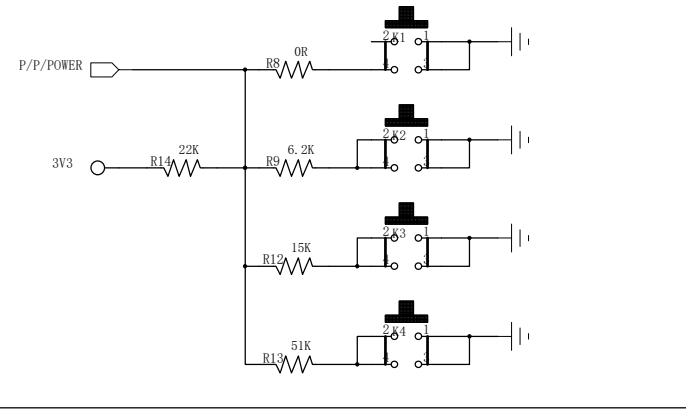
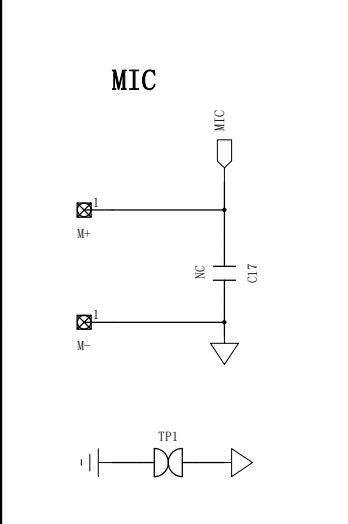
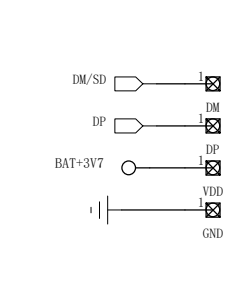
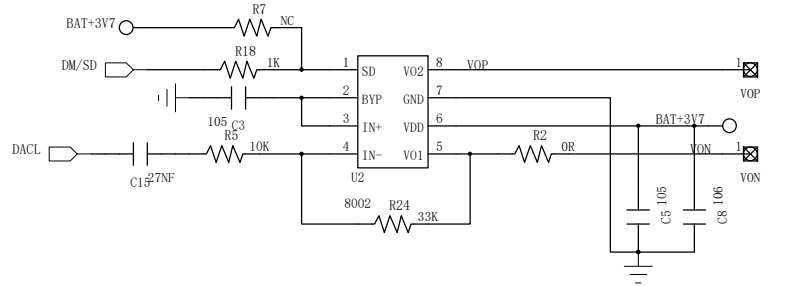
REVISION RECORD

LTR	ECO NO:	APPROVED:	DATE:



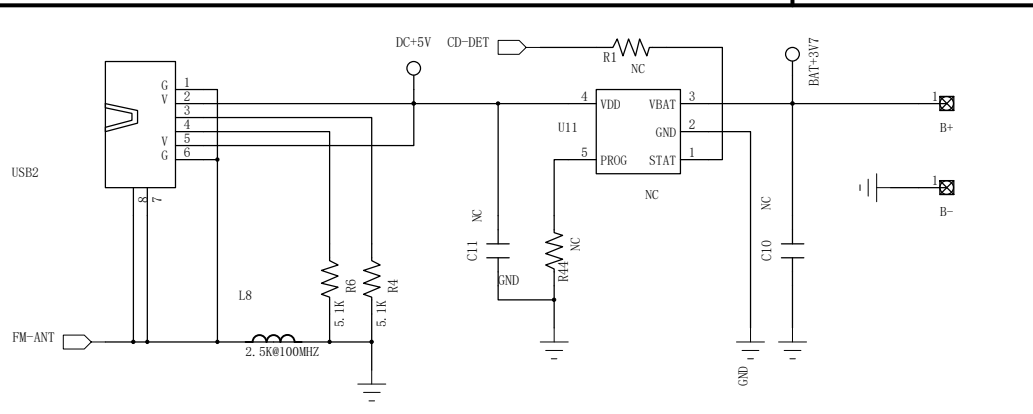
B

B



A

A



DRAWN:	DATED:
CHECKED:	DATED:
QUALITY CONTROL:	DATED:
RELEASED:	DATED:

COMPANY:			
TITLE:			
CODE:	SIZE:	DRAWING NO:	REV:
B			
SCALE:			SHEET: 1 OF 1