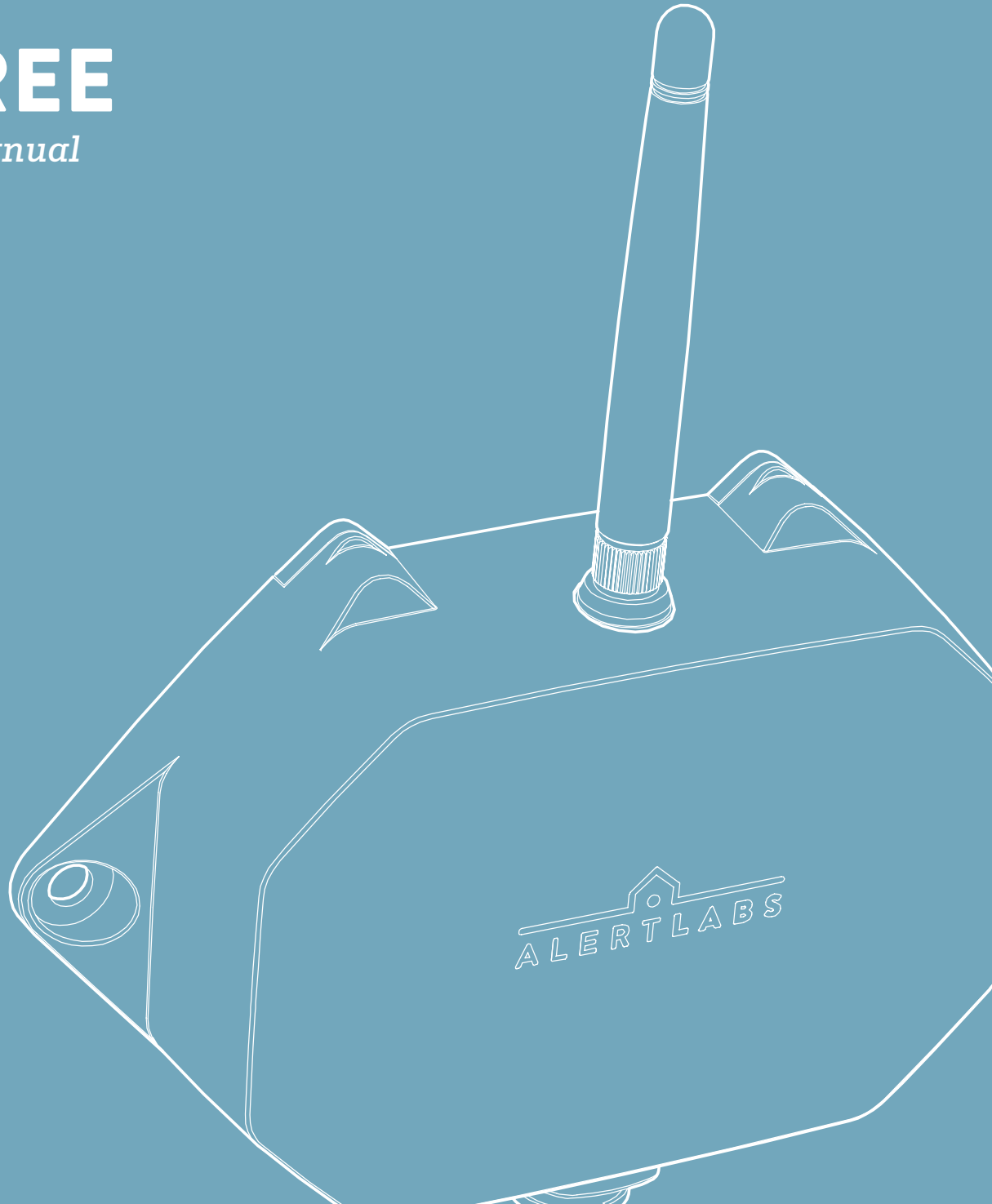


SENTREE

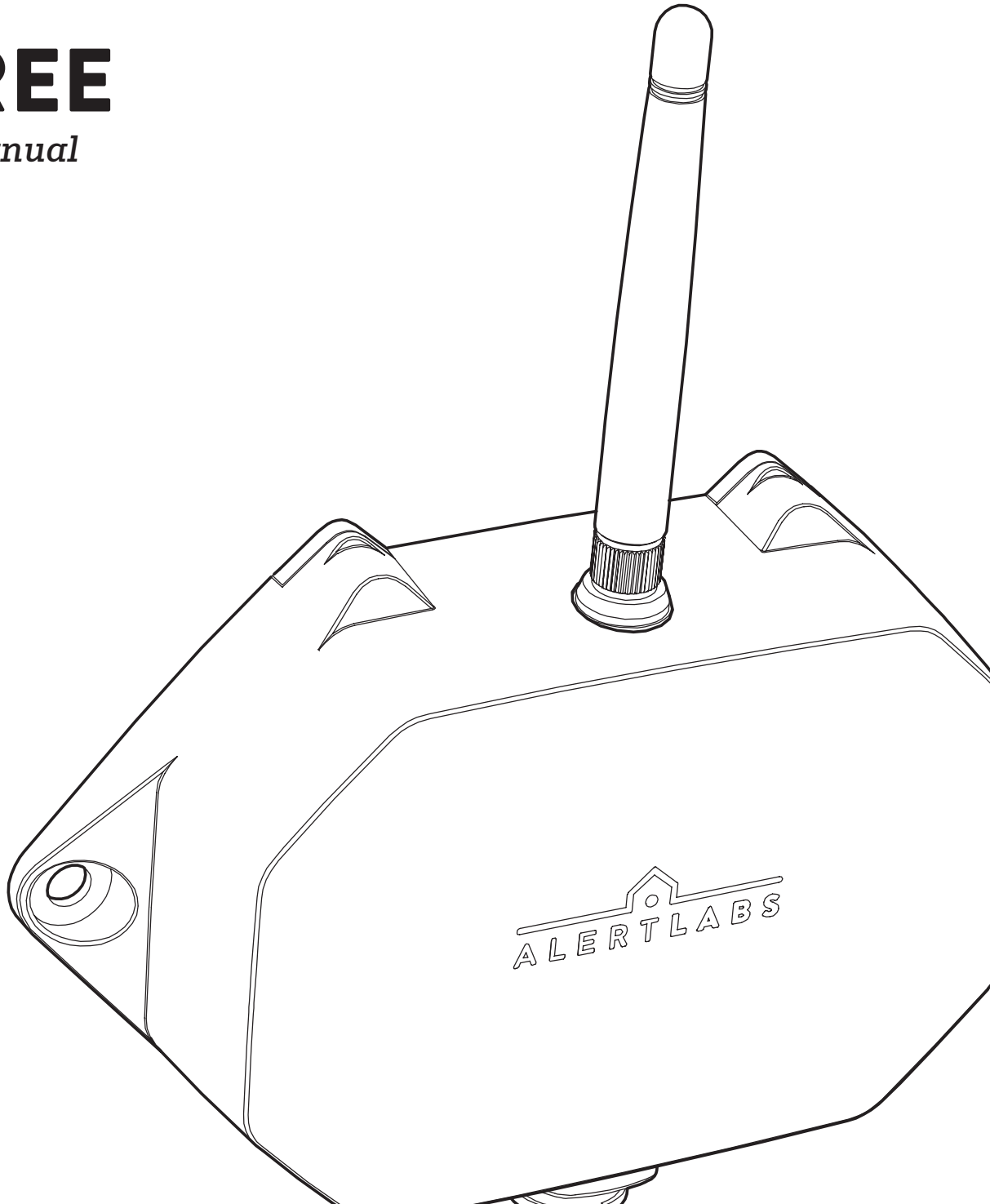
Installation Manual





SENTREE

Installation Manual



POWER REQUIREMENTS

Rated voltage 240 VAC, single phase, 60 Hz

Maximum power consumption 12W

REPLACEABLE FUSE

Fuse specifications UL Listed Supplemental Circuit Protection
T 5.0 A H 600 VAC
Replace with same type and fuse rating
Example: Bel Fuse Inc, 0ADKC5000-BE



**WARNING**

RISK OF ELECTRIC SHOCK CAN CAUSE INJURY OR DEATH: DISCONNECT ALL REMOTE ELECTRIC POWER SUPPLIES BEFORE SERVICING

**CAUTION**

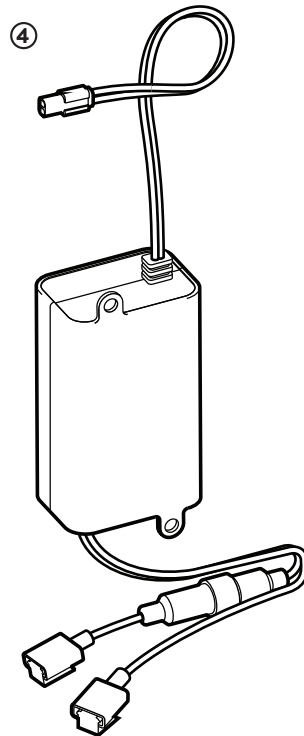
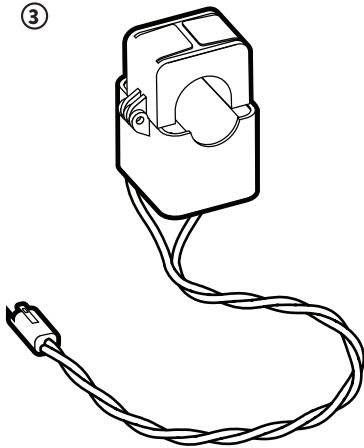
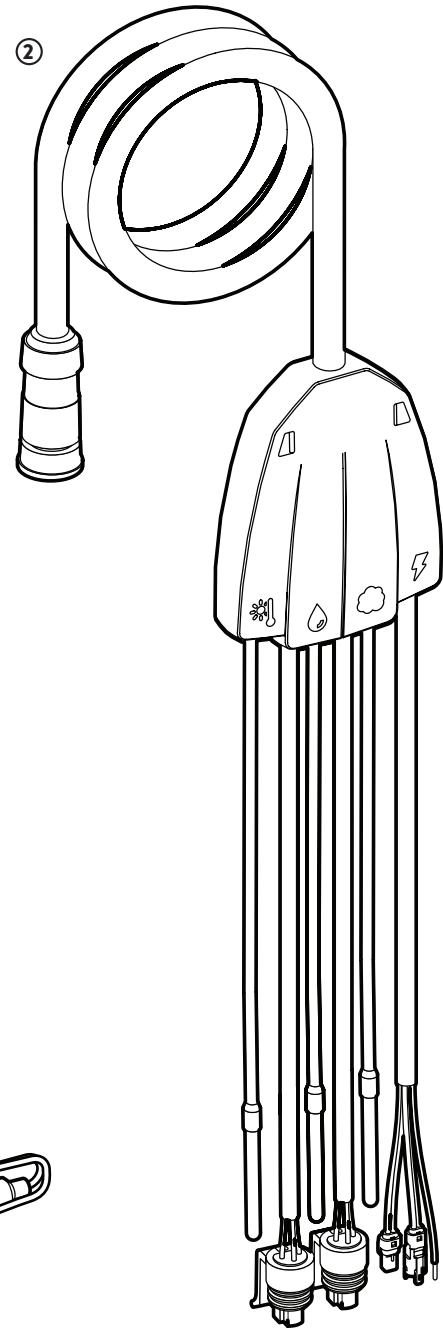
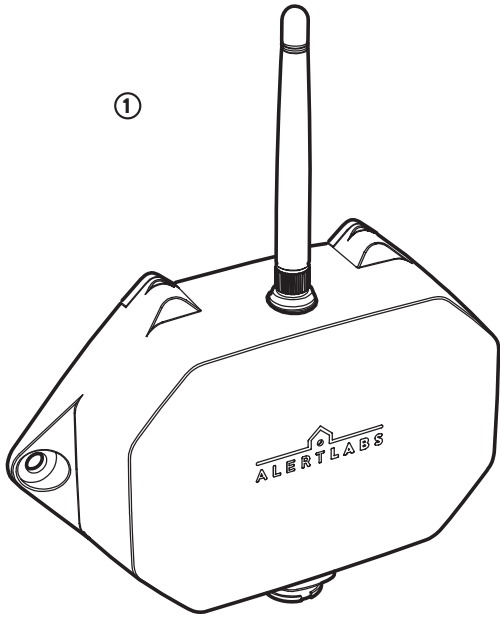
Installation must be performed by qualified HVAC technicians that are certified by the local Air Conditioner and Refrigeration Licensing Agency. Good refrigeration practices are expected to be used.

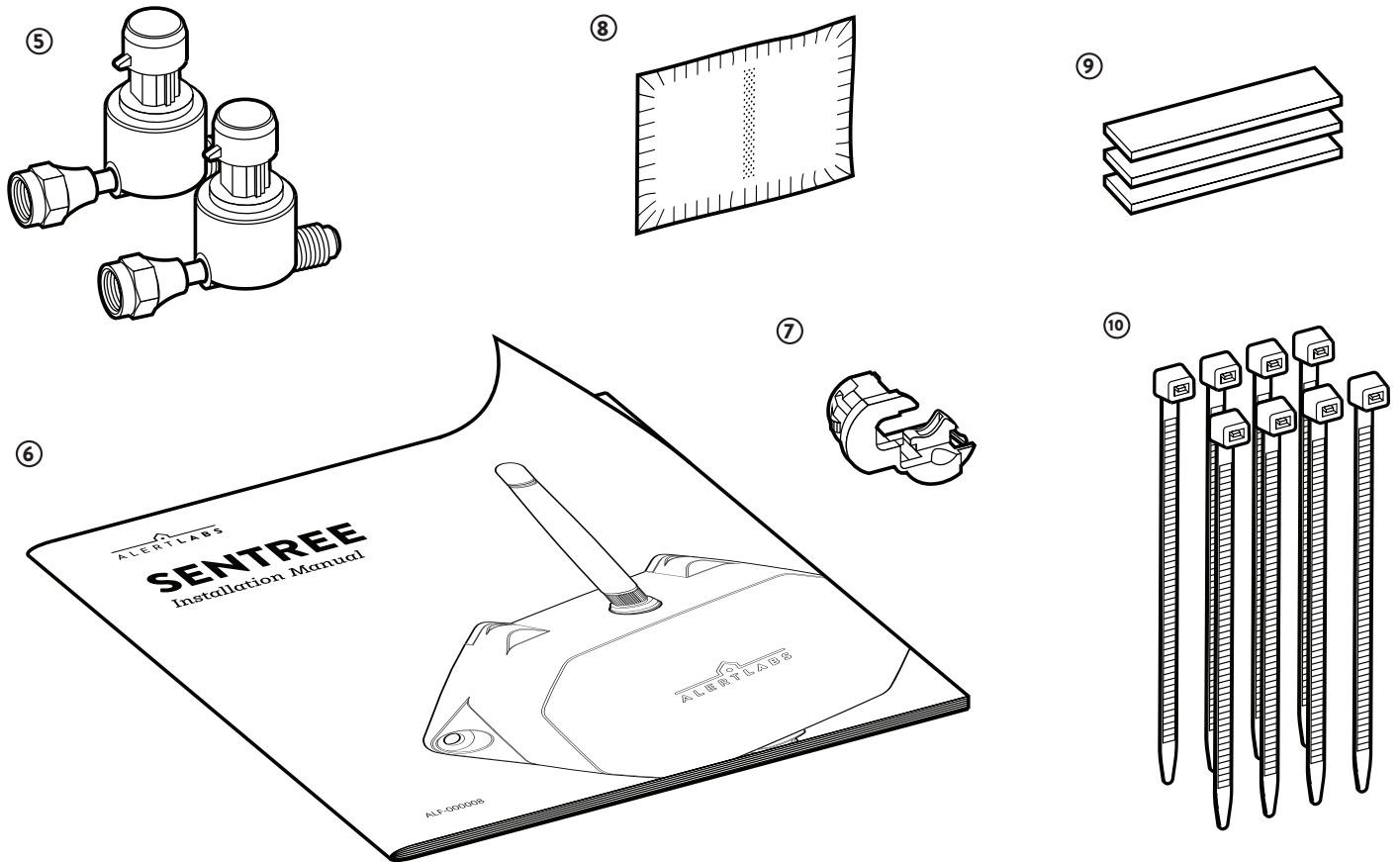
This Sentree device is intended to be connected to condenser units powered by 240 VAC, single phase, 60 Hz power and must use the 1/4 inch tabs on the line side of the condenser's contactor.

This Sentree device is intended for use on systems up to 600 psi operating pressure.

This Sentree device is only intended for use on 1–5 ton residential air conditioner units.

There shall be no cutting of wires, rearrangement of existing components in the installed unit, cutting, drilling or welding in electrical components and in other areas where such operations may damage electrical or refrigerant components and wiring.

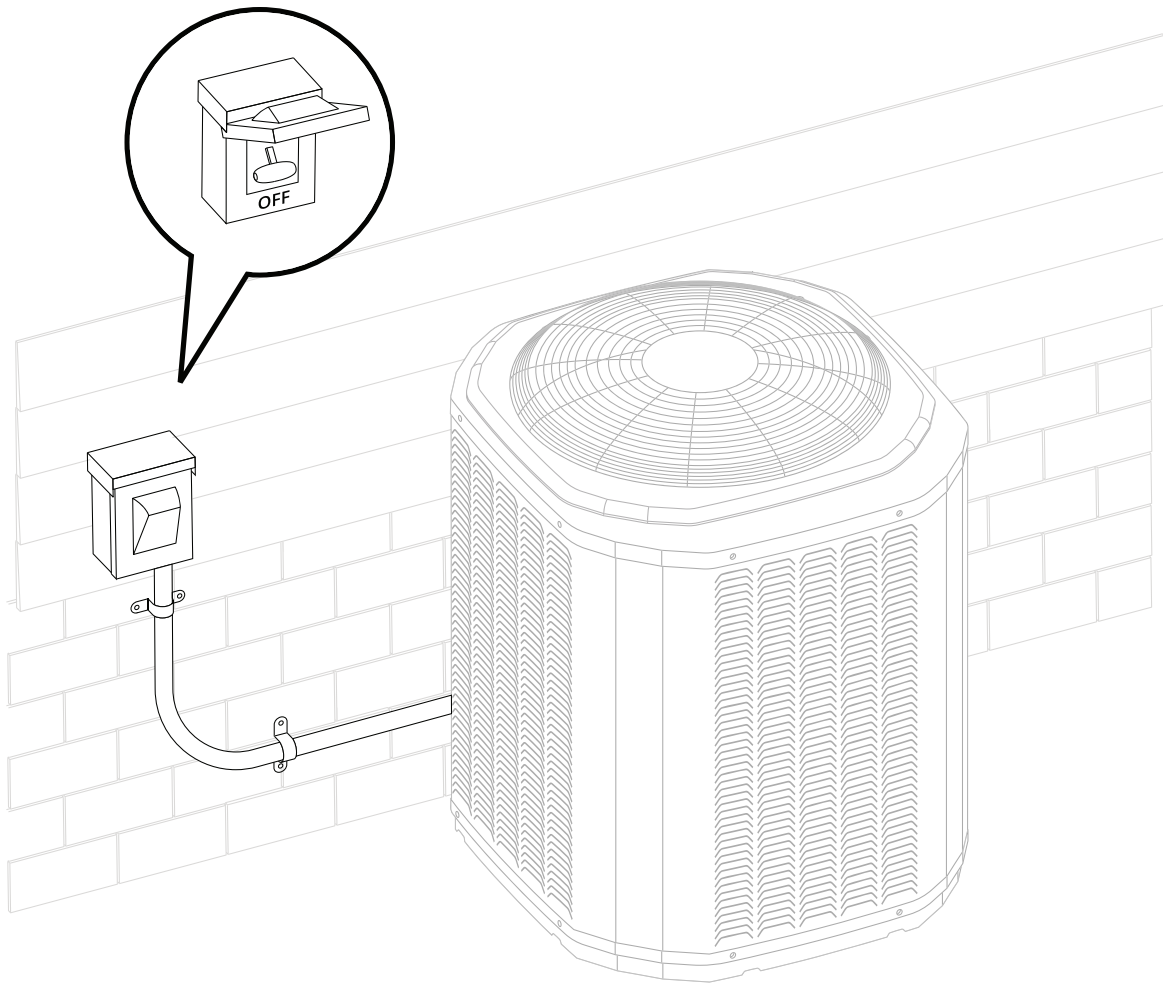




What's Included

- ① Sentree main housing
- ② Cable harness
- ③ Current sensor
- ④ Power supply / fuse assembly
- ⑤ Pressure sensors (×2)
- ⑥ Installation manual
- ⑦ Cable bushing
- ⑧ Iso-propyl alcohol wipe
- ⑨ Foam tape (×3)
- ⑩ Cable ties (×8)

Installation

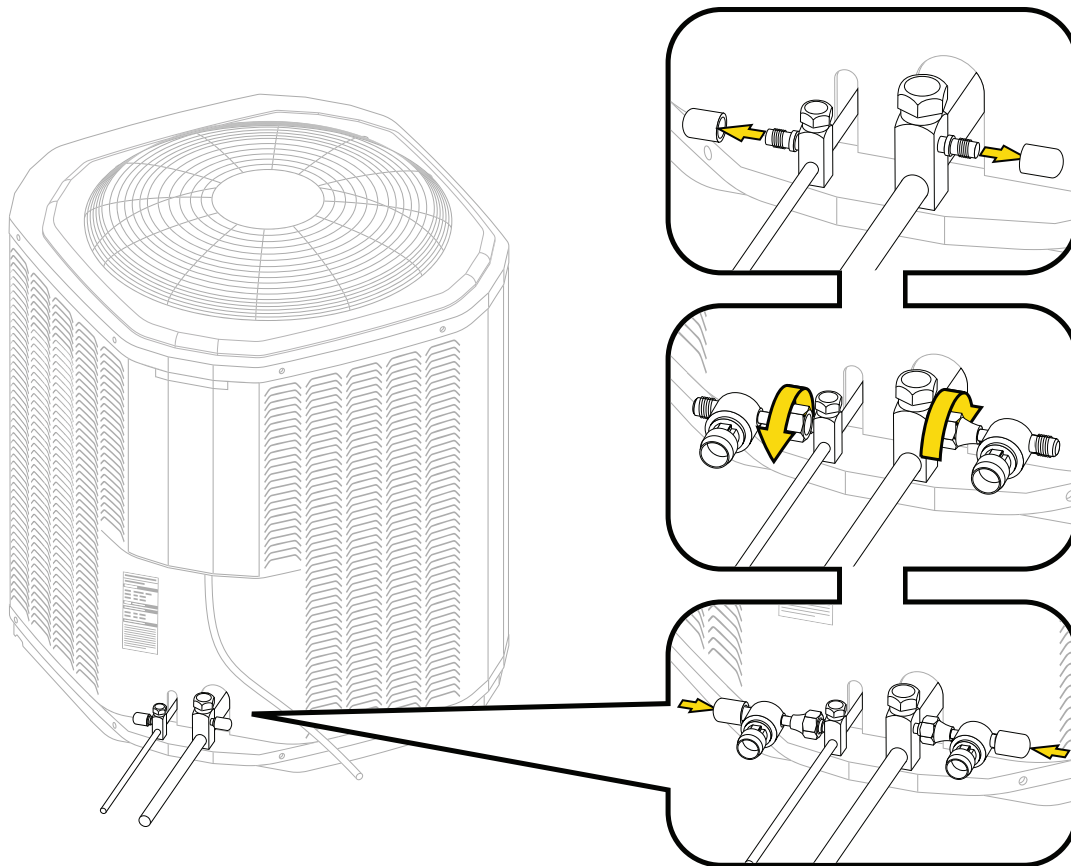


1 Turn off the Power

Switch the power to the air conditioner to the OFF position.



WARNING: RISK OF ELECTRIC SHOCK CAN CAUSE INJURY OR DEATH: DISCONNECT ALL REMOTE ELECTRIC POWER SUPPLIES BEFORE SERVICING

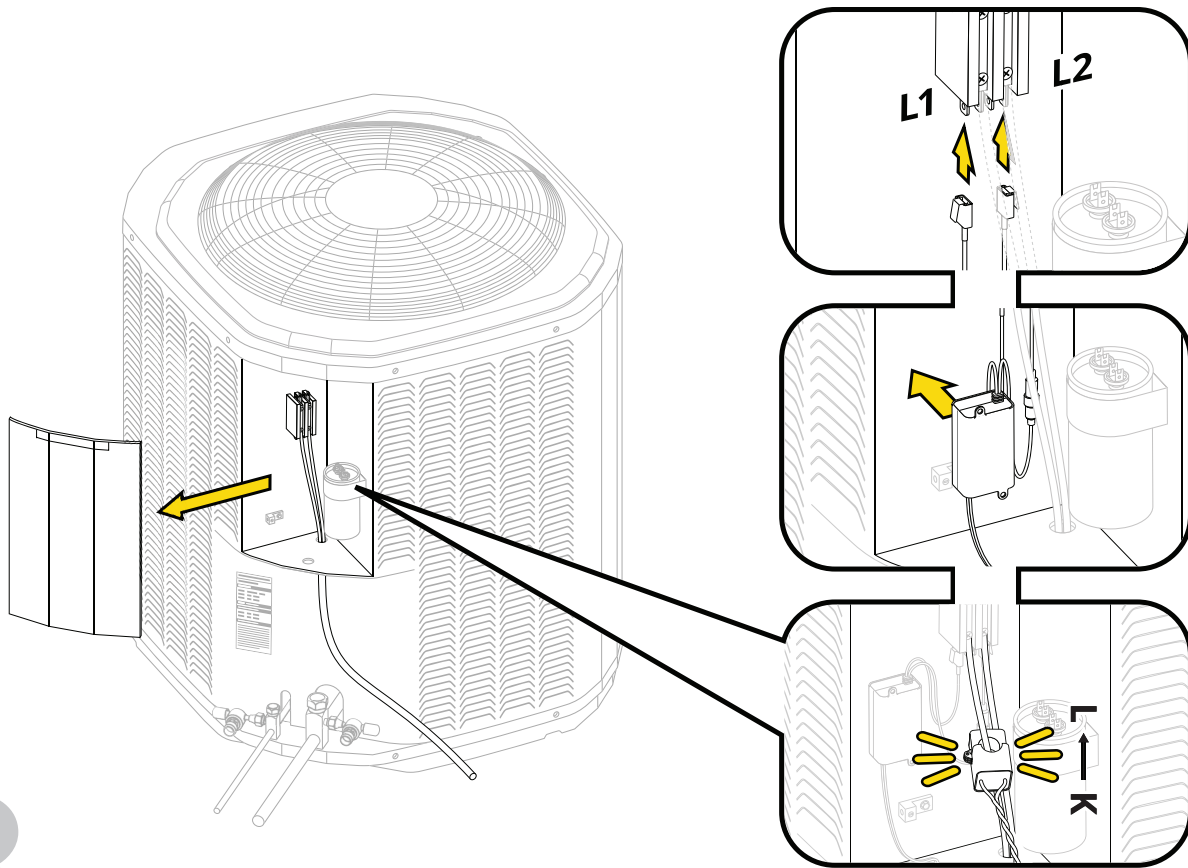


2 *Attach pressure sensors*



WARNING: RISK OF SKIN DAMAGE FROM REFRIGERANT. WEAR PROTECTIVE GLOVES.

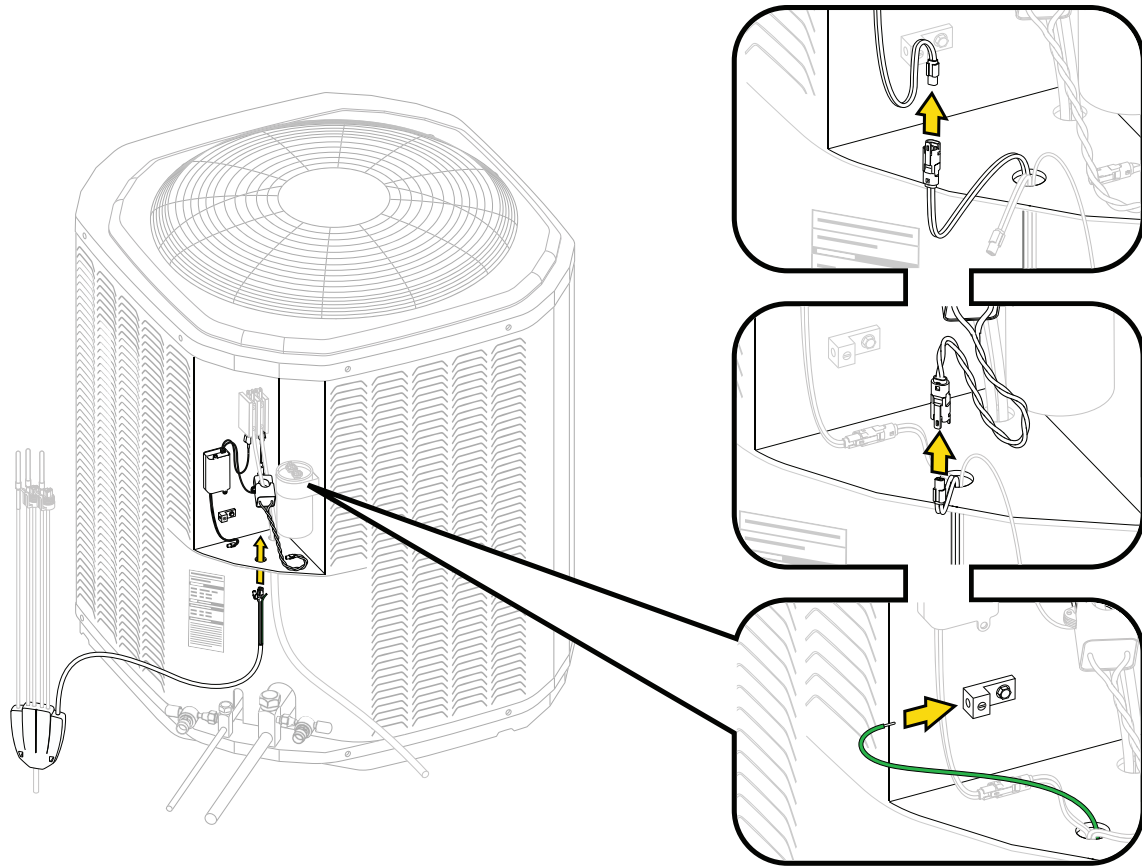
Remove the protective caps from the refrigerant service ports. Using an adjustable wrench, tightly screw the pressure sensors onto the service ports. Make sure the connectors on top of the sensors are horizontal to prevent water from collecting inside the sensor. Replace the caps onto the servicing end of the pressure sensors and verify that there are no refrigerant leaks.



3 Attach power

NOTE: CLASS 2 WIRING TO BE ROUTED SUCH THAT IT WILL NOT COME INTO CONTACT WITH LINE VOLTAGE WIRING

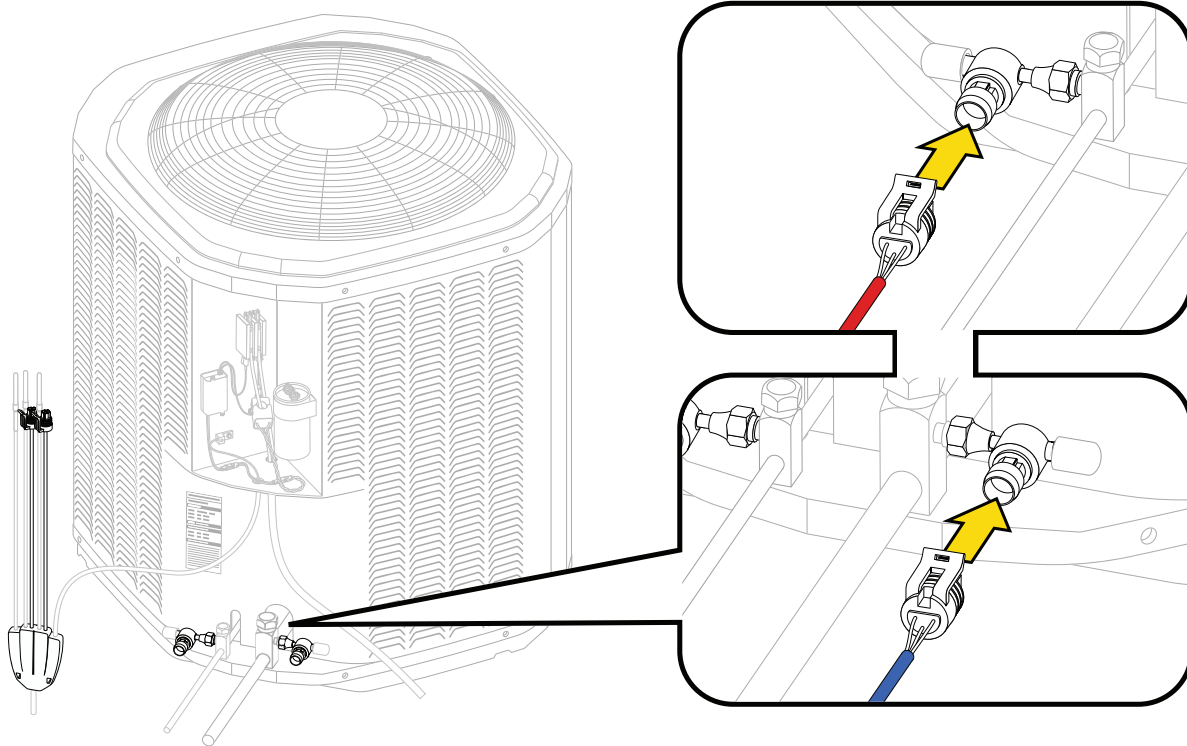
Remove the service panel from the rear of the A/C unit. Attach the quick disconnect terminals from the Sentree power supply to unused L1 or L2 1/4" tabs on the line side of the A/C unit's contactor. Use the included alcohol wipe to clean the surface inside the electrical compartment. Peel the adhesive pad on the power supply and attach it to the clean surface. Clip the current sensor around either of the L1 or L2 mains cables from the house, making sure that the arrow on the inner surface of the sensor points toward the contactor. Check that the latch on the sensor is closed properly.



4

Connect to power

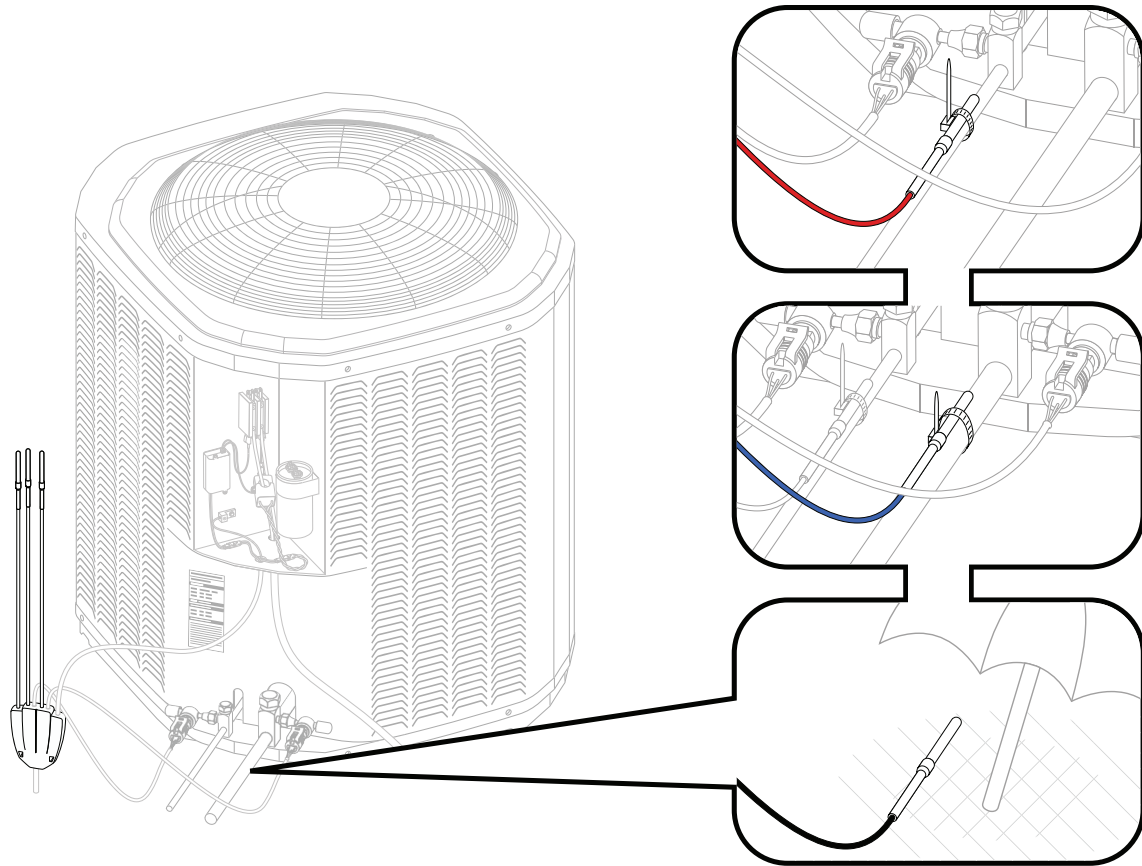
Locate an electrical knock-out or cable pass-through, and pass the power cable from the harness (⚡) into the electrical compartment. Plug the power supply and current sensor into the connectors on the harness. Attach the green ground clip from the harness to an exposed sheet metal edge in the electrical compartment. Secure the power cable in the knock-out using the included cable bushing or cable tie.



5

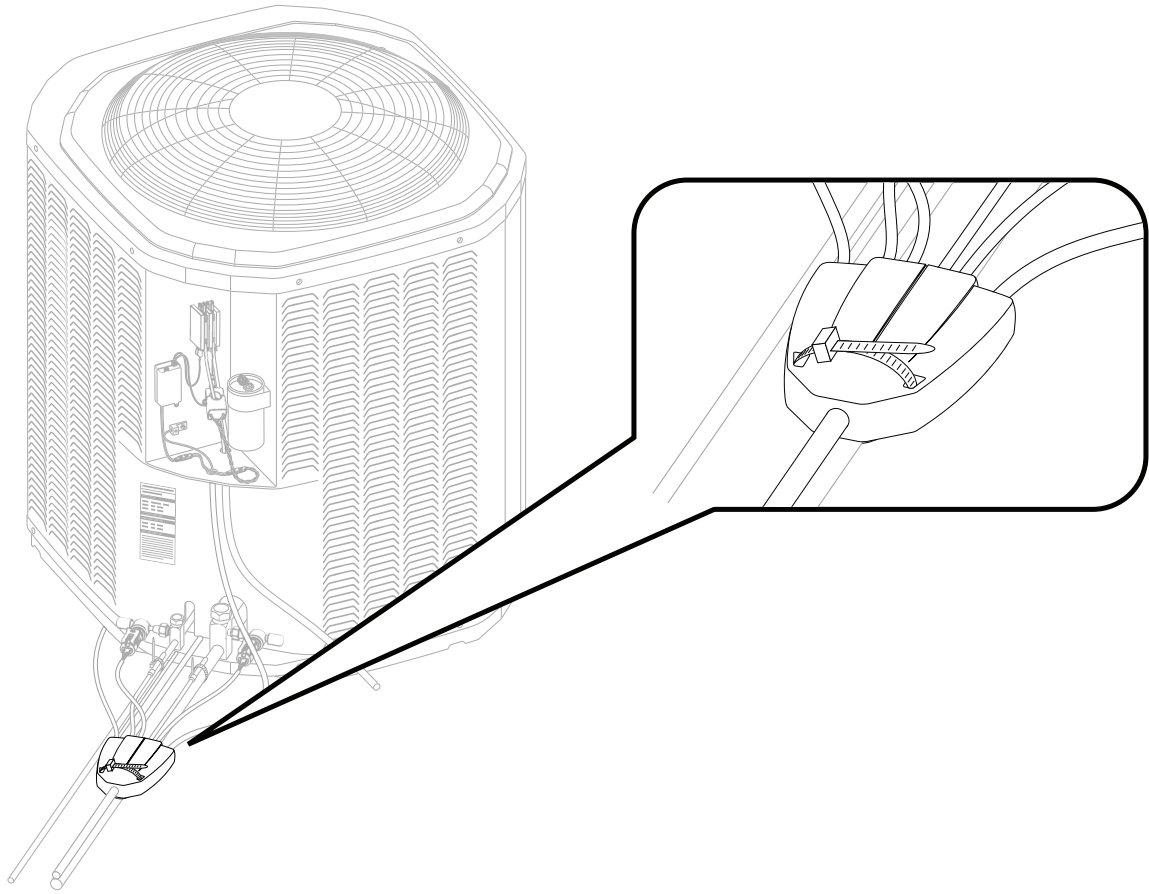
Connect pressure sensors

Connect the red cable on the harness to the liquid line pressure sensor. Connect the blue cable on the harness to the vapor line pressure sensor. Arrange both pressure sensor cables in a drip loop.



6 *Secure temperature sensors*

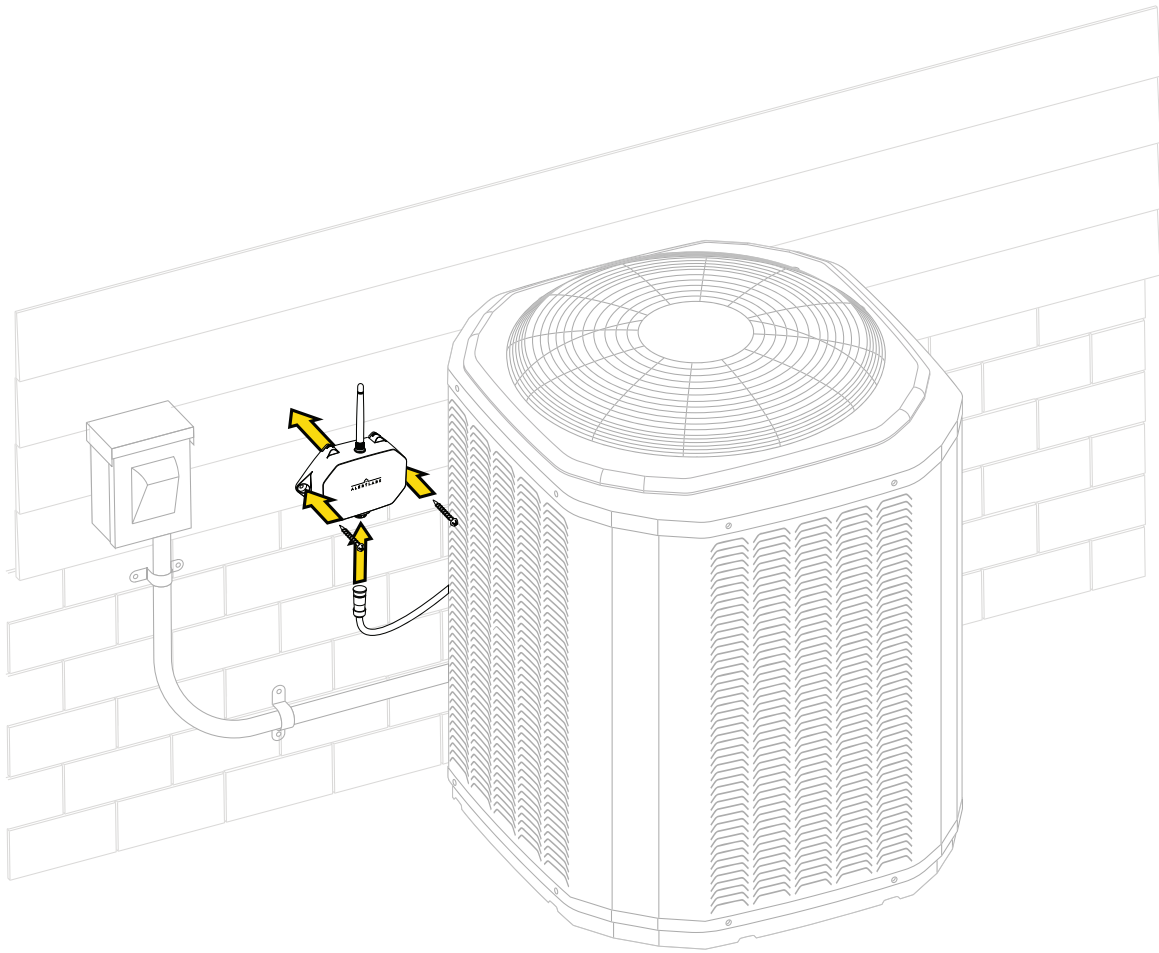
Tightly secure the liquid line (💧 / red) and vapor line (💨 / blue) temperature sensors on the harness to their respective pipelines using the included cable ties, then wrap with foam tape. Attach the ambient (☀️ / black) temperature sensor to a shaded location near the A/C unit, suspended in free air and out of direct sunlight.



7

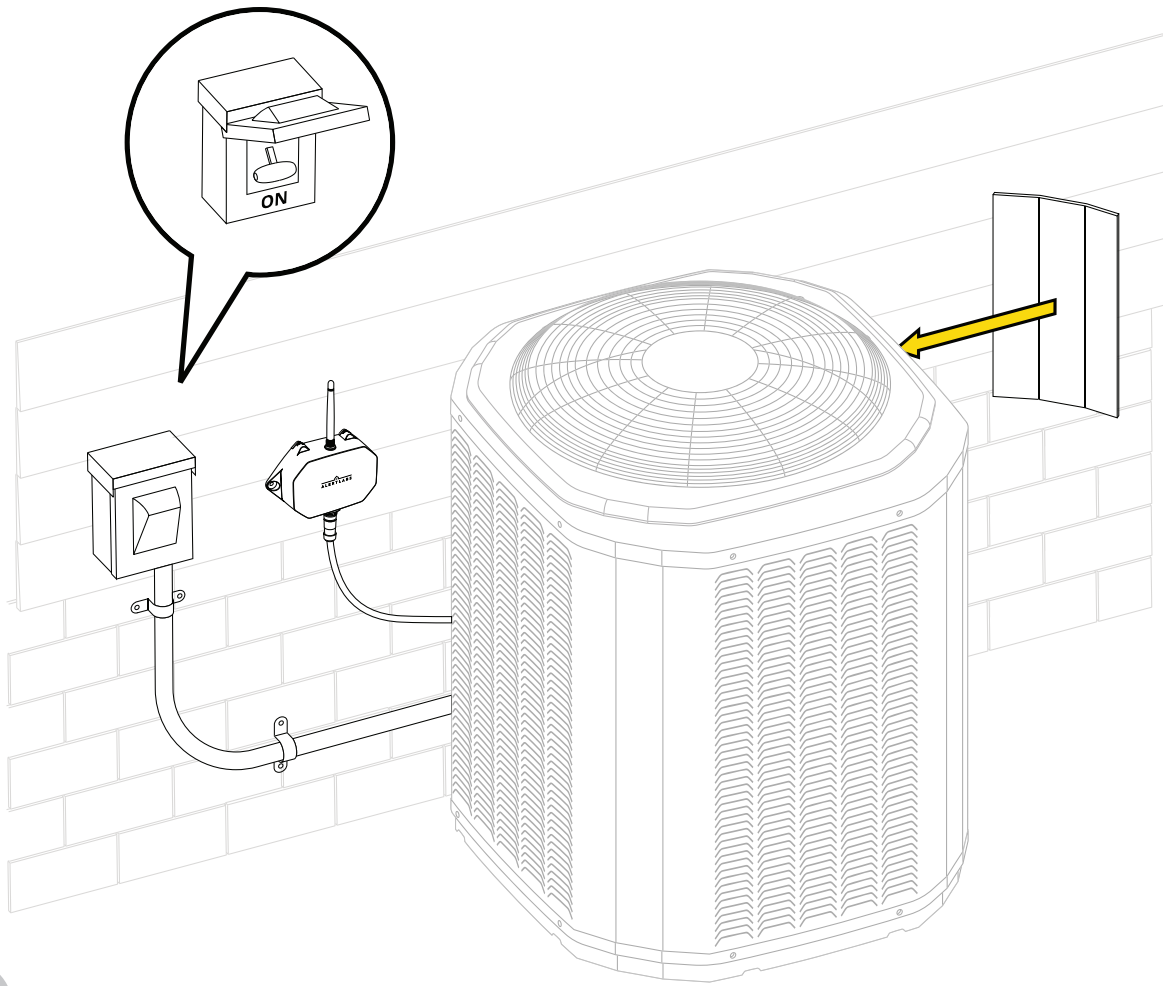
Mount the harness

Attach the harness overmold to a secure location outside of the A/C unit, such as the A/C support bracket, or the vapor line. A cable tie is provided.



8 *Mount the unit*

Plug the primary cable from the harness into the Sentree main housing by pressing the connector in and twisting. Mount the Sentree main housing to a secure, vertical surface with appropriate screws (not included).



Finishing up

Replace the service panel on the A/C unit and switch the power back to the ON position. The indicator light on Sentree will flash red. Monitor the light until it turns green (up to 2 minutes), indicating a good cellular signal has been achieved.

Sign in at **alertlabs.com** to register and activate the Sentree unit.

Need help?

For additional help, or in case of issue, visit alertlabs.com/support or contact us at help@alertlabs.com

