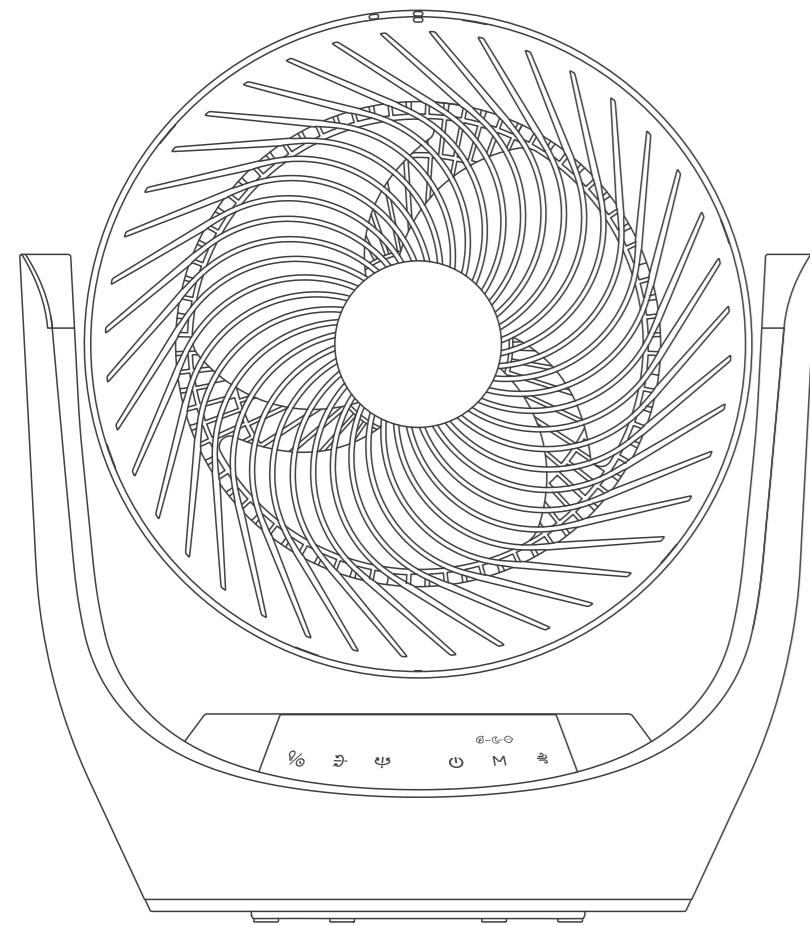


# SwitchBot Battery Circulator Fan User Manual



Please read this user manual carefully before using your device.

## Safety Information

### 1. Carrying

- Before moving the fan, turn it off and unplug from power.
- When moving the fan, hold the handle at back tightly to prevent dropping.

### 2. Charging

- Make sure that the voltage of your electricity supply is the same as that indicated on the fan.
- Unplug when charging is complete.
- Do not charge the fan on inflammable materials like bedsheets or blanket.
- Replace the charging cable or charger if the original ones are unable to charge.
- If the fan becomes unusually hot or warps, unplug it immediately.
- Do not replace batteries yourself.
- Do not dismantle, repair or modify. All servicing should be performed by authorized persons or agents.
- Before disposing of the fan, please remove the batteries.
- Before removing the batteries, make sure your fan is turned off and unplugged. Dispose of the batteries properly.

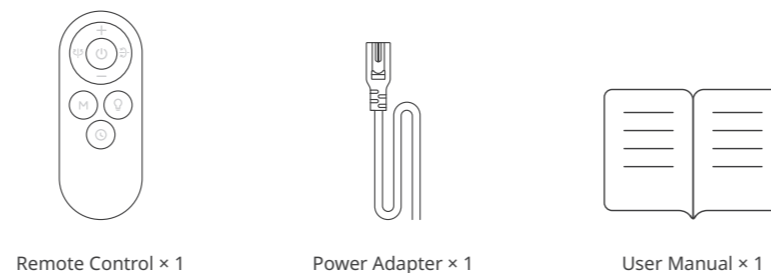
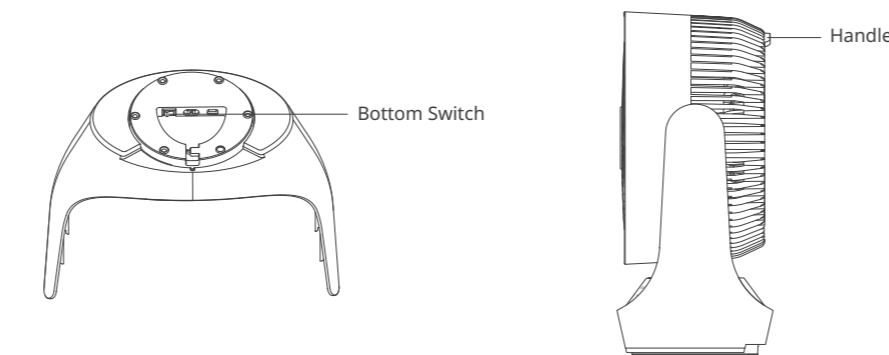
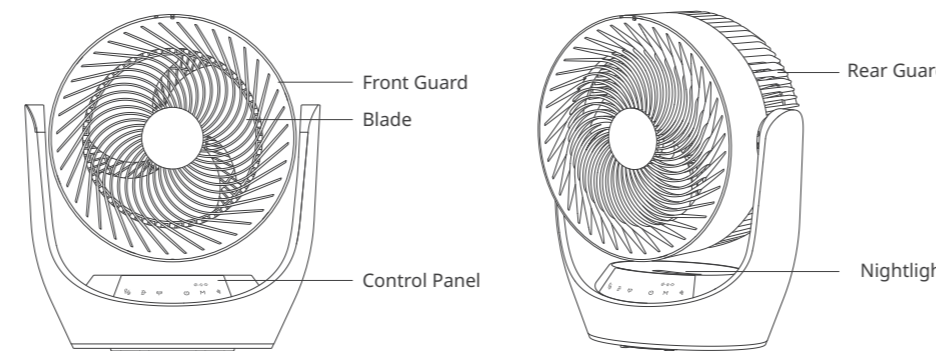
### 3. In use

- When the fan is working, do not insert fingers, pencil or other objects into the grilles.
- If there is abnormal sound or smell emitting from the fan, or the fan becomes extremely hot or runs with irregular rotation, turn it off immediately and contact our customer support.

### 4. Warning

- Do not use the fan near objects that are easily tipped over.
- Do not use the fan in hot and humid environments, such as bathrooms.
- Do not let children or adults who are unfamiliar with the user manual operate the fan.
- Do not place the fan near water sources or heat sources.
- Do not put the fan under running water directly.
- Keep hair and soft cloths away from the fan rear to prevent being drawn into the fan.
- Do not spray cleaning fluid or insecticides on the fan, as those may damage the fan surface.
- Do not use outdoors.
- When you leave or is not using the fan, turn off the power to prevent fire, electrical shock or injury.

## List of Components



Please note: illustrations of this product and accessories are for reference only.

## Preparation

You will need:

- A smartphone or tablet using Bluetooth 4.2 or later.
- The latest version of our app, downloadable via the Apple App Store or Google Play Store.
- A SwitchBot account, you can register via our app or sign in to your account directly if you already have one.

Please note:

if you intend to use the Cloud Services feature, you will need a SwitchBot Hub (sold separately).



## How to Use

### Power On

1. Switch the bottom switch to I.
2. Check the remaining battery level. Charge your fan if the battery level is too low. It will take at least 4 hours to fully charge your fan.
3. Operate the control panel and let your fan work.

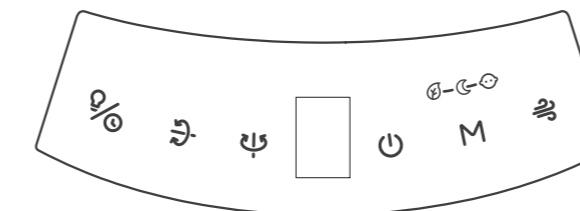
### Add Your Fan to Our App

Open our app and sign in to your account. Tap "+" located at the top right-hand corner of the home page, select "Add Device", find the Fan icon and select. Then follow the instructions to add your Fan.



### Control Panel

Open our app and sign in to your account. Tap "+" located at the top right-hand corner of the home page, select "Add Device", find the Fan icon and select. Then follow the instructions to add your Fan.



Buttons	Descriptions
	<ul style="list-style-type: none"> <li>• Turn on the fan to previous settings by default.</li> <li>• For first-time use: enter Normal mode, fan speed 1.</li> </ul>
	<ul style="list-style-type: none"> <li>• Switch between Natural, Sleep and Gentle mode.</li> <li>• Circulator fan simulates natural wind to blow.</li> <li>• Fan speed decreases by 1 level every 30 minutes and will remain constant when at level 1.</li> <li>• Circulator fan runs at the lowest speed.</li> </ul>
	<ul style="list-style-type: none"> <li>• Enter Normal mode</li> <li>• Press repeatedly to cycle through fan speed 1 to 9.</li> </ul>
	<ul style="list-style-type: none"> <li>• Short press to activate/deactivate horizontal oscillation.</li> <li>• Long press to make the fan oscillate to the front and then stop oscillating.</li> </ul>
	<ul style="list-style-type: none"> <li>• Short press to activate/deactivate vertical oscillation.</li> <li>• Long press to make the fan oscillate to the level position and then stop oscillating.</li> </ul>
	<ul style="list-style-type: none"> <li>• Short press to turn on Nightlight, dim Nightlight or turn off Nightlight.</li> <li>• Long press for 2 seconds to set a timer. Timer can be set from 1 to 9 hours and the number will show on the display.</li> </ul>
	<ul style="list-style-type: none"> <li>• Show remaining battery level. Charging is required when there is only 1 grid.</li> </ul>

Please note:

- The oscillation angle range is adjustable in our app.
- After turned off, the fan will operate under the previous settings (Fan speed, oscillation direction and mode) when it is turned on again.

### Remote Control

Buttons	Descriptions	Buttons	Descriptions
	Power		Vertical Oscillation
	Increase Speed		Switch Mode
	Decrease Speed		Nightlight
	Horizontal Oscillation		Timer

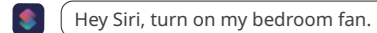


### Third-party Services

After connecting your fan to a SwitchBot Hub (sold separately), you can use the following services.



## Voice Commands



## Charging Methods

- AC Charging  
Connect your fan to an AC outlet using the provided power adapter.
- Type-C Charging  
Use a Type-C cable and USB charger to connect your fan to an AC outlet. (Type-C cable and USB charger not provided)

Please note: It is normal if the battery part gets a little hot when charging.

## Oscillation Direction

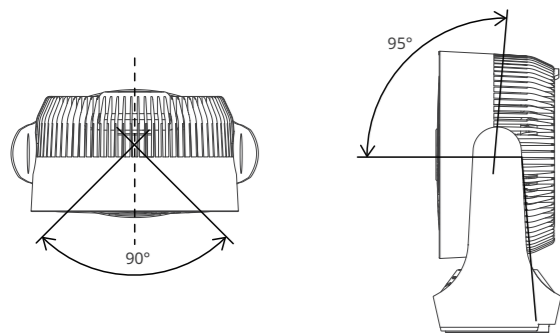
- The horizontal oscillation angle range is 90°.
- The vertical oscillation angle range is 95°.

Please note:

- Your fan will oscillate automatically within the angle range. Do not adjust the angle manually with force.
- You can turn on the "Auto-Align Front" feature in our app so your fan will automatically return to a front-facing level position every time it is turned off.

Please note:

If the fan is turned off or disconnected from power, it will operate under the previous settings before power was disconnected (fan speed, oscillation direction and mode) when it is turned on again.



## Cleaning and Maintenance

Caution:

- Always unplug the fan before any cleaning and maintenance to avoid the risk of fire, electric shock, or injury.
- Wait until the fan completely cools down before cleaning.
- Do not use any chemical agents when cleaning the fan.
- Do not immerse in water or get water inside the motor housing.
- Clean and maintain your fan regularly to extend product life.



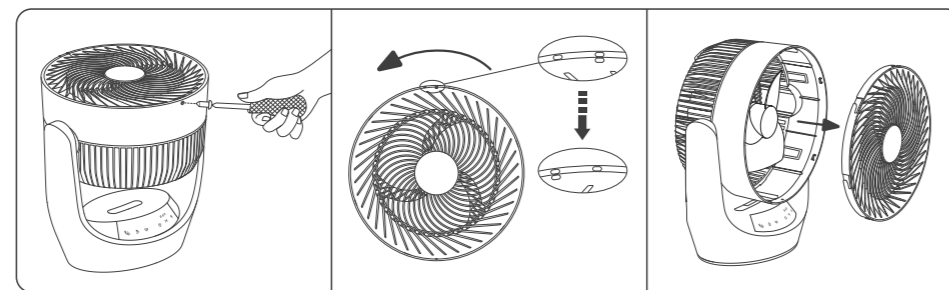
\*Use a vacuum to vacuum the dust on the floor.

## Outer Surface

Gently wipe off dust with a soft, dry cloth. If there are hard-to-remove stains, use a soft cloth soaked in neutral detergent to clean, then wipe off the remaining detergent with a dry cloth.

## Front Guard and Blades

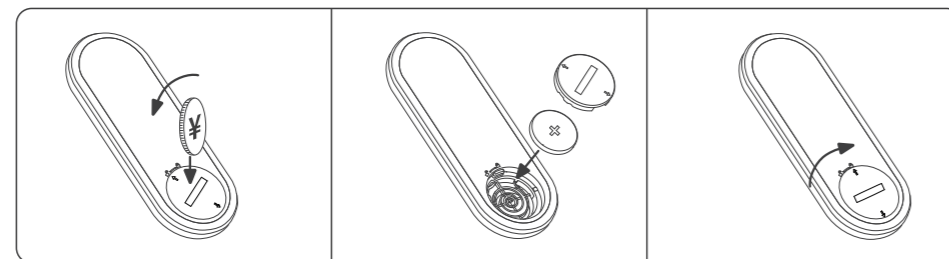
- Remove the screws on the front, rotate the front guard counterclockwise to take it off. The blades cannot be removed.
- Use a clean, damp cloth to clean the blades and the front guard.
- Dry up the blades and front guard before installing back in place.



\*Use a vacuum to vacuum the dust on the floor.

## Replacing the Remote Control Battery

Insert a screwdriver or a coin into the groove on the battery cover, rotate it to the "unlock" position to open the cover. Replace with a new CR2032 battery. Then put the cover back and turn it to the "lock" position.



Please note:

- Be sure to replace with a new battery.
  - When not in use for an extended period, remove the battery to prevent leakage.
- \*The batteries must be disposed of properly according to local regulations.

## Resetting Factory Settings

Press and hold the Power button, the indicator lights will start to flash after 1 second and stop flashing after 15 seconds. Your device has now been reset successfully.

## Firmware Upgrades

In order to improve user experience, we will regularly release firmware updates to introduce new functions and solve any software defects that may occur during usage. When a new firmware version is available, we will send an upgrade notification to your account via our app. When upgrading, please make sure your product has sufficient battery and make sure your smartphone is within range to prevent interference.

## Frequently Asked Questions

Q: My circulator fan won't work, why?

A: Make sure the bottom switch is on. Connect your circulator fan to a power outlet in case it has run out of battery.

Q: Why is my circulator fan making too much noise?

A: Please place your circulator fan on a flat, level surface. You can also check if your fan blades are loose and secure them.

Q: I can't use remote control, what can I do?

A: Replace the batteries, and make sure you're using the remote control within 5 meters of your circulator fan. You can also try removing obstacles between your circulator fan and the remote control to improve device signal.

Q: Why is my fan speed so slow?

A: Your fan blades may be too dusty and need cleaning.

Please visit our website or scan the QR code below for more information.



## Specifications

**Color:** White **Material:** ABS **Size:** 334 × 173 × 382 mm (13.1 × 6.8 × 15 in.) **Weight:** 2380 g (84 oz.)  
**Input:** AC 100 V ~ 240 V; USB 5 V / 2 A **Power:** 19 W **Frequency:** 50 Hz / 60 Hz  
**Fan Batteries:** 7.4 V / 3600 mAh lithium battery 2S2P **Remote Control Batteries:** CR2032  
**Fully Charged Time:** 4 hours or above **Network Connectivity:** Bluetooth Low Energy 4.2 or above  
**System Requirements:** iOS 11.0+, Android OS 5.0+, watchOS 4.0+

## Warranty

We warrant to the original owner of the product that the product will be free from defects in materials and workmanship. Please note that this limited warranty does not cover:

- Products submitted beyond the original limited warranty period.
- Products on which repairs or modifying have been attempted.
- Products subjected to falls, extreme temperatures, water, or other operating conditions outside the product specifications.
- Damage due to natural disaster (including but not limited to lightning, flood, tornado, earthquake, or hurricane, etc.).
- Damage due to misuse, abuse, negligence or casualty (e.g. fire).
- Other damage that is not attributable to defects in the manufacture of product materials.
- Products purchased from unauthorized resellers.
- Consumable parts (including but not limited to batteries).
- Natural wear of the product.

## Contact & Support

Setup and Troubleshooting: [support.switch-bot.com](mailto:support.switch-bot.com)

Support Email: [support@switch-bot.com](mailto:support@switch-bot.com)

Feedback: If you have any concerns or problems when using our products, please send feedback via our app through the Profile > Help & Feedback page.

## FCC Warning

This device complies with Part 15 of the FCC Rules. Operation is subject to the following two conditions:

- This device may not cause harmful interference.
- This device must accept any interference received, including interference that may cause undesired operation.

NOTE: This equipment has been tested and found to comply with the limits for a Class B digital device, pursuant to part 15 of the FCC Rules. These limits are designed to provide reasonable protection against harmful interference in a residential installation.

This equipment generates uses and can radiate radio frequency energy and, if not installed and used in accordance with the instructions, may cause harmful interference to radio communications. However, there is no guarantee that interference will not occur in a particular installation. If this equipment does cause harmful interference to radio or television reception, which can be determined by turning the equipment off and on, the user is encouraged to try to correct the interference by one or more of the following measures:

- Reorient or relocate the receiving antenna.
- Increase the separation between the equipment and receiver.
- Connect the equipment into an outlet on a circuit different from that to which the receiver is connected.
- Consult the dealer or an experienced radio/TV technician for help.

NOTE: The manufacturer is not responsible for any radio or TV interference caused by unauthorized modifications to this equipment. Such modifications could void the user's authority to operate the equipment.

## FCC Radiation Exposure Statement

This equipment complies with FCC radiation exposure limits set forth for an uncontrolled environment. This equipment should be installed and operated with minimum distance 20 cm between the radiator and your body.

Manufacturer: Woan Technology (Shenzhen) Co., Ltd.  
Address: Room 1101, Qiancheng Commercial Center, No. 5 Haicheng Road, Mabu Community, Xixiang Sub-district, Bao'an District, Shenzhen, Guangdong, P.R.China, 518100