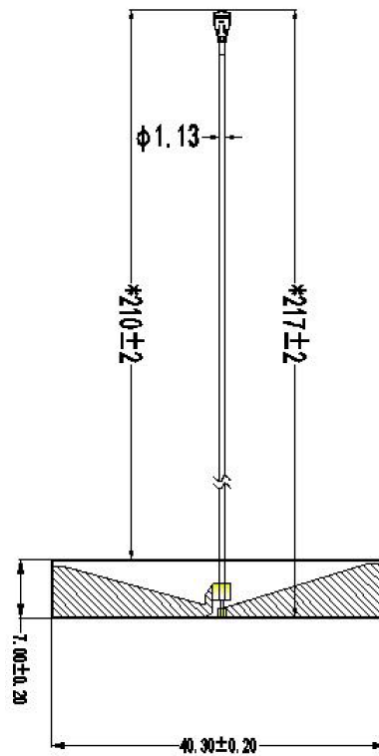
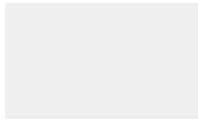


Antenna Specification

1. Antenna Describe

Antenna Manufacturer	Shenzhen Shuodian Electronic Technology Co.,Ltd
Antenna Address	508 West, Building 64, Jinlong Industrial City, Majialong, Nanshan District, Shenzhen
Antenna Model	WAS1 Mini BT-PCB
Antenna Type	PCB Antenna
Antenna Gain	3.08dBi Max
Frequency Rang	2400-2500MHz
VSWR	≤ 2
Input Impedance	50 Ω

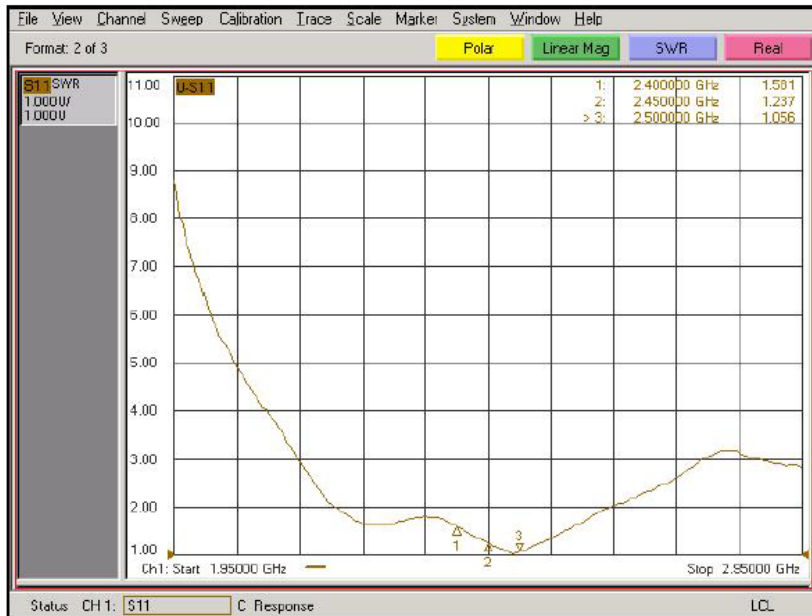
2. External View Drawing



3. Measurement Result

3.1 Antenna performance test diagram

Marker	2400MHz	2450MHz	2500MHz
Returnloss	-13.1	-20.2	-28.9
VSWR	1.5	1.2	1.0

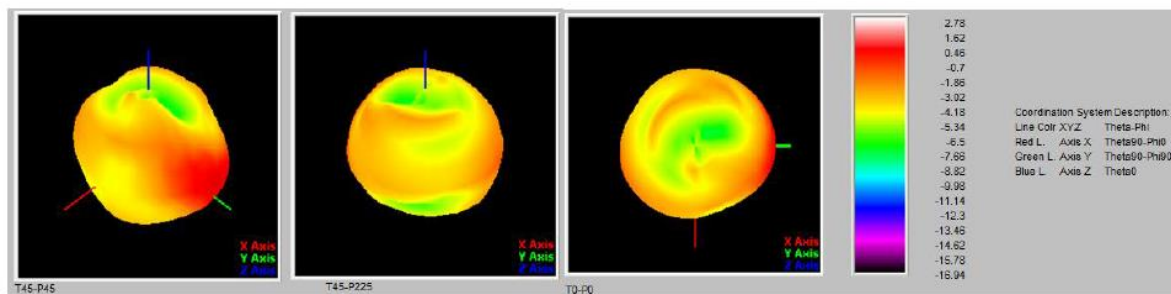


3.2 Antenna test data

Frequency (MHz)	Gain (dBi)	Efficiency (%)
2400	2.42	62.7
2410	2.51	64.7
2420	2.54	65.8
2430	2.27	61.8
2440	2.53	65.1
2450	2.78	67.1
2460	2.93	68.1
2470	3.02	68.6
2480	3.05	68.8
2490	3.08	69.3
2500	3.05	68.9

3.3 Antenna test diagram

3D Diagram



2D Diagram

