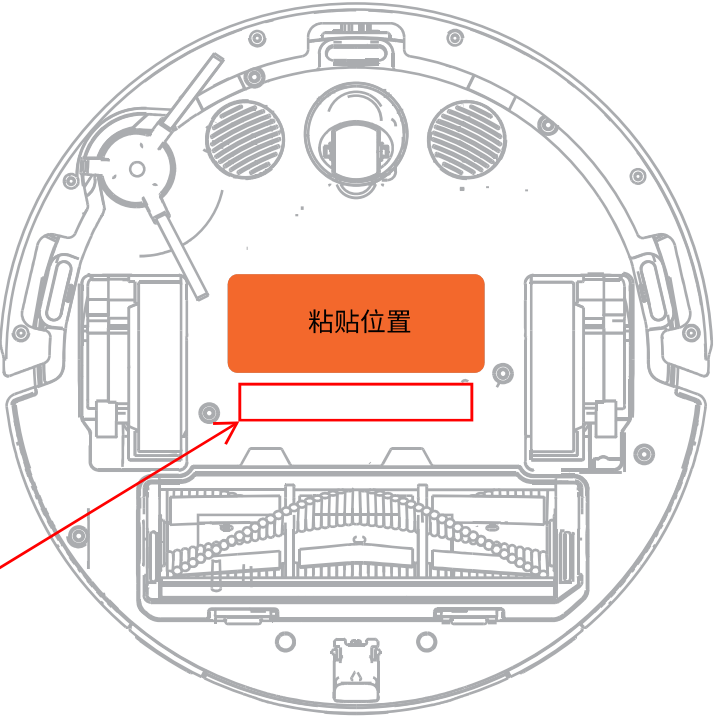


文件名称: K10+ Pro Combo-MP-US-2408	设计师: 洪浩	完成时间: 2024/08/14
版本号: K10+ Pro Combo-MP-US-2408	成品尺寸: 89.5*33.5	
材质和工艺: PET 不干胶, 哑面 底色 Pantone 428C, 字体颜色: Pantone Cool Gray 8C		
更改内容:		

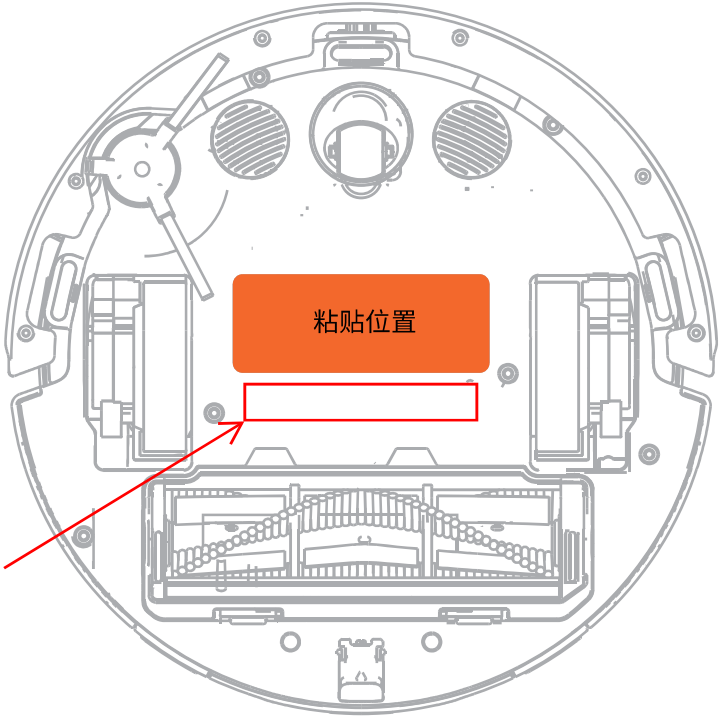
粘贴位置示意(朝上)



This device complies with part 15 of the FCC Rules. Operation is subject to the following two conditions: (1) This device may not cause harmful interference, and (2) this device must accept any interference received, including interference that may cause undesired operation.

文件名称: K10+ Pro Combo-MP-US-2408	设计师: 洪浩	完成时间: 2024/08/14
版本号: K10+ Pro Combo-MP-US-2408	成品尺寸: 89.5*33.5	
材质和工艺: PET 不干胶, 哑面 底色 Pantone 428C, 字体颜色: Pantone Cool Gray 8C		
更改内容: 衍生型号W3002501、W3002502、W3002503、W3002504、W3002505		

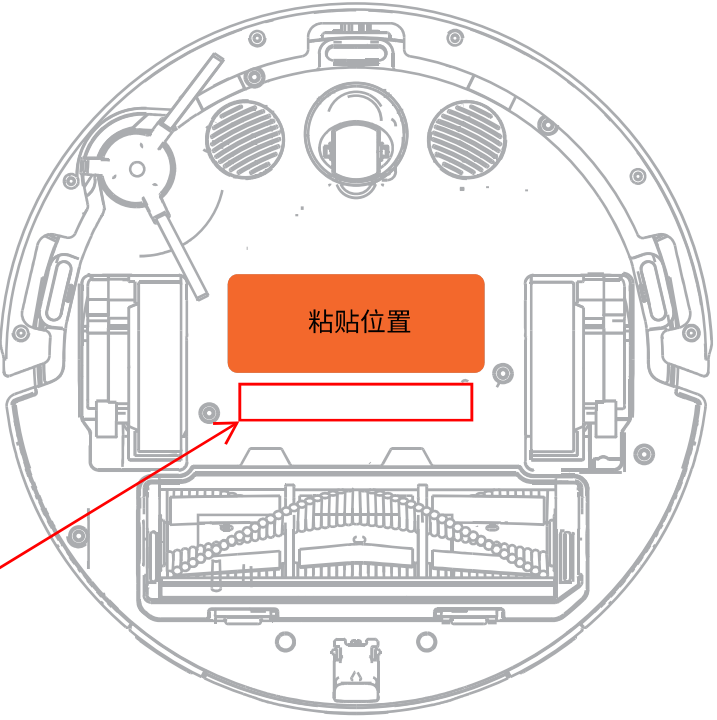
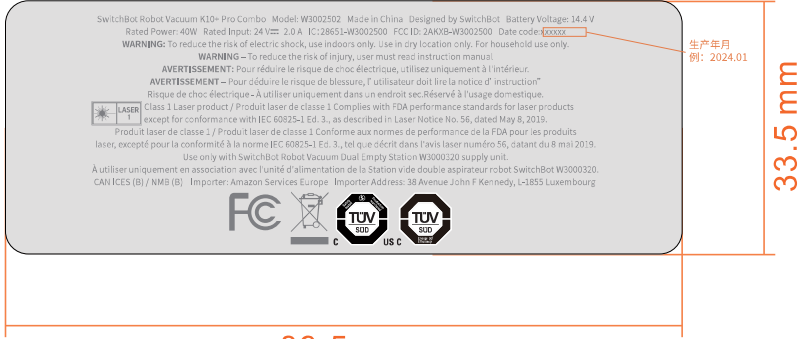
粘贴位置示意(朝上)



This device complies with part 15 of the FCC Rules. Operation is subject to the following two conditions: (1) This device may not cause harmful interference, and (2) this device must accept any interference received, including interference that may cause undesired operation.

文件名称: K10+ Pro Combo-MP-US-2408	设计师: 洪浩	完成时间: 2024/08/14
版本号: K10+ Pro Combo-MP-US-2408	成品尺寸: 89.5*33.5	
材质和工艺: PET 不干胶, 哑面 底色 Pantone 428C, 字体颜色: Pantone Cool Gray 8C		
更改内容: 衍生型号W3002501、W3002502、W3002503、W3002504、W3002505		

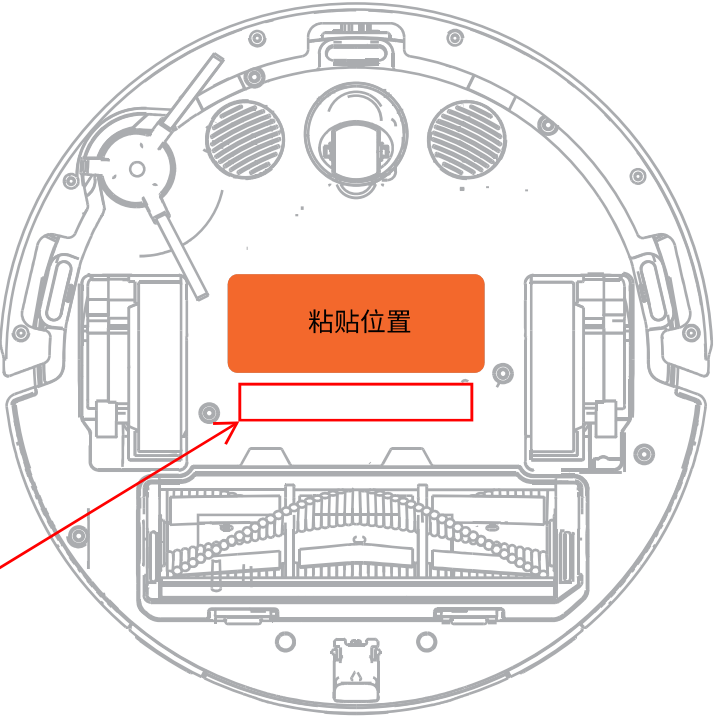
粘贴位置示意(朝上)



This device complies with part 15 of the FCC Rules. Operation is subject to the following two conditions: (1) This device may not cause harmful interference, and (2) this device must accept any interference received, including interference that may cause undesired operation.

文件名称: K10+ Pro Combo-MP-US-2408	设计师: 洪浩	完成时间: 2024/08/14
版本号: K10+ Pro Combo-MP-US-2408	成品尺寸: 89.5*33.5	
材质和工艺: PET 不干胶, 哑面 底色 Pantone 428C, 字体颜色: Pantone Cool Gray 8C		
更改内容: 衍生型号W3002501、W3002502、W3002503、W3002504、W3002505		

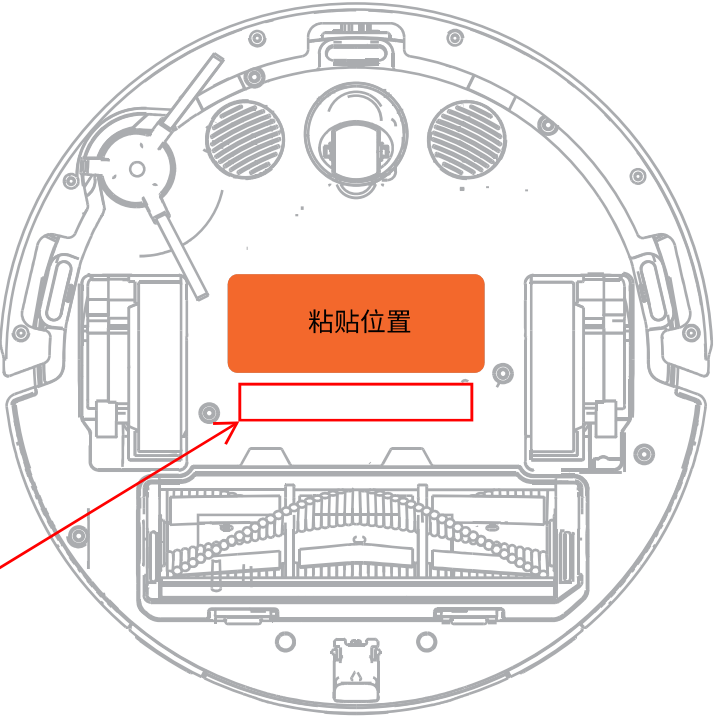
粘贴位置示意(朝上)



This device complies with part 15 of the FCC Rules. Operation is subject to the following two conditions: (1) This device may not cause harmful interference, and (2) this device must accept any interference received, including interference that may cause undesired operation.

文件名称: K10+ Pro Combo-MP-US-2408	设计师: 洪浩	完成时间: 2024/08/14
版本号: K10+ Pro Combo-MP-US-2408	成品尺寸: 89.5*33.5	
材质和工艺: PET 不干胶, 哑面 底色 Pantone 428C, 字体颜色: Pantone Cool Gray 8C		
更改内容: 衍生型号W3002501、W3002502、W3002503、W3002504、W3002505		

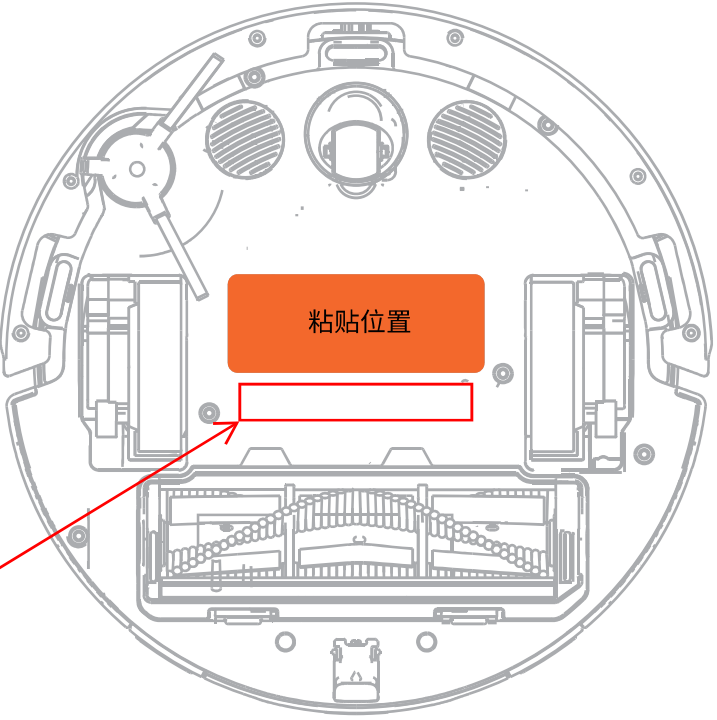
粘贴位置示意(朝上)



This device complies with part 15 of the FCC Rules. Operation is subject to the following two conditions: (1) This device may not cause harmful interference, and (2) this device must accept any interference received, including interference that may cause undesired operation.

文件名称: K10+ Pro Combo-MP-US-2408	设计师: 洪浩	完成时间: 2024/08/14
版本号: K10+ Pro Combo-MP-US-2408	成品尺寸: 89.5*33.5	
材质和工艺: PET 不干胶, 哑面 底色 Pantone 428C, 字体颜色: Pantone Cool Gray 8C		
更改内容: 衍生型号W3002501、W3002502、W3002503、W3002504、W3002505		

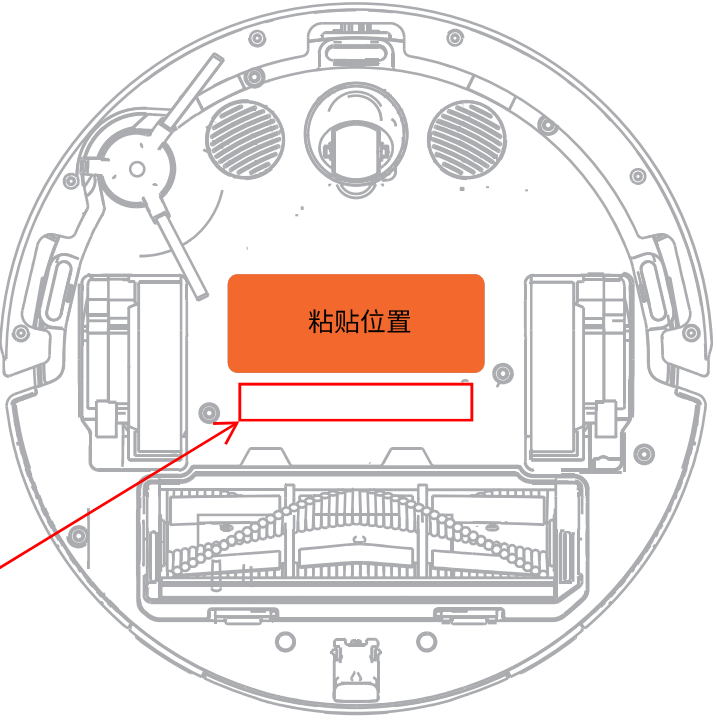
粘贴位置示意(朝上)



This device complies with part 15 of the FCC Rules. Operation is subject to the following two conditions: (1) This device may not cause harmful interference, and (2) this device must accept any interference received, including interference that may cause undesired operation.

文件名称: K20+ Combo-MP-US-2408	设计师: 洪浩	完成时间: 2024/08/28
版本号: K20+ Combo-MP-US-2408	成品尺寸: 89.5*33.5	
材质和工艺: PET 不干胶, 哑面 底色 Pantone 428C, 字体颜色: Pantone Cool Gray 8C		
更改内容:		

粘贴位置示意(朝上)



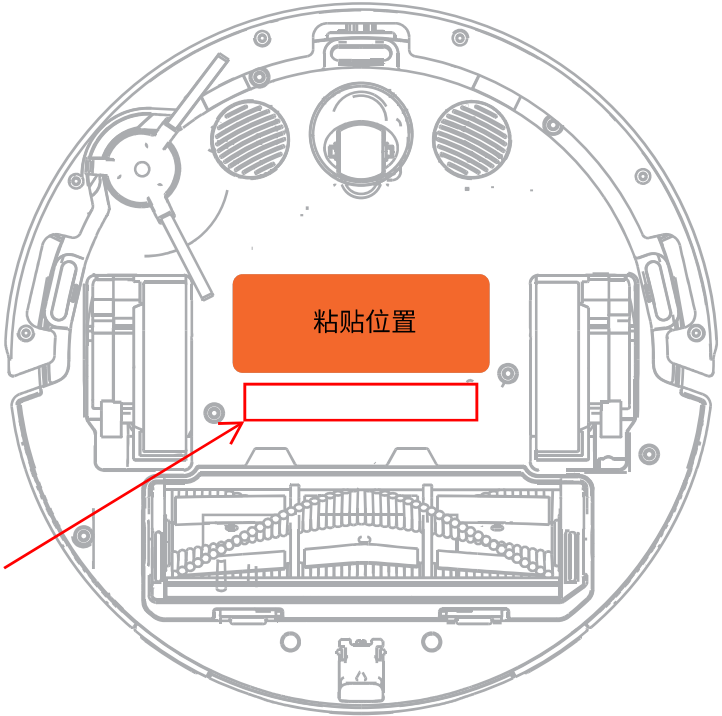
This device complies with part 15 of the FCC Rules. Operation is subject to the following two conditions: (1) This device may not cause harmful interference, and (2) this device must accept any interference received, including interference that may cause undesired operation.

文件名称: K20+ Combo-MP-US-2408	设计师: 洪浩	完成时间: 2024/08/28
版本号: K20+ Combo-MP-US-2408	成品尺寸: 89.5*33.5	
材质和工艺: PET 不干胶, 哑面 底色 Pantone 428C, 字体颜色: Pantone Cool Gray 8C		
更改内容:		

粘贴位置示意(朝上)

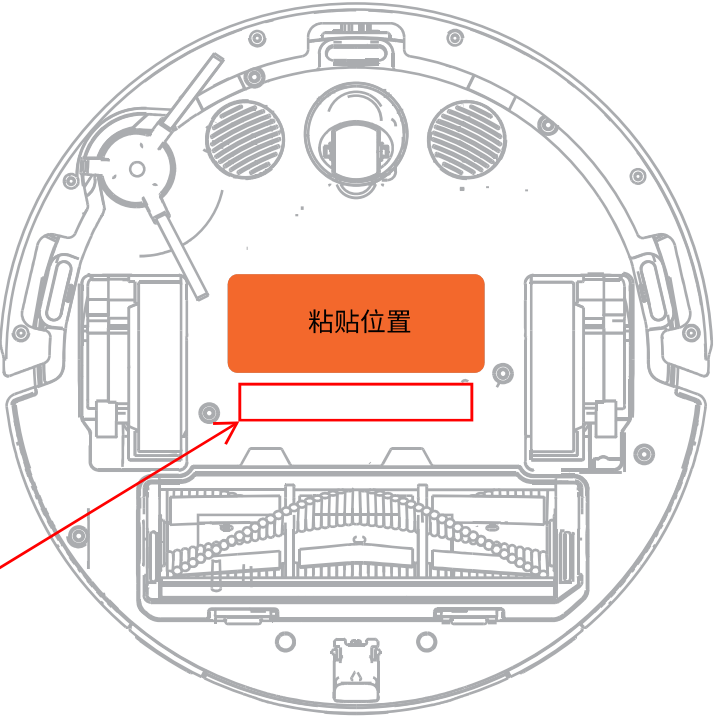


This device complies with part 15 of the FCC Rules. Operation is subject to the following two conditions: (1) This device may not cause harmful interference, and (2) this device must accept any interference received, including interference that may cause undesired operation.



文件名称: K20+ Combo-MP-US-2408	设计师: 洪浩	完成时间: 2024/08/28
版本号: K20+ Combo-MP-US-2408	成品尺寸: 89.5*33.5	
材质和工艺: PET 不干胶, 哑面 底色 Pantone 428C, 字体颜色: Pantone Cool Gray 8C		
更改内容:		

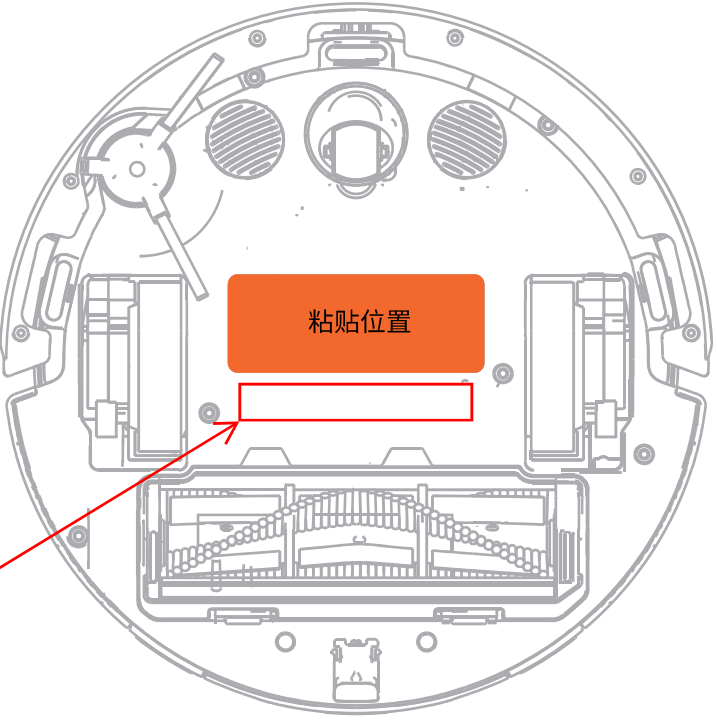
粘贴位置示意(朝上)



This device complies with part 15 of the FCC Rules. Operation is subject to the following two conditions: (1) This device may not cause harmful interference, and (2) this device must accept any interference received, including interference that may cause undesired operation.

文件名称: K20+ Combo-MP-US-2408	设计师: 洪浩	完成时间: 2024/08/28
版本号: K20+ Combo-MP-US-2408	成品尺寸: 89.5*33.5	
材质和工艺: PET 不干胶, 哑面 底色 Pantone 428C, 字体颜色: Pantone Cool Gray 8C		
更改内容:		

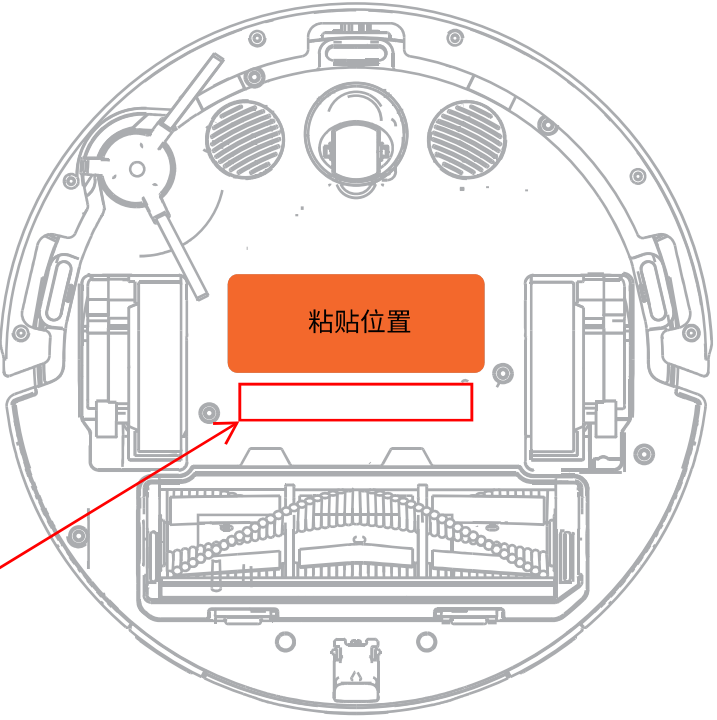
粘贴位置示意(朝上)



This device complies with part 15 of the FCC Rules. Operation is subject to the following two conditions: (1) This device may not cause harmful interference, and (2) this device must accept any interference received, including interference that may cause undesired operation.

文件名称: K20+ Combo-MP-US-2408	设计师: 洪浩	完成时间: 2024/08/28
版本号: K20+ Combo-MP-US-2408	成品尺寸: 89.5*33.5	
材质和工艺: PET 不干胶, 哑面 底色 Pantone 428C, 字体颜色: Pantone Cool Gray 8C		
更改内容:		

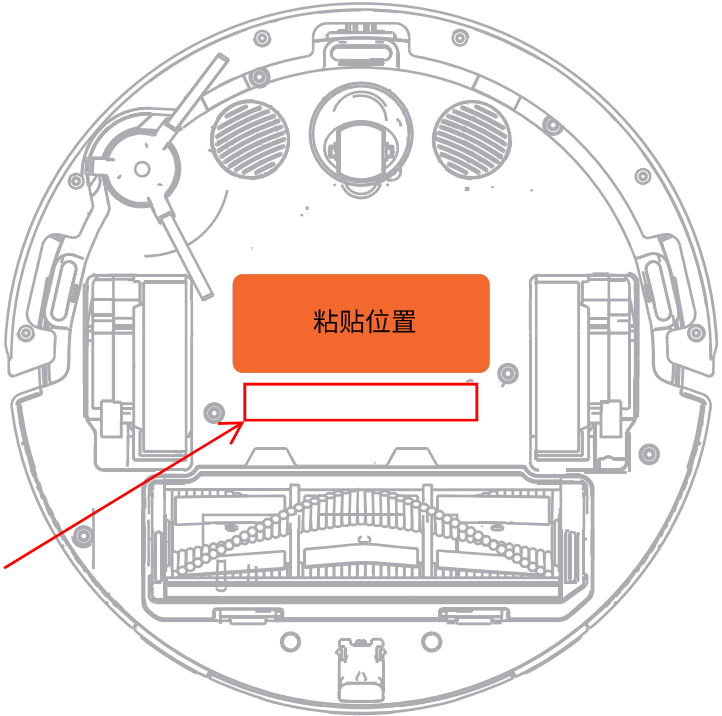
粘贴位置示意(朝上)



This device complies with part 15 of the FCC Rules. Operation is subject to the following two conditions: (1) This device may not cause harmful interference, and (2) this device must accept any interference received, including interference that may cause undesired operation.

文件名称: K20+ Combo-MP-US-2408	设计师: 洪浩	完成时间: 2024/08/28
版本号: K20+ Combo-MP-US-2408	成品尺寸: 89.5*33.5	
材质和工艺: PET 不干胶, 哑面 底色 Pantone 428C, 字体颜色: Pantone Cool Gray 8C		
更改内容:		

粘贴位置示意(朝上)



This device complies with part 15 of the FCC Rules. Operation is subject to the following two conditions: (1) This device may not cause harmful interference, and (2) this device must accept any interference received, including interference that may cause undesired operation.