

SwitchBot Contact Sensor User Manual

1.In the Box



Contact Sensor x 1



AAA batteries x 2



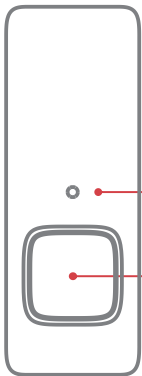
magnet x 1



Sticker x 1

Note: The visuals used in this manual are for reference only. Due to the future updates and improvements of the product, the actual product images may differ.

2.Device Instruction



LED Indicator Light and Light Sensor

Button and Fresnel Lens



Magnet

3.Preparation

A smartphone or tablet with Bluetooth 4.2 or above

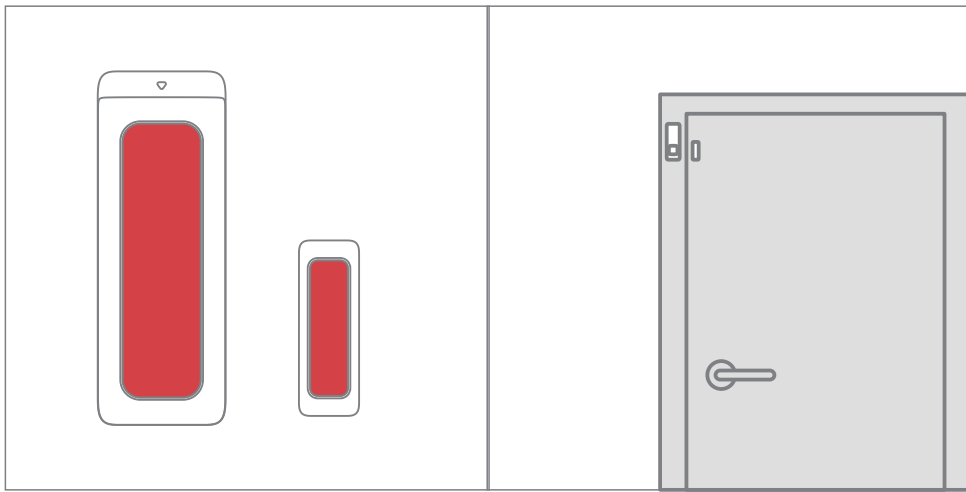
Download the SwitchBot app

Create a SwitchBot account and sign in



4.Installation

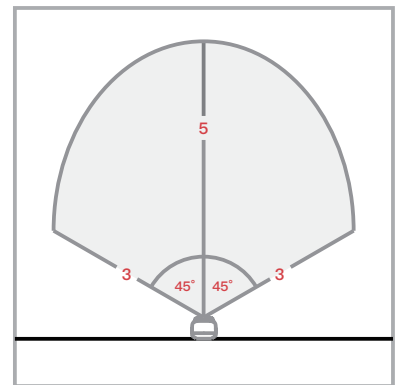
Remove the release paper behind the main body and the magnet, stick it on the door frame or window frame, and press for more than 60 seconds. Note that the two parts need to be aligned at the bottom



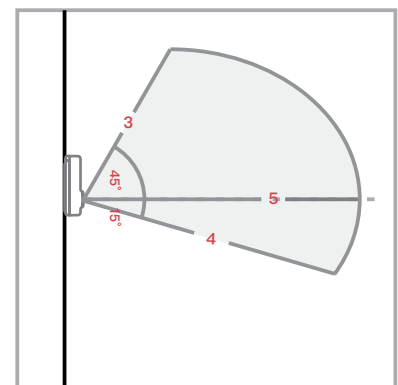
Installation Tips:

Make sure the sensor is not pointing to appliances or heat source in order to reduce interference and to avoid false alarms.

The sensor senses up to 5m away and up to 90°, horizontally.

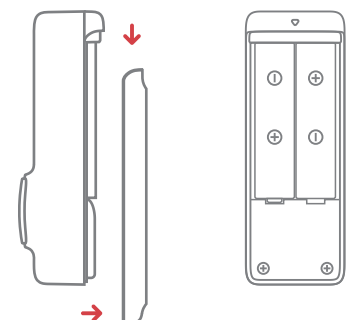


The sensor senses up to 5m and up to 60°, vertically.



5.Initial Setup

1.Remove the back lid of the sensor. Follow the "+" and "-" marks, insert two AAA batteries into the battery box. Put the back lid back.



2. Open the SwitchBot app and sign in.
3. Tap the "+" icon on the top right of the Home page.
4. Choose the Presence Sensor icon to add the device to your account.

6. Battery Replacement, Firmware, and Factory Reset

Battery Replacement

Remove the back lid of the sensor. Follow the "+" and "-" marks, replace the old batteries with new ones. Put the back lid back.

Firmware

Make sure you have the up to date firmware by upgrading in time.

Factory Reset

Long press the Reset Button for 15 seconds or until the LED Indicator Light is on.

Note: After the device is reset, all settings will be set to the default values and the activity logs will be erased.

7. Specification

Model Number: W1201500

Size: Body size 70.5*25.5*23mm, magnet size 35*12*12.5mm

Weight: Body Weight: 43g, magnet Weight 13g

Power & Battery Life: AAx2, typically 3 years

Measure Range: -10°C~60°C, 20~85%RH

Maximum Detection Distance: 5m

Maximum Detection Angle: 120° horizontally and 60° vertically

8. Return and Refund Policy

This product has one-year warranty (start from the purchasing day). The situations below do not fit the Return and Refund Policy.

Intended damage or abuse.

Inappropriate storage (drop down or soaking in water).

User modify or repair.

Using loss.

Force majeure damage (Natural disasters).

9. Contact and Support

Setup and Troubleshooting: support.switch-bot.com

Support Email: support@wondertechlabs.com

Feedback: If you have any concern or problem when using our products, please kindly send feedback from the Profile> Feedback page in the SwitchBot app.

10. FCC Warning

This device complies with part 15 of the FCC Rules. Operation is subject to the following two conditions: (1) This device may not cause harmful interference, and (2) this device must accept any interference received, including interference that may cause undesired operation. Any Changes or modifications not expressly approved by the party responsible for compliance could void the user's authority to operate the equipment. This equipment has been tested and found to comply with the limits for a Class B digital device, pursuant to part 15 of the FCC Rules. These limits are designed to provide reasonable protection against harmful interference in a residential installation. This equipment generates uses and can radiate radio frequency energy and, if not installed

and used in accordance with the instructions, may cause harmful interference to radio communications. However, there is no guarantee that interference will not occur in a particular installation. If this equipment does cause harmful interference to radio or television reception, which can be determined by turning the equipment off and on, the user is encouraged to try to correct the interference by one or more of the following measures:

- Reorient or relocate the receiving antenna.
- Increase the separation between the equipment and receiver.
- Connect the equipment into an outlet on a circuit different from that to which the receiver is connected.
- Consult the dealer or an experienced radio/TV technician for help. The device has been evaluated to meet general RF exposure requirement. The device can be used in portable exposure condition without restriction.

FCC RF exposure statement:

The equipment complies with FCC Radiation exposure limit set forth for uncontrolled environment. This equipment should be installed and operated with minimum distance 20cm between the radiator and your body.