

User Manual

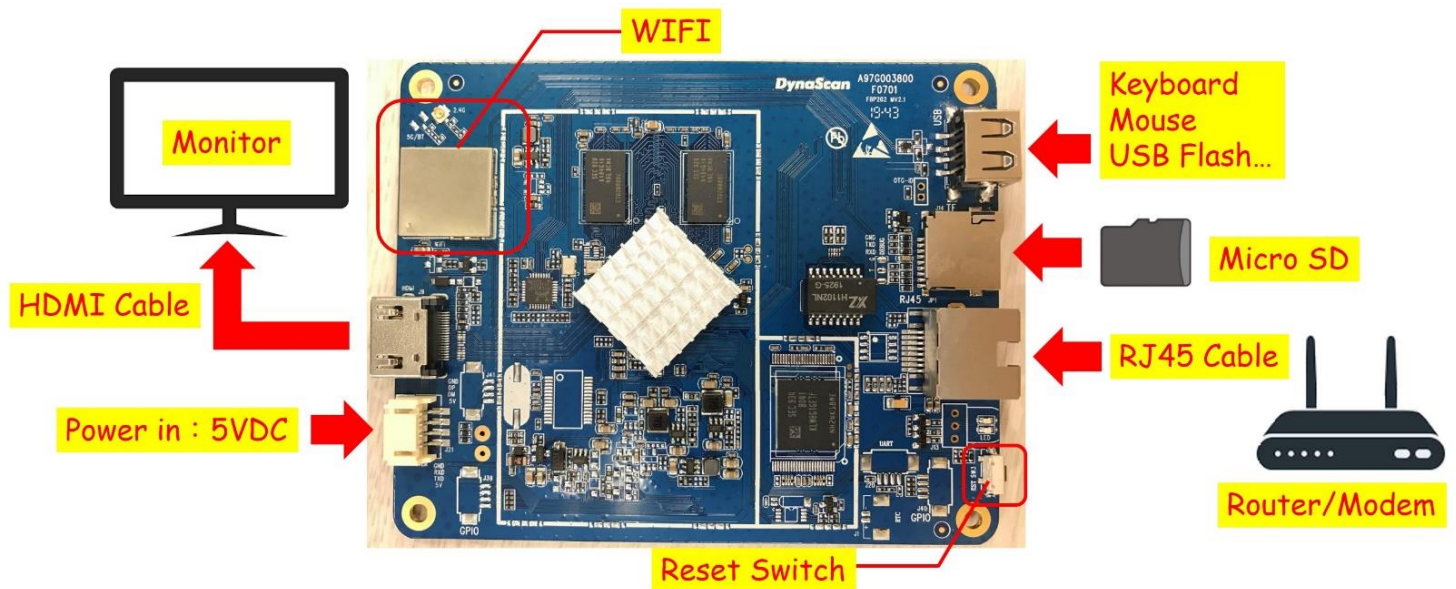
FOR ANDROID CONTROL BOARD WITH WIRELESS MODULE

Product : Digital Transmission System
Model No. : FBP202

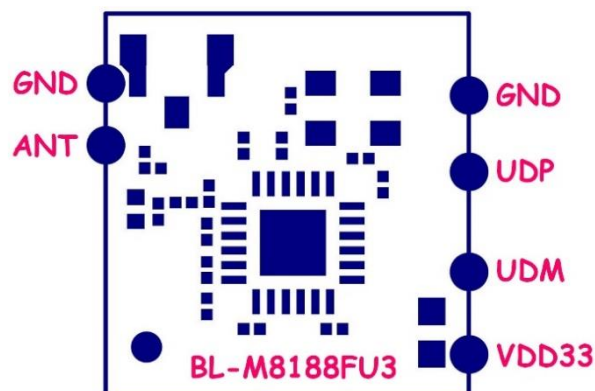
General Specification

Item	Description
Model No	FBP202
Power Input	5VDC (4 pin header)
IEEE Standards	IEEE 802.11 b/g/n (1T1R)
Operating Frequency	2.4GHz ~ 2.4835GHz
Host Interface	USB 2.0 Type A
Display Output	HDMI
Display Native Resolution	1920*1080
Card Reader	Micro SD Card Slot*1
Ethernet	RJ45, 10/100Mbps Fast Ethernet
PCBA Dimension	12.3mm*13.0mm*1.70mm (L x W x H)

Hardware Interface



Module pin Location and Description



■ FCC Statement :

FEDERAL COMMUNICATIONS COMMISSION INTERFERENCE STATEMENT

This equipment has been tested and found to comply with the limits for a Class A digital device, pursuant to part 15 of the FCC Rules. These limits are designed to provide reasonable protection against harmful interference when the equipment is operated in a commercial environment. This equipment generates, uses, and can radiate radio frequency energy and, if not installed and used in accordance with the instruction manual, may cause harmful interference to radio communications. Operation of this equipment in a residential area is likely to cause harmful interference in which case the user will be required to correct the interference at his own expense.

■ Caution :

Any changes or modifications not expressly approved by the grantee of this device could void the user's authority to operate the equipment.

This device complies with part 15 of the FCC Rules. Operation is subject to the following two conditions: (1) This device may not cause harmful interference, and (2) this device must accept any interference received, including interference that may cause undesired operation.

■ RF exposure warning :

This equipment must be installed and operated in accordance with provided instructions and the antenna(s) used for this transmitter must be installed to provide a separation distance of at least 20 cm from all persons and must not be co-located or operating in conjunction with any other antenna or transmitter. End-users and installers must be provide with antenna installation instructions and transmitter operating conditions for satisfying RF exposure compliance.

■ End Product Labeling :

The end product shall bear the following 15.19 statement: This device complies with part 15 of the FCC Rules. Operation is subject to the following two conditions: (1) This device may not cause harmful interference, and (2) this device must accept any interference received, including interference that may cause undesired operation.

This transmitter module is authorized only for use in device where the antenna may be installed such that 20cm may be maintained between the antenna and users. The final end product must be labeled in a visible area with the following:

" Contains FCC ID: 2AKWYFBP202 "

■ This module is intended under the following conditions :

1. This module is certified pursuant to Part 15 rules section(15.247).
2. This module is limited to host model number:64422 / Brand:DynaScan
3. This module has been approved to operate with the antenna types listed below, with the maximum permissible gain indicated.

Frequency Band	Antenna Type	Gain(dBi)
2400-2483.5MHz	PIFA	0.87

■ Information on test modes and additional testing requirements :

This module is restricted to integration into hosts for indoor use only.

Be limited the operation channels in channel 1-11 for 2.4GHz band.

The separate approval is required for all other operating configurations, including portable configurations with respect to Part 2.1093 and different antenna configurations.

The information on how to configure test modes for host product evaluation for different operational conditions for a stand-alone modular transmitter in a host, versus with multiple, simultaneously transmitting modules or other transmitters in a host can be found at KDB Publication 996369 D04.

■ Additional testing, Part 15 Subpart B disclaimer :

Appropriate measurements (e.g. 15B compliance) and if applicable additional equipment authorizations (e.g. SDoC) of the host product to be addressed by the integrator/manufacturer.

This module is only FCC authorized for the specific rule part 15.247 listed on the grant, and the host product manufacturer is responsible for compliance to any other FCC rules that apply to the host product as being Part 15 Subpart B compliant.

■ The user manual of the end product should include :

This device complies with part 15 of the FCC Rules. Operation is subject to the following two conditions: (1) This device may not cause harmful interference, and (2) this device must accept any interference received, including interference that may cause undesired operation.

Any changes or modifications not expressly approved by the party responsible for compliance could void the user's authority to operate this equipment.

The antenna(s) used for this transmitter must be installed to provide a separation distance of at least 20 cm from all persons.

This device and its antenna(s) must not be co-located or operating in conjunction with any other antenna or transmitter.

For product available in the USA/Canada market, only channel 1~11 can be operated. Selection of other channels is not possible.

DynaScan

TW

Address : 7F, 66 Huaya 1st, Road, Guishan, Taoyuan 33383, Taiwan

Office : +886-3-396-0541

<https://www.dynascandisplay.com>

USA

Address : 7 Chrysler, Irvine, CA 92618, USA

Office : +1 949.421.0348

<https://www.dynascandisplay.com>