



F4 Plus Instruction Manual

Version 1.1

Matters for Attention

EN

- When reading the material in camera via USB or charging the camera, please use the lens shield and place the camera on its side. Please do not place the camera on its side without shield so as to avoid scratching the lens.
- The lens is made of glass, and a special mirror cloth is highly recommended in wiping.
- A certain degree of heat may occur when the camera is in working condition, it is a normal phenomenon.

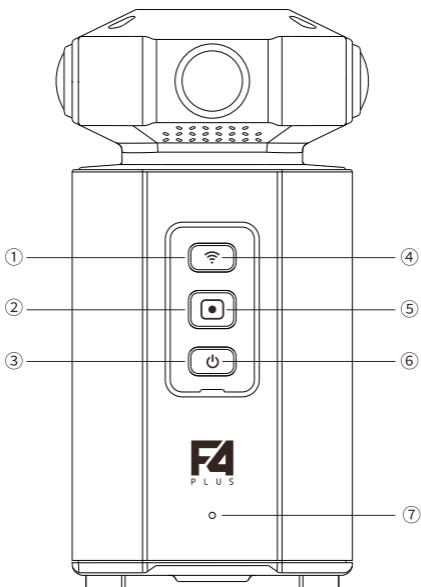
Packing list

- After unpacking, please confirm whether the main body is intact and the accessories are complete.

Main body x 1	Power Adapter x 1
AC cable x 1	Transfer rod for tripod x 1
Ethernet cable x 1	USB cable x 1
Lens wiping cloth x 1	Instruction book x 1
Guarantee card x 1	Lens shield x 1

Product instruction

EN



① Wi-Fi key

② Shutter

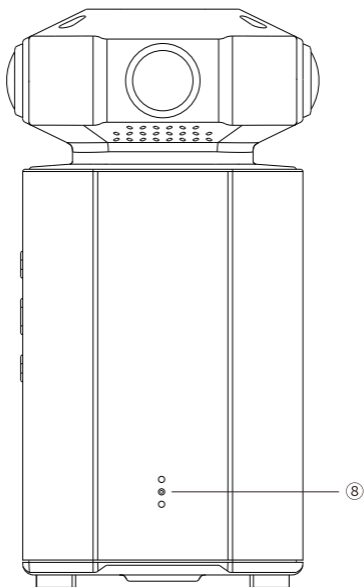
③ Power button

④ Wi-Fi indicator light

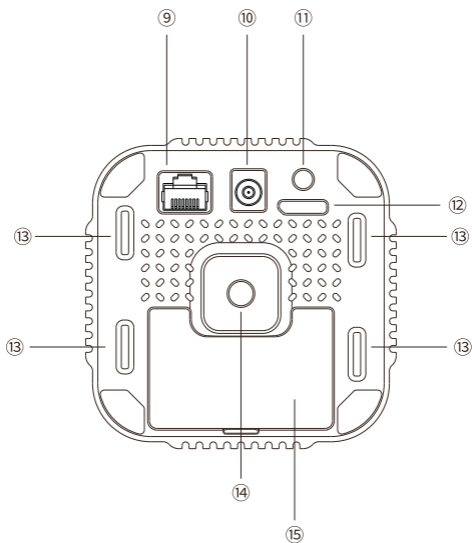
⑤ Shutter indicator light

⑥ Power indicator light

⑦ Status indicator light



⑧ Mic hole



- ⑨ Network interface
- ⑩ DC power interface
- ⑪ 3.5mm audio input interface
- ⑫ USB 3.0 interface
- ⑬ Micro SD card slot
- ⑭ Standard 1/4 screw mount
- ⑮ Battery jar

Camera charging

- **Charging via camera**

Please charge the camera with the F4 Plus special adapter. The camera should be in off condition when charging. The full charging time is about 3 hours.

- The red light of power indicator is on when charging.
- The blue light of power indicator is on when charging completes.

- **Charging base**

Please use the specially-designed charging base for F4 Plus. Full charge of one battery takes about 1.5 hours, 3 hours for two batteries.

Install the memory card

- Before shooting, insert 4 Micro SD cards of the same size according to the direction marks on the camera. To ensure the normal operation, please format the Micro SD cards prior to the initial use.
 - Please back up your data before formatting.
 - The speed level of the Micro SD cards should meet the U3 and V30 or above level of the official SD standard.

App and compatibility

- After the camera is connected to the App, panorama preview, parameter settings, remote shooting, image sharing and camera management are in operational mode. You can download the F4 Plus App through the App Store or other application market.
- iPhone series: iOS 9.0 and above system version, iPhone 6 and above models.
- Android series: Android 4.4 and above system version, for the specific compatible models, please refer to the official instructions or customer service consultation.

Connection device

- Long press the power button to turn on the camera, then the light is always on. The default Wi-Fi is turned on with slow flash of indicator, the Wi-Fi enters into the waiting connection state. After the connection is successful, you can operate on the App side. Short press Wi-Fi button can turn Wi-Fi off / on.

Taking photo and video

- The camera supports two ways of operation, through the APP remote control and through the

button on the camera body. In the working condition, short press the shutter to turn on/off the video recording.

EN

Data transmission and splicing

- The camera can access the computer through the USB data cable and enter the storage mode. On the computer, the panoramic stitching is operational through the special splicing software "DetuStitch", and the content can be checked by matching player.
- When connecting the computer by USB, please ensure the camera is in the operational mode.
- In storage mode, shooting is not supported.
- Splicing software and player download address: <http://www.detu.com/software>.

Panoramic live

- The panoramic live and related settings of the camera can be accomplished by special live software DetuLive.

Parameter specification

EN

Imaging sensor	Sony 12 million pixels Exmor R CMOS
Lens	F2.2 ,200°
Video coding	H.264
Video format	MP4
Video resolution ratio	7680x3840@30fps
Photo resolution ratio	7680x3840
Interface	USB3.0 , RJ45
Storage	Micro SD (Min. supports 16GB, Max. supports 128GB)
Wireless transmission	802.11a/b/g/n/ac
Power input	12V /5A
Battery capacity	4800mAH
External dimension	185x105x105mm
Weight	1.17kg

Name and content of the toxic and harmful substances or elements in the products

EN

Parts name	Toxic and harmful substances or elements					
	Pb	Hg	Cd	CrVI	PBBs	PBDEs
Metal parts	<input type="radio"/>	<input type="radio"/>	<input type="radio"/>	<input type="radio"/>	<input type="radio"/>	<input type="radio"/>
Plastic parts	<input type="radio"/>	<input type="radio"/>	<input type="radio"/>	<input type="radio"/>	<input type="radio"/>	<input type="radio"/>
PCB	<input type="radio"/>	<input type="radio"/>	<input type="radio"/>	<input type="radio"/>	<input type="radio"/>	<input type="radio"/>
PCB welding spot	<input type="radio"/>	<input type="radio"/>	<input type="radio"/>	<input type="radio"/>	<input type="radio"/>	<input type="radio"/>
Shot	<input type="radio"/>	<input type="radio"/>	<input type="radio"/>	<input type="radio"/>	<input type="radio"/>	<input type="radio"/>
Components (includes module)	<input type="radio"/>	<input type="radio"/>	<input type="radio"/>	<input type="radio"/>	<input type="radio"/>	<input type="radio"/>
Wire cable	<input type="radio"/>	<input type="radio"/>	<input type="radio"/>	<input type="radio"/>	<input type="radio"/>	<input type="radio"/>
Paper accessory	<input type="radio"/>	<input type="radio"/>	<input type="radio"/>	<input type="radio"/>	<input type="radio"/>	<input type="radio"/>

This table is made according to China's Measures for the Administration of Restricted Use of Hazardous Substances in Electrical and Electronic Products.

○: Indicates that the content of the harmful substance in all uniform materials of the component is below the limited requirements specified in standard of SJ / 11364-2014.

x: Indicates that the content of the harmful substance in at least one of the uniform materials has exceeded the requirements specified in standard of SJ / 11364-2014.

The contents of this manual are subjected to change without further notice.

FCC Caution:

This device complies with part 15 of the FCC Rules. Operation is subject to the following two conditions: (1) This device may not cause harmful interference, and (2) this device must accept any interference received, including interference that may cause undesired operation.

Any Changes or modifications not expressly approved by the party responsible for compliance could void the user's authority to operate the equipment.

Note: This equipment has been tested and found to comply with the limits for a Class B digital device, pursuant to part 15 of the FCC Rules. These limits are designed to provide reasonable protection against harmful interference in a residential installation. This equipment generates uses and can radiate radio frequency energy and, if not installed and used in accordance with the instructions, may cause harmful interference to radio communications. However, there is no guarantee that interference will not occur in a particular installation. If this equipment does cause harmful interference to radio or television reception, which can be determined by turning the equipment off and on, the user is encouraged to try to correct the interference by one or more of the following measures:

- Reorient or relocate the receiving antenna.
- Increase the separation between the equipment and receiver.
- Connect the equipment into an outlet on a circuit different from that to which the receiver is connected.
- Consult the dealer or an experienced radio/TV technician for help.

This equipment complies with FCC radiation exposure limits set forth for an uncontrolled environment. This equipment should be installed and operated with minimum distance 20cm between the radiator & your body.