



Dongguan YiJia Electronics Communication Technology Co.,Ltd.

SPECIFICATION FOR APPROVAL

Date 2023/06/30
File No 23063002
Revision 1.0

CUSTOMER: Wuhan Guide Sensmart Tech Co., Ltd


CUSTOMER NO: ZG23

PART NAME: WIFI Dual-Band Antenna L=115mm MHF

SUPPLIER NO: YJT01.220.014.302A

Date: Q “TY:

CUSTOMER APPROVED BY		
APPROVAL	CHIEF	SUPERVISOR

SUPPLIER SIGNATURE		
APPROVAL	CHECK	DESIGN
 ChenGuoqiang	XieLi	ChenXingyi

YJ-RD-F04-A



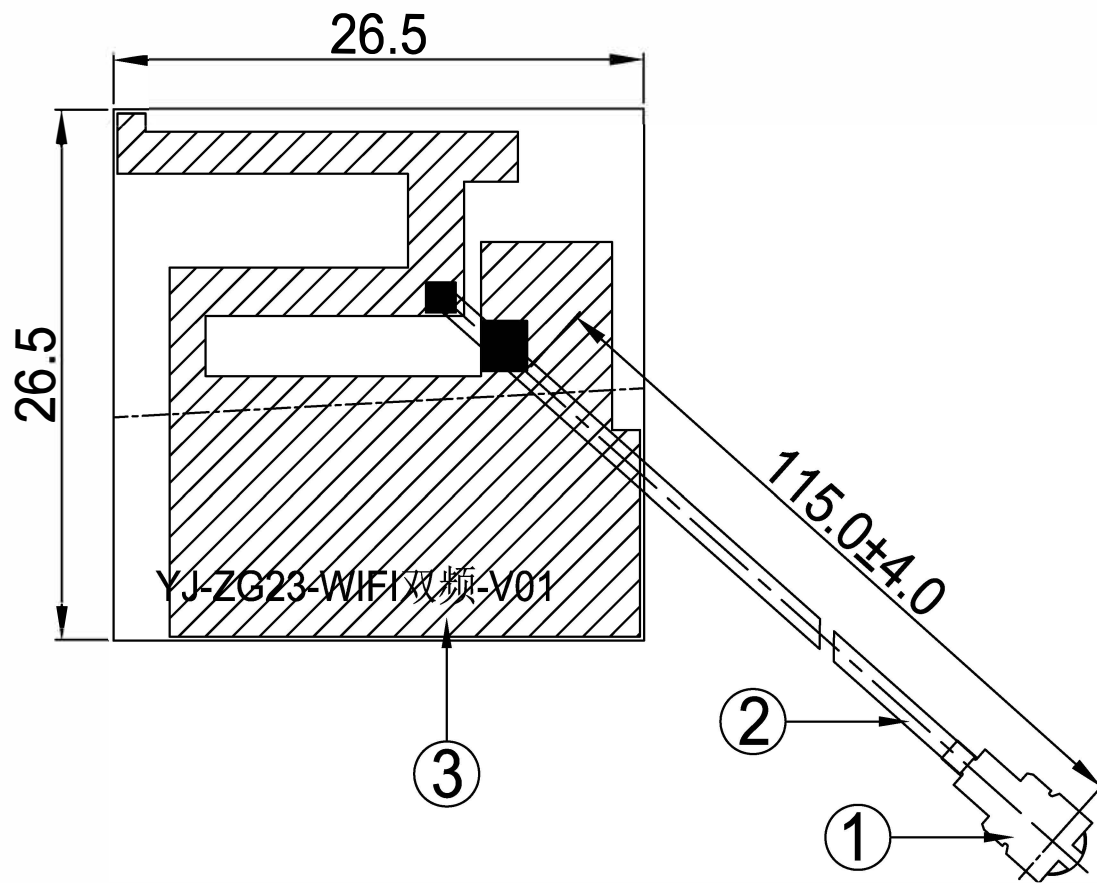
Admission book item table

NO	Contents	Number of Page	Page Code
1	Spec Cover	1	1
2	Spec Item	1	2
3	Drawing	1	3
4	Antenna Specification	1	4
5	S Parameter	1	5
6	Passive Test	2	6 ~ 7
7	Radiation Pattern	2	8 ~ 9
8	-	-	-
9	-	-	-
10	-	-	-
11	-	-	-
12	-	-	-
13	-	-	-

RoHS
Compatible

CUSTOMER	
PART NO	

REV.	DESCRIPTION	DATE
△	initial issue	2022-12-20
⊕	Modified line length	2023-04-06



YJ-ZG23-WIFI双频-V01

Tel :0769-82586086
Fax:0769-82586086

佳 Dongguan YiJia Electronics Communication Technology Co.,Ltd.

PART NAME: WIFI dual-band Antenna L=115mm MHF

PART NO.: YJT01.220.014.302A **DATE:** 2023-04-06

APPROVED BY	CHECKED BY	DESIGNED BY	 Tolerance X.X ±0.50 X.XX±0.15 X° ±3°

UNITS: mm
SCALE: 1/1
REVISION: B

3	FPC	26.5*26.5mm	FPC	FPC10XXXA.P01	1
2	Coaxial Cable	O.D.1.13 Gray	O.D.1.13	COA100XXA.P01	1
1	Mini Connector	Au Plated 1代	Cu	TER100XXA.P01	1
NO	PART NAME	DESCRIPTION	Material	Part Number	Q.TY

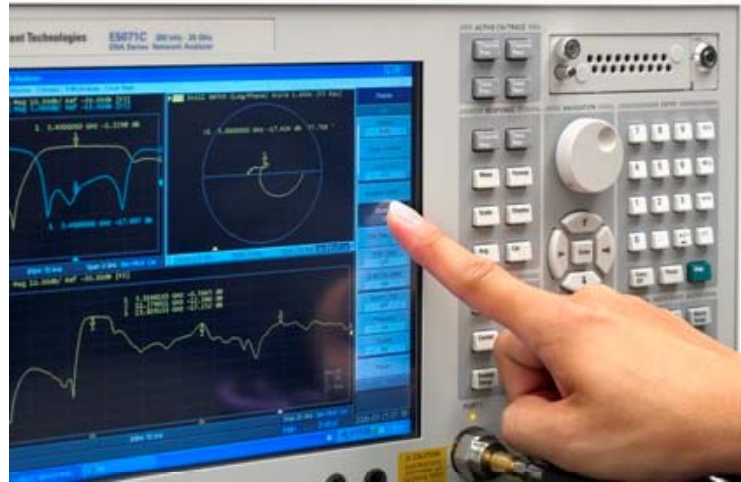


Antenna Specification

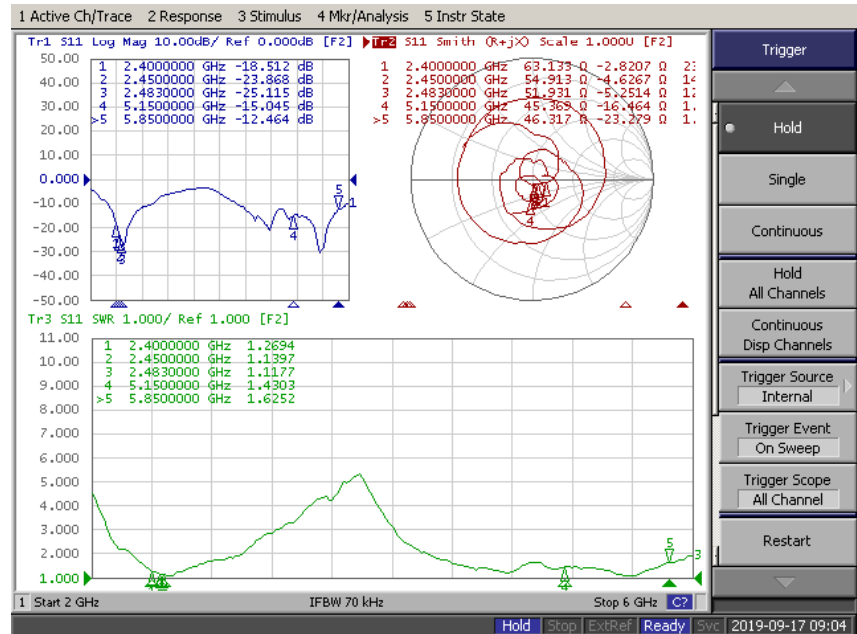
Electrical Properties	
Frequency	2.4-2.5GHz 5.15-5.85GHz
Impedance	50 Ohm Nominal
V.S.W.R	2.0 Max
Gain	1.0 dBi
Radiation	Omni-directional
Polarization	Linear
Physical Properties	
Connector	First generation IPEX
Cable Type	O.D.1.13mm
Cable Length	115mm
Cable Color	Gray
Operating Temp.	-40 ~ +85 °C
Storage Temp / Humidity	25 ± 5 °C / <70%



Agilent E5071B



S Parameter Test // WiFi





Passive Test For WiFi(2.4G)			
Freq (MHz)	Effi (%)	Effi (dB)	Gain (dBi)
2400	41.1	-3.9	0.0
2410	41.2	-3.9	0.0
2420	41.3	-3.8	0.0
2430	41.0	-3.9	0.1
2440	41.9	-3.8	0.2
2450	41.9	-3.8	0.3
2460	40.9	-3.9	0.2
2470	40.8	-3.9	0.2
2480	40.0	-4.0	0.2
2490	39.7	-4.0	0.4
2500	40.5	-3.9	1



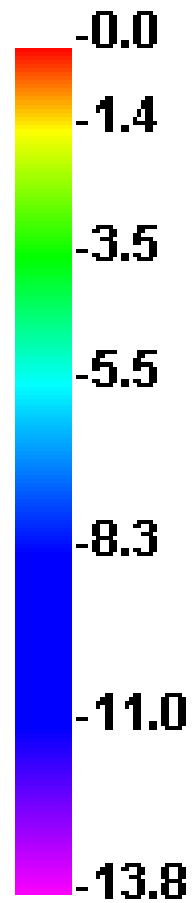
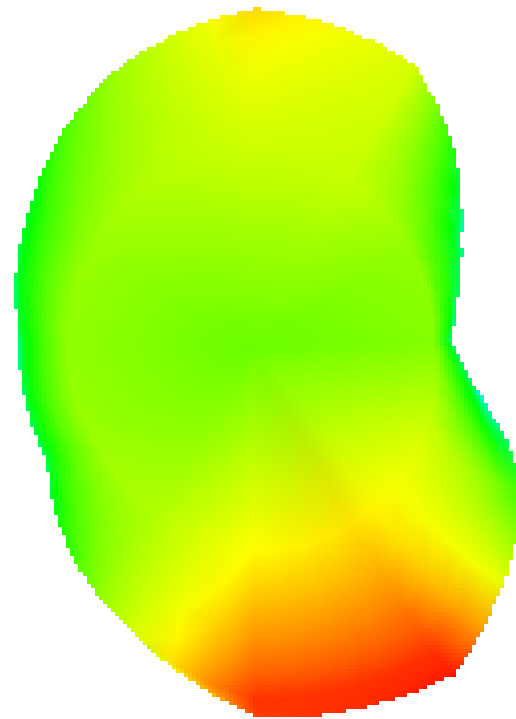
Passive Test For WiFi(5.8G)

Freq (MHz)	Effi (%)	Effi (dB)	Gain (dBi)
5100	31.0	-5.1	-0.4
5150	31.6	-5.0	0.0
5200	31.9	-5.0	0.2
5250	28.0	-5.5	-0.5
5300	29.0	-5.4	-1.6
5350	32.9	-4.8	-1.0
5400	35.6	-4.5	-0.8
5450	36.7	-4.4	-0.7
5500	36.5	-4.4	-0.7
5550	36.7	-4.4	-0.5
5600	35.0	-4.6	-0.5
5650	38.3	-4.2	0.3
5700	35.9	-4.4	0.5
5750	36.8	-4.3	0.1
5800	36.1	-4.4	-0.1
5850	37.8	-4.2	0.5



Radiation Pattern For WiFi(2.4G)

2400.000MHz





Radiation Pattern For WiFi(5.8G)

5100.000MHz

