



Dongguan YiJia Electronics Communication Technology Co.,Ltd.

SPECIFICATION FOR APPROVAL

Date 2023/08/23
File No 23082301
Revision 1.0

CUSTOMER: Guide Sensmart


CUSTOMER NO: ZG20A

PART NAME: WIFI Antenna L=130mm MHF

SUPPLIER NO: YJT01.220.016.301A

Date: Q “TY:

CUSTOMER APPROVED BY		
APPROVAL	CHIEF	SUPERVISOR

SUPPLIER SIGNATURE		
APPROVAL	CHECK	DESIGN
 ChenGuoqiang	XieLi	ChenXingyi

YJ-RD-F04-A



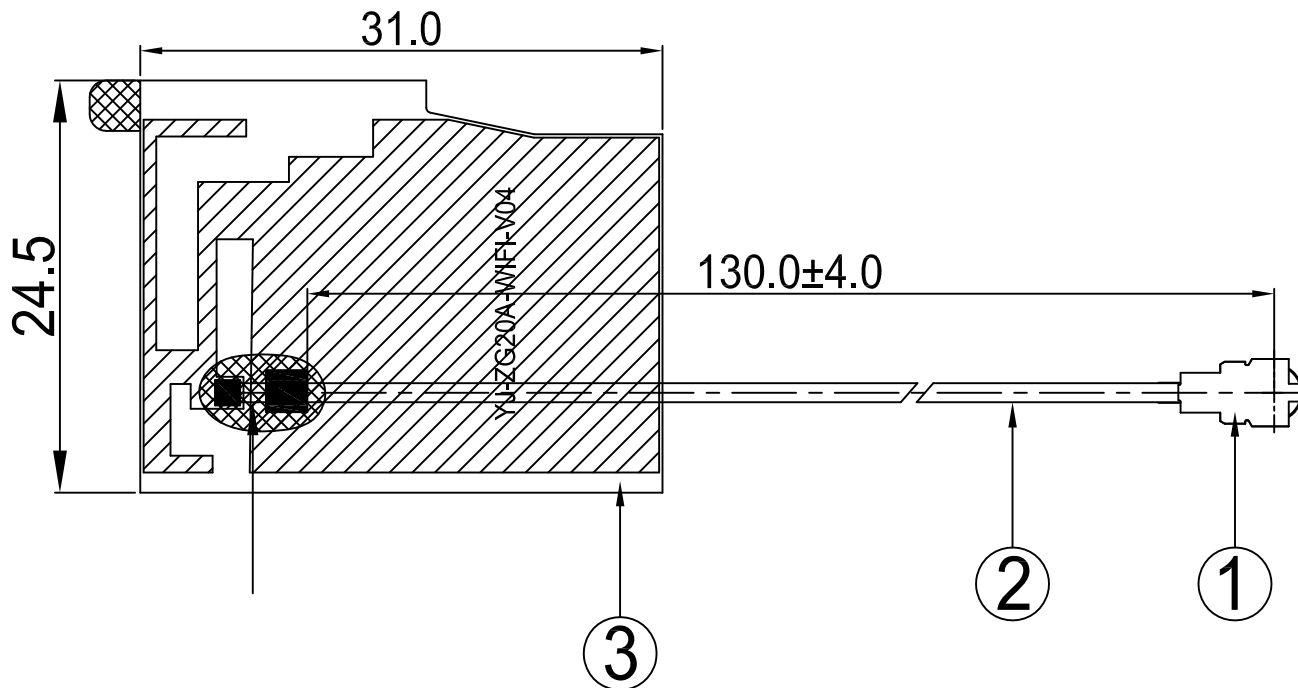
directory list

NO	(Contents)	(Number of Page)	(Page Code)
1	(Spec Cover)	1	1
2	(Spec Item)	1	2
3	(Drawing)	1	3
4	(Antenna Specification)	1	4
5	(S Parameter)	1	5
6	(Passive Test)	2	6 ~ 7
7	(Antenna Profile)	3	8 ~ 10
8	(Material Certificate)	34	11 ~ 44
9	(ROHS Test Report)	**	**
10	N/A	N/A	N/A
11	-	-	-
12	-	-	-
13	-	-	-

RoHS
Compatible

CUSTOMER
PART NO

REV.	DESCRIPTION	DATE
△A		2022-12-29
△B		2023-03-07
△C		2023-03-15
△D		2023-06-02



3	FPC	31.0*24.5mm	FPC	FPC11XXXA.P01	1
2	Coaxial Cable	O.D.1.13 Black	O.D.1.13	COA100XXA.P01	1
1	Mini Connector	Au Plated 1代	Cu	TER100XXA.P01	1
NO	PART NAME	DESCRIPTION	Material	Part Number	Q.TY



Dongguan YiJia Electronics Communication Technology Co.,Ltd. Tel :0769-82586086 Fax:0769-82586086

PART NAME: WIFI Antenna L=130mm MHF			
PART NO.: YJT01.220.016.301A			DATE: 2023-06-02
APPROVED BY	CHECKED BY	DESIGNED BY	 Tolerance X.X ±0.50 X.XX±0.15 X° ±3°
			UNITS: mm
			SCALE: 1/1
			REVISION: D



Antenna Specification

Electrical Properties

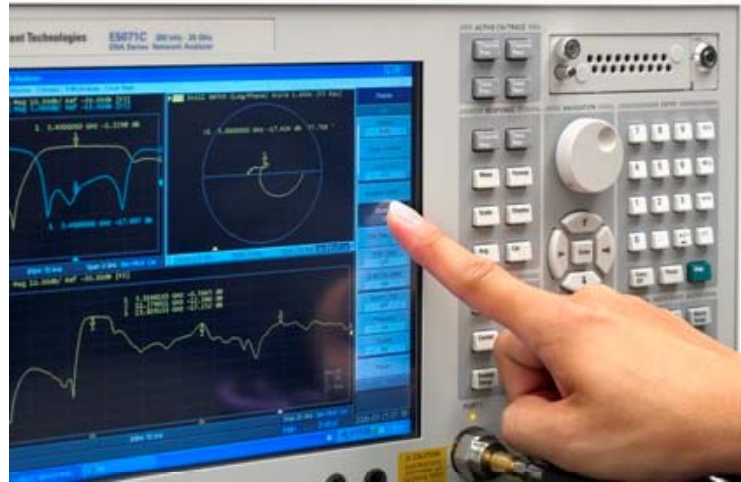
Frequency	2.4-2.5GHz 5.15-5.85GHz
Impedance	50 Ohm Nominal
V.S.W.R	2.0 Max
Gain	1.0 dBi@2.4-2.5GHz 0.9 dBi@5.15-5.85GHz
Radiation	Omni-directional
Polarization	Linear

Physical Properties

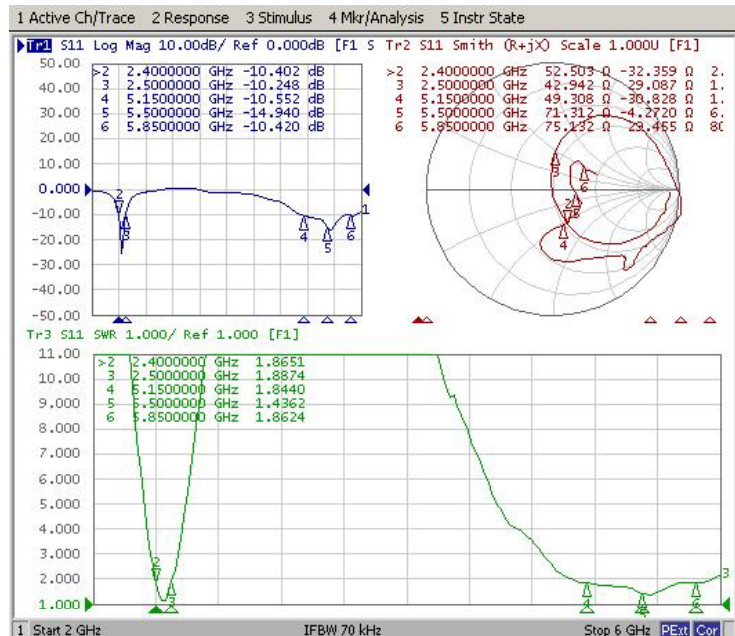
Connector	generation IPEX
Cable Type	O.D.1.13mm
Cable Length	130mm
Cable Color	Black
Operating Temp.	-40 ~ +85 °C
Storage Temp / Humidity	25±5°C / <70%



Agilent E5071B



S Parameter Test // WiFi Antenna





Passive Test For WiFi Antenna

Freq (MHz)	Effi (%)	Effi (dB)	Gain (dBi)
2400	30.5	-5.2	0.5
2410	30.9	-5.1	0.6
2420	32.3	-4.9	0.8
2430	34.3	-4.6	0.9
2440	34.6	-4.6	1.0
2450	35.5	-4.5	1.0
2460	35.0	-4.6	1.0
2470	34.3	-4.6	0.8
2480	32.8	-4.8	0.8
2490	32.0	-4.9	0.7
2500	30.8	-5.1	0.7



Passive Test For WiFi Antenna

Freq (MHz)	Effi (%)	Effi (dB)	Gain (dBi)
5150	23.2	-6.3	0.6
5200	24.2	-6.2	0.7
5250	22.5	-6.5	0.5
5300	22.0	-6.6	0.6
5350	21.6	-6.7	0.8
5400	24.8	-6.1	0.9
5450	25.6	-5.9	0.9
5500	24.7	-6.1	0.8
5550	25.1	-6.0	0.8
5600	25.8	-5.9	0.8
5650	24.2	-6.2	0.8
5700	23.7	-6.3	0.6
5750	23.4	-6.3	0.6
5800	23.0	-6.4	0.5
5850	22.4	-6.5	0.5



Device





***WiFi
Antenna***





WiFi天线