



东莞市一佳电子通讯科技有限公司

Dongguan YiJia Electronics Communication Technology Co.,Ltd.

规格承认书

SPECIFICATION FOR APPROVAL

日期 Date 2023/03/13

编号 File No 23031301

版本 Revision 1.0

客户
CUSTOMER:

Wuhan Guide Sensmart Tech Co., Ltd

客户料号
CUSTOMER NO:

ZG18

品名
PART NAME:

WIFI Antenna L=65mm MHF

供方料号
SUPPLIER NO:

YJT01.220.015.302A

送样日期Date:

送样数量Q “TY:

客户确认CUSTOMER APPROVED BY

APPROVAL

CHIEF

SUPERVISOR

供方确认 SUPPLIER SIGNATURE

APPROVAL

CHECK

DESIGN

ChenGuoqiang

XieLi

ChenXingyi

YJ-RD-F04-A

add: 东莞市长安镇沙头社区木鱼路59号元富工业区 Tel:0769-82586086 Fax:0769-82586086



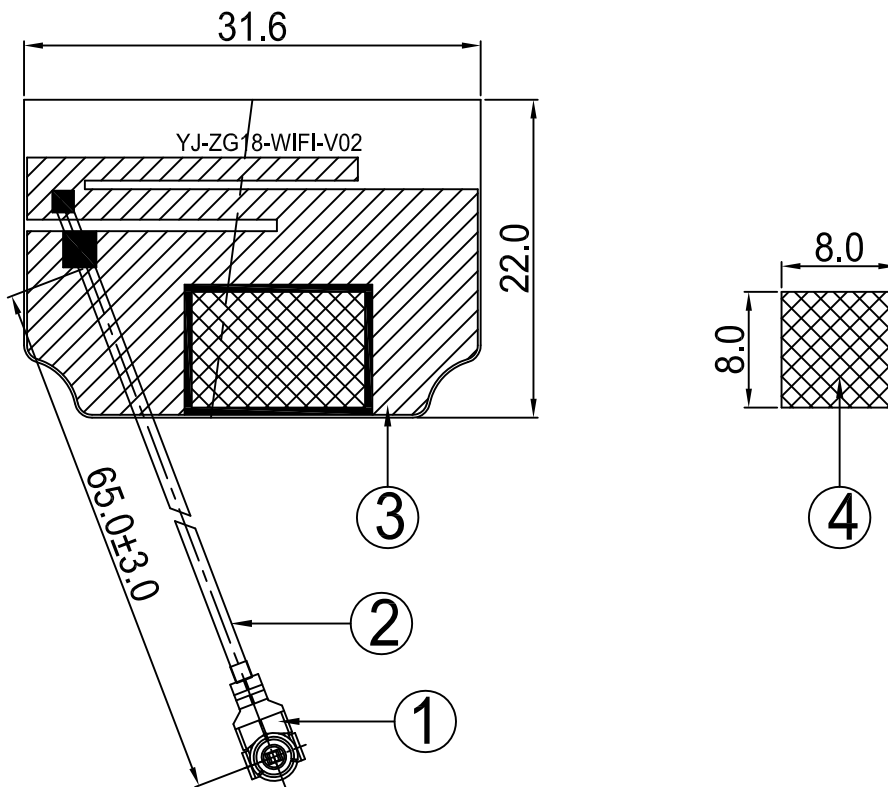
承认书项目表

NO	内容 (Contents)	页数 (Number of Page)	页码 (Page Code)
1	承认书封面 (Spec Cover)	1	1
2	承认书项目表 (Spec Item)	1	2
3	工程成品图 (Drawing)	1	3
4	天线规格 (Antenna Specification)	1	4
5	S参数测试 (S Parameter)	1	5
6	无源测试 (Passive Test)	2	6 ~ 7
7	方向图 (Radiation Pattern)	1	8
8	天线装配图 (Antenna Profile)	3	9 ~ 11
9	材质证明 (Material Certificate)	33	12 ~ 44
10	RoHS报告 (RoHS Test Report)	**	**
11	N/A	N/A	N/A
12	-	-	-
13	-	-	-

RoHS
Compatible

CUSTOMER	
PART NO	

REV.	DESCRIPTION	DATE
△	首次发行	2023-01-07
△	修改FPC,添加导电泡棉	2023-03-07



4	EMI Gasket	12.0*8.0*T8.0mm	EMI Gasket	EVA10313A.P01	1
3	FPC	31.6*22.0mm	FPC	FPC11XXXA.P01	1
2	Coaxial Cable	O.D.1.13 Black	O.D.1.13	COA100XXA.P01	1
1	Mini Connector	Au Plated 1代	Cu	TER100XXA.P01	1
NO	PART NAME	DESCRIPTION	Material	Part Number	Q.TY



东莞市一佳电子通讯科技有限公司

Dongguan YiJia Electronics Communication Technology Co.,Ltd. Tel :0769-82586086 Fax:0769-82586086

PART NAME: WIFI Antenna L=65mm MHF

PART NO.: YJT01.220.015.302A

DATE: 2023-03-07

APPROVED BY

CHECKED BY

DESIGNED BY



Tolerance

陆明兰

唐明亮

廖光喜

UNITS: mm

SCALE: 1/1

REVISION: B

X.X ±0.50

X.XX±0.15

X° ±3°



天线规格

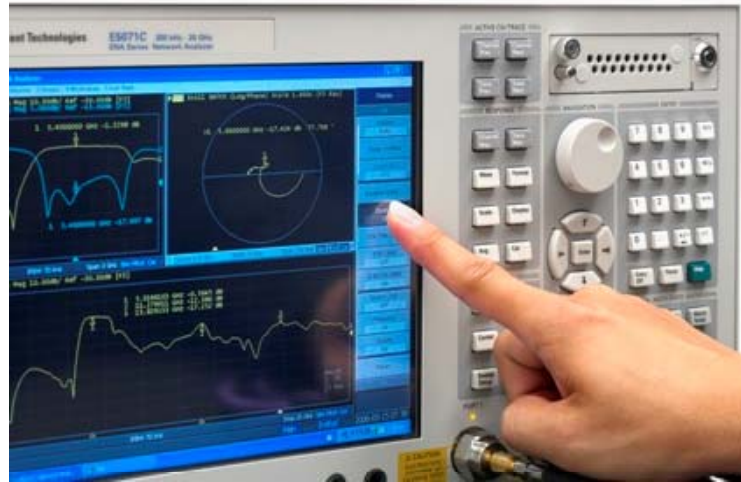
Antenna Specification

Electrical Properties	
Frequency	2.4-2.5GHz
Impedance	50 Ohm Nominal
V.S.W.R	2.5 Max
Gain	0.0 dBi
Radiation	Omni-directional
Polarization	Linear
Physical Properties	
Connector	1代IPEX
Cable Type	O.D.1.13mm
Cable Length	65mm
Cable Color	Black
Operating Temp.	-40 ~ +85 °C
Storage Temp / Humidity	25 ± 5°C / <70%

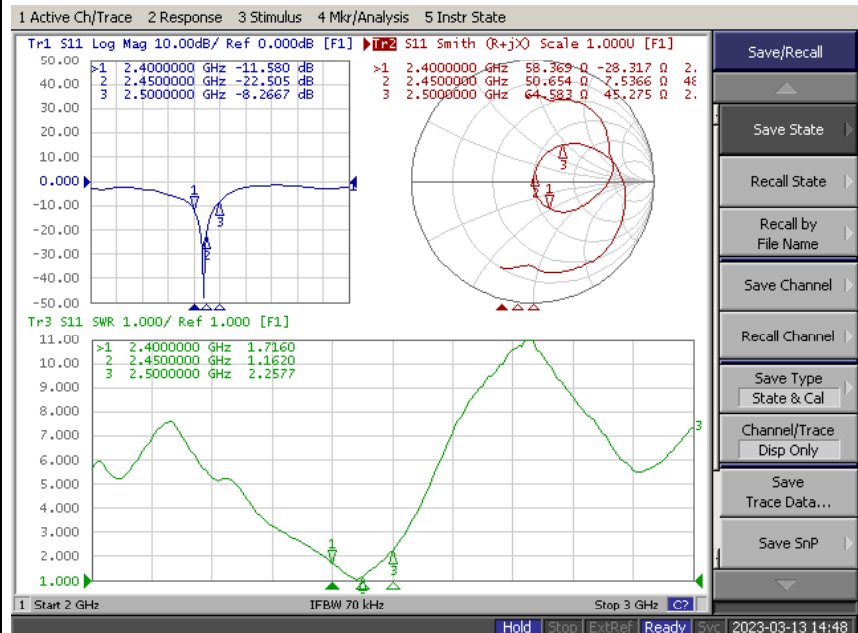


Antenna Performance Test

**Agilent
E5071B**

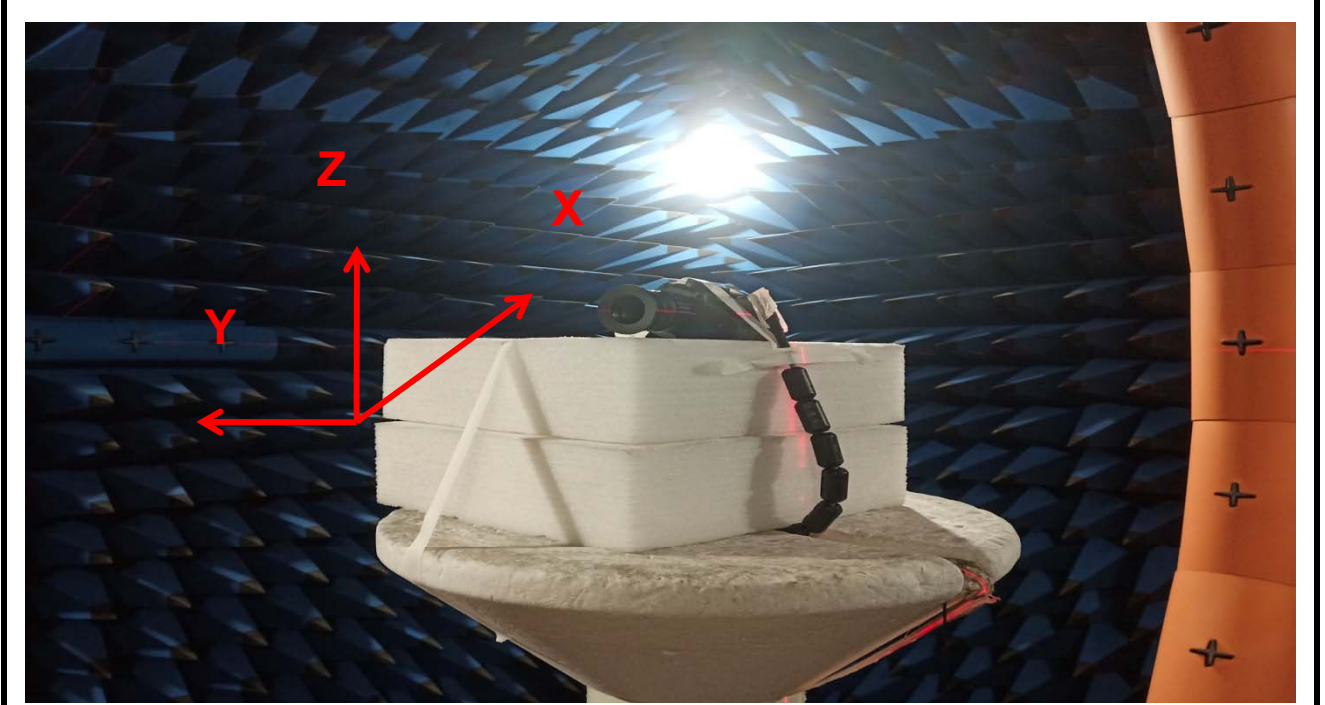
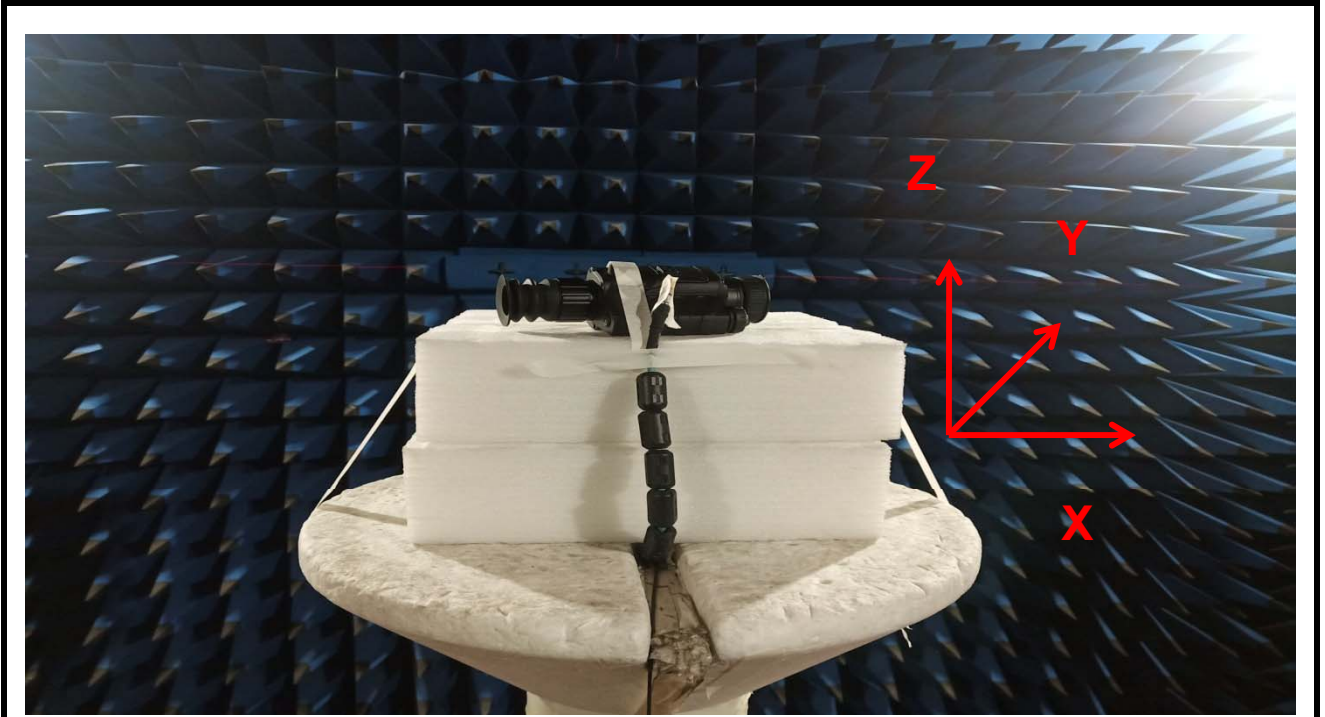


**S
Parameter
Test //
Antenna**





Antenna Passive Test



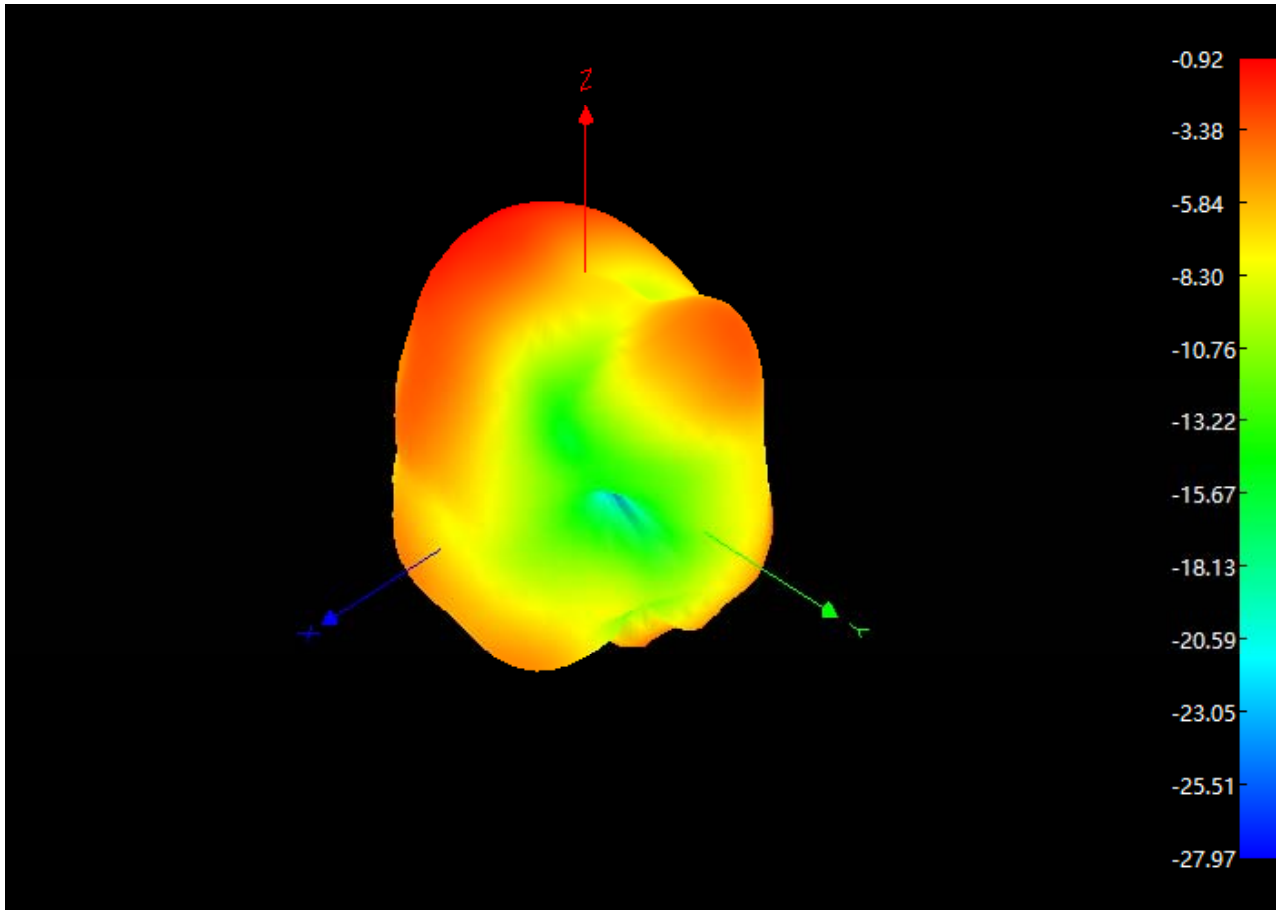


Passive Test For WiFi Antenna(2.4G)

Freq (MHz)	Effi (%)	Effi (dB)	Gain (dBi)
2400	20.6	-6.9	-0.6
2410	20.1	-7.0	-0.8
2420	20.0	-7.0	-1.1
2430	20.9	-6.8	-1.1
2440	21.3	-6.7	-1.3
2450	22.4	-6.5	-0.9
2460	22.9	-6.4	-0.5
2470	24.4	-6.1	-0.2
2480	23.7	-6.3	-0.1
2490	24.0	-6.2	0.0
2500	23.1	-6.4	0.0



Radiation Pattern For WiFi Antenna(2450MHz)





Device





Antenna





WiFi Antenna

