



# Dongguan YiJia Electronics Communication Technology Co.,Ltd.

## SPECIFICATION FOR APPROVAL

Date 2023/06/30  
File No 23063001  
Revision 1.0

CUSTOMER: Wuhan Guide Sensmart Tech Co., Ltd


CUSTOMER NO: ZC17A

PART NAME: WIFI Antenna L=110mm MHF

SUPPLIER NO: YJT01.220.019.301A

Date:

CUSTOMER APPROVED BY		
APPROVAL	CHIEF	SUPERVISOR

SUPPLIER SIGNATURE		
APPROVAL	CHECK	DESIGN
 ChenGuoqiang	XieLi	LiaoGuangxi

YJ-RD-F04-A



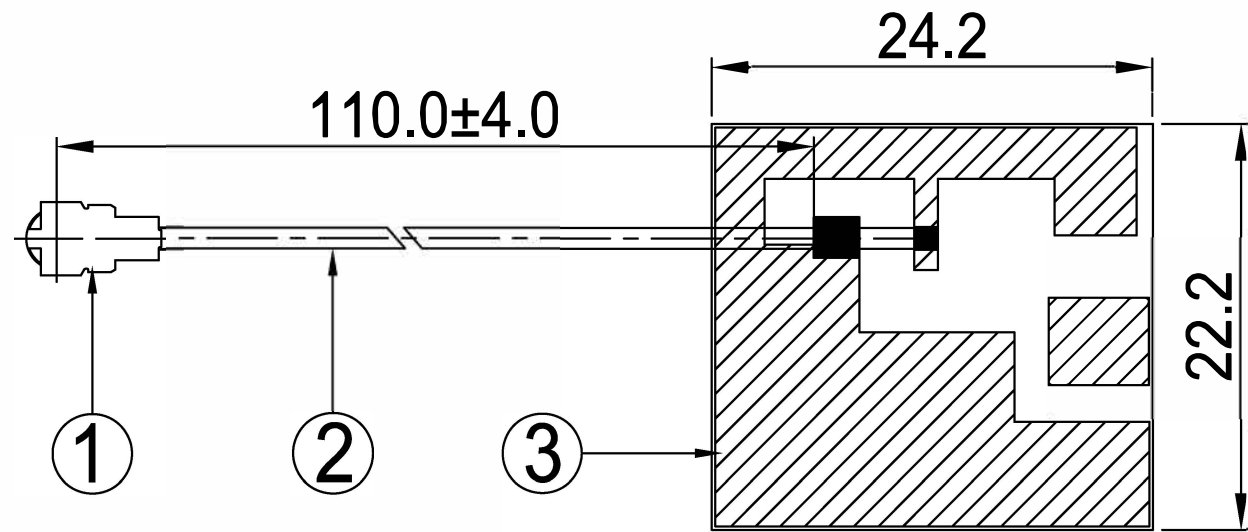
# Admission book item table

NO	Contents	Number of Page	PageCode
1	Spec Cover)	1	1
2	Spec Item	1	2
3	Drawing	1	3
4	Antenna Specification	1	4
5	S Parameter	1	5
6	Passive Test	1	6
7	Radiation Pattern	1	7
8	-	-	-
9	-	-	-
10	-	-	-
11	-	-	-
12	-	-	-
13	-	-	-

**RoHS**  
Compatible

CUSTOMER	
PART NO	

REV.	DESCRIPTION	DATE
△	initial issue	2023-04-18



**Notes:**

**1.0 Electrical:**

- 1.1 Frequency : 2400~2500MHz
- 1.2 Impedance : 50 Ohm Nominal
- 1.3 V.S.W.R: ≤2.0
- 1.4 Gain : 3.4dB
- 1.5 Radiation : Omni-directional
- 1.6 Polarization : Linear



**2.0 Enviromental:**

2.1 Storage Temperature Range : -40 To +85°C

2.2 Operating Temperature Range : -40 To +85°C

3.0 All material must meet ROHS Request.

3	FPC	24.2*22.2mm	FPC	FPC10510A.P01	1
2	Coaxial Cable	O.D.1.13 Black	O.D.1.13	COA100XXA.P01	1
1	Mini Connector	Au Plated	Cu	TER100XXA.P01	1
NO	PART NAME	DESCRIPTION	Material	Part Number	Q.TY

 Dongguan YiJia Electronics Communication Technology Co.,Ltd.			
Fax:0769-82586086 PART NAME: WIFI Antenna L=110mm MHF			
PART NO.: YJT01.220.019.301A DATE: 2023-04-18			
APPROVED BY	CHECKED BY	DESIGNED BY	 Tolerance X.X ±0.50 X.XX±0.15 X° ±3°
			UNITS: mm SCALE: 1/1 REVISION: A



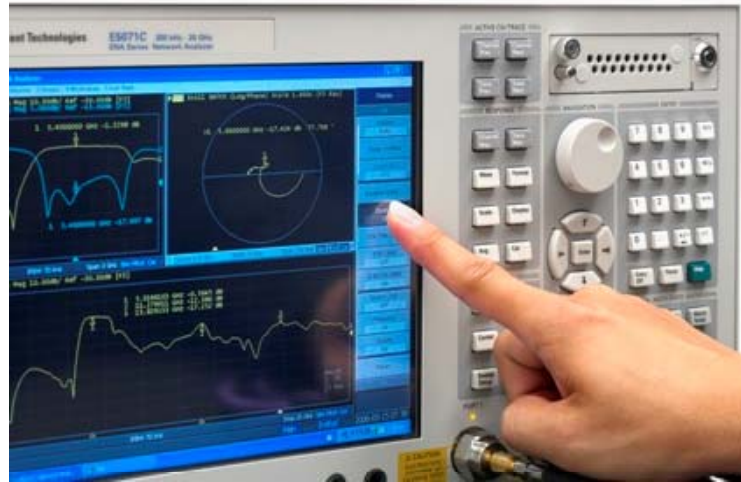
# Antenna Specification

<b>Electrical Properties</b>	
Frequency	2.4-2.5GHz
Impedance	50 Ohm Nominal
V.S.W.R	2.0 Max
Gain	3.4 dBi
Radiation	Omni-directional
Polarization	Linear
<b>Physical Properties</b>	
Connector	First generation IPEX
Cable Type	O.D.1.13mm
Cable Length	110mm
Cable Color	Black
Operating Temp.	-40 ~ +85 °C
Storage Temp / Humidity	25±5°C / <70%

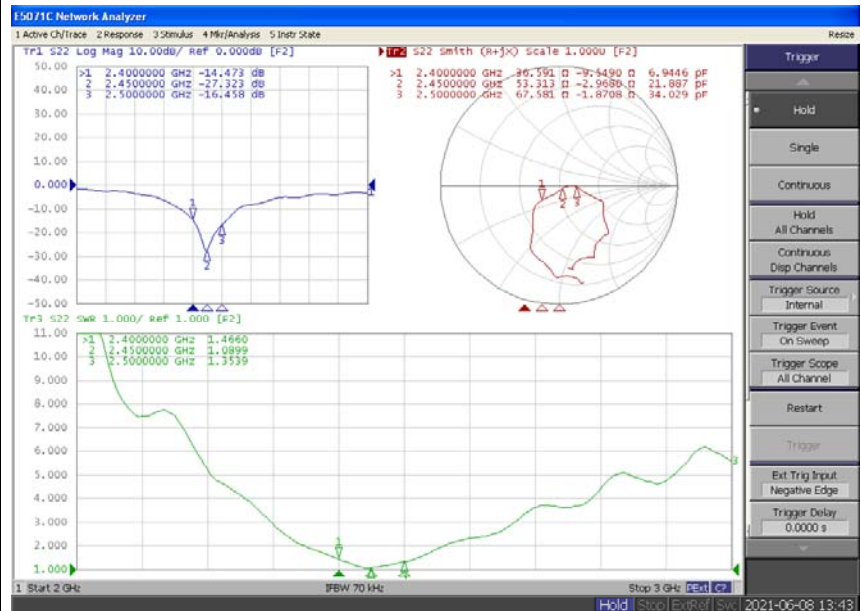


# Antenna Performance Test

**Agilent  
E5071B**



**S  
Parameter  
Test //  
WiFi  
Antenna**





## *Antenna Passive Test*

Passive Test For WiFi Antenna			
Freq (MHz)	Effi (%)	Effi (dB)	Gain (dBi)
2400	54.9	-2.6	2.3
2410	54.9	-2.6	2.4
2420	55.1	-2.6	2.6
2430	57.6	-2.4	2.7
2440	57.8	-2.4	2.7
2450	58.2	-2.4	3.4
2460	54.2	-2.7	3.2
2470	53.9	-2.7	3.0
2480	53.8	-2.7	2.8
2490	53.6	-2.7	2.7
2500	53.5	-2.7	2.6



## Radiation Pattern For WiFi Antenna(2450MHz)

