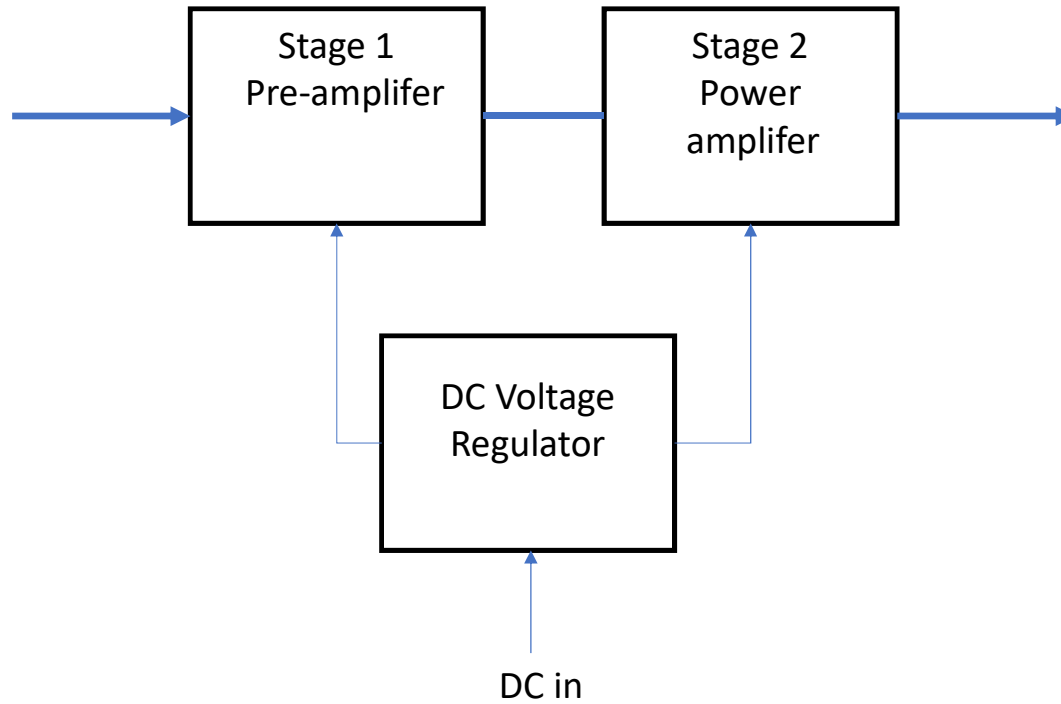


BLOCK DIAGRAM  
Model SAFE-1001



Note: There are no internal oscillators or clock frequencies in the SAFE-1001 amplifier

