

# TEST REPORT

**FCC ID: 2AKSAMOVIC-DUAL**

**Product: Dual**

**Model No.: Dual**

**Additional Model No.: ED1, ED2, ED3, M1, M2, M3, M4**

**Trade Mark: MOVIC、XBO**

**Report No.: TCT170602E022**

**Issued Date: Jun. 16, 2017**

Issued for:

**Shenzhen YLWD Technology Co., Ltd**

**RM1002.A.Haisong BLD.RDTairan.FuTian District Shenzhen, China**

Issued By:

**Shenzhen Tongce Testing Lab.**

**1F, Leinuo Watch Building, Fuyong Town, Baoan Dist, Shenzhen, China**

**TEL: +86-755-27673339**

**FAX: +86-755-27673332**

**Note:** This report shall not be reproduced except in full, without the written approval of Shenzhen Tongce Testing Lab.

This document may be altered or revised by Shenzhen Tongce Testing Lab. personnel only, and shall be noted in the revision section of the document. The test results in the report only apply to the tested sample.

**TABLE OF CONTENTS**

<b>1. Test Certification.....</b>	<b>3</b>
<b>2. Test Result Summary .....</b>	<b>3</b>
<b>3. EUT Description .....</b>	<b>5</b>
<b>4. Genera Information.....</b>	<b>7</b>
4.1. Test environment and mode.....	7
4.2. Test Mode.....	10
4.3. Description of Support Units.....	11
4.4. Configuration of Tested System .....	12
4.5. Measurement Results Explanation Example.....	12
<b>5. Facilities and Accreditations .....</b>	<b>13</b>
5.1. Facilities .....	13
5.2. Location .....	13
5.3. Measurement Uncertainty.....	13
<b>6. Test Results and Measurement Data .....</b>	<b>14</b>
6.1. Conducted Output Power Measurement .....	14
6.2. Peak to Average Ratio.....	15
6.3. Band Edge and Conducted Spurious Emission Measurement .....	17
6.4. Field Strength of Spurious Radiation Measurement .....	18
6.5. Frequency Stability Measurement .....	20
<b>Appendix A: Photographs of Test Setup</b>	
<b>Appendix B: Photographs of EUT</b>	
<b>Test Data: Refer to Appendix For Band 2, Appendix For Band 4</b>	

## 1. Test Certification

<b>Product:</b>	Dual
<b>Model No.:</b>	Dual
<b>Additional Model:</b>	ED1, ED2, ED3, M1, M2, M3, M4
<b>Trade Mark:</b>	<b>MOVIC、XBO</b>
<b>Applicant:</b>	Shenzhen YLWD Technology Co., Ltd
<b>Address:</b>	RM1002.A.Haisong BLD.RDTairan.FuTian District Shenzhen, China
<b>Manufacturer:</b>	Shenzhen YLWD Technology Co., Ltd
<b>Address:</b>	RM1002.A.Haisong BLD.RDTairan.FuTian District Shenzhen, China
<b>Date of Test:</b>	Jun. 03, 2017 – Jun. 14, 2017
<b>Applicable Standards:</b>	FCC CFR Title 47 Part 2 FCC CFR Title 47 Part24 FCC CFR Title 47 Part27

The above equipment has been tested by Shenzhen Tongce Testing Lab. and found compliance with the requirements set forth in the technical standards mentioned above. The results of testing in this report apply only to the product/system, which was tested. Other similar equipment will not necessarily produce the same results due to production tolerance and measurement uncertainties.

**Tested By:**

*Garen*

**Date:**

**Jun. 14, 2017**

Garen

**Reviewed By:**

*Joe Zhou*

**Date:**

**Jun. 16, 2017**

Joe Zhou

**Approved By:**

*Tomsin*

**Date:**

**Jun. 16, 2017**

Tomsin



## 2. Test Result Summary

Requirement	CFR 47 Section	Result
Conducted Output Power	§2.1046; §24.232(c); §27.50(h);	PASS
Peak-to-Average Ratio	§24.232(d);	PASS
Effective Radiated Power	§2.1046; §27.50(d)(4);	PASS
Equivalent Isotropic Radiated Power	§2.1046; §27.50(d);	PASS
Occupied Bandwidth	§2.1049; §24.238(b); §27.53(h)(3); §27.53(m)(6);	PASS
Band Edge	§2.1051; §27.53(g); §27.53(g); §24.238(a);	PASS
Conducted Spurious Emission	§2.1051; §27.53(h); §24.238(a);	PASS
Field Strength of Spurious Radiation	§2.1053; §27.53(g) ; §27.53(h); §24.238(a);	PASS
Frequency Stability for Temperature & Voltage	§2.1055; §27.54; §24.235;	PASS

**Note:**

1. PASS: Test item meets the requirement.
2. Fail: Test item does not meet the requirement.
3. N/A: Test case does not apply to the test object.
4. The test result judgment is decided by the limit of test standard.

### 3. EUT Description

<b>Product:</b>	Dual
<b>Model No.:</b>	Dual
<b>Additional Model:</b>	ED1, ED2, ED3, M1, M2, M3, M4
<b>Trade Mark:</b>	<b>MOVIC、XBO</b>
<b>Tx Frequency:</b>	LTE Band 2: 1850.7 MHz ~ 1909.3 MHz LTE Band 4: 1710.7 MHz ~ 1754.3 MHz
<b>Rx Frequency:</b>	LTE Band 2: 1930.7 MHz ~ 1989.3 MHz LTE Band 4: 2110.7 MHz ~ 2154.3 MHz
<b>Bandwidth:</b>	LTE Band 2: 1.4MHz /3MHz /5MHz /10MHz /15MHz / 20MHz LTE Band 4: 1.4MHz /3MHz /5MHz /10MHz /15MHz / 20MHz
<b>Maximum Output Power to Antenna:</b>	LTE Band 2: 24.97dBm LTE Band 4: 24.96dBm
<b>99% Occupied Bandwidth:</b>	LTE Band 2: 17M9W7D LTE Band 4: 17M9W7D
<b>Type of Modulation:</b>	QPSK / 16QAM
<b>Antenna Type:</b>	PIFA Antenna
<b>Antenna Gain:</b>	-2dBi
<b>Power Supply:</b>	Rechargeable Li-ion Battery DC3.8V
<b>Adapter:</b>	Adapter Information: Input: AC 100-240V, 50/60Hz, 0.2A Output: DC 5.0V, 1000mA
<b>Remark:</b>	All models above are identical in interior structure, electrical circuits and components, and just model names and trademark are different for the marketing requirement.

### Emission Designator

LTE Band 2		QPSK		16QAM	
BW(MHz)	Emission Designator (99%OBW)	Maximum EIRP(W)	Emission Designator (99%OBW)	Maximum EIRP(W)	
1.4	1M08G7D	0.1862	1M081W7D	0.1528	
3	2M68G7D	0.1742	2M69W7D	0.1469	
5	4M48G7D	0.1766	4M48W7D	0.1774	
10	8M93G7D	0.1936	8M93W7D	0.1466	
15	13M40G7D	0.1730	13M41W7D	0.1455	
20	17M90G7D	0.1982	17M90W7D	0.1459	
LTE Band 4		QPSK		16QAM	
BW(MHz)	Emission Designator (99%OBW)	Maximum EIRP(W)	Emission Designator (99%OBW)	Maximum EIRP(W)	
1.4	1M08G7D	0.1644	1M08W7D	0.1306	
3	2M69G7D	0.1811	2M69W7D	0.1469	
5	4M49G7D	0.1679	4M49W7D	0.1702	
10	8M93G7D	0.1782	8M94W7D	0.1426	
15	13M42G7D	0.1652	13M40W7D	0.1422	
20	17M89G7D	0.1845	17M89W7D	0.1422	

## 4. Genera Information

### 4.1. Test environment and mode

Operating Environment:	
Temperature:	24.0 °C
Humidity:	54 % RH
Atmospheric Pressure:	1010 mbar
Test Mode:	
Operation mode:	Keep the EUT in continuous transmitting with modulation
<p>The sample was placed 0.8m above the ground plane of 3m chamber. Measurements in both horizontal and vertical polarities were performed. During the test, each emission was maximized by: having the EUT continuously working, investigated all operating modes, rotated about all 3 axis (X, Y &amp; Z) and considered typical configuration to obtain worst position, manipulating interconnecting cables, rotating the turntable, varying antenna height from 1m to 4m in both horizontal and vertical polarizations. The emissions worst-case are shown in Test Results of the following pages.</p>	

**Description Operation Frequency**

LTE Band 2(1.4MHz)		LTE Band 2(3MHz)	
Channel	Frequency (MHz)	Channel	Frequency (MHz)
18607	1850.7	18615	1851.5
18608	1850.8	18616	1851.6
....	....	....	....
18899	1879.9	18899	1879.9
18900	1880.0	18900	1880.0
18901	1880.1	18901	1880.1
...	...	...	...
19192	1909.2	19184	1908.4
19193	1909.3	19185	1908.5
LTE Band 2(5MHz)		LTE Band 2(10MHz)	
Channel	Frequency (MHz)	Channel	Frequency (MHz)
18625	1852.5	18650	1855.0
18626	1852.6	18651	1855.1
....	....	....	....
18899	1879.9	18899	1879.9
18900	1880.0	18900	1880.0
18901	1880.1	18901	1880.1
...	...	...	...
19174	1907.4	19149	1904.9
19175	1907.5	19150	1905.0
LTE Band 2(15MHz)		LTE Band 2(20MHz)	
Channel	Frequency (MHz)	Channel	Frequency (MHz)
18675	1857.5	18700	1860.0
18676	1857.6	18701	1860.1
....	....	....	....
18899	1879.9	18899	1879.9
18900	1880.0	18900	1880.0
18901	1880.1	18901	1880.1
...	...	...	...
19124	1902.4	19099	1899.9
19125	1902.5	19100	1900.0



LTE Band 4(1.4MHz)		LTE Band 4(3MHz)	
Channel	Frequency (MHz)	Channel	Frequency (MHz)
19957	1710.70	19965	1711.50
19958	1710.80	19966	1711.60
....	....	....	....
20174	1732.40	20174	1732.40
20175	1732.50	20175	1732.50
20176	1732.60	20176	1732.60
...	...	...	...
20392	1754.20	20384	1753.40
20393	1754.30	20385	1753.50
LTE Band 4(5MHz)		LTE Band 4(10MHz)	
Channel	Frequency (MHz)	Channel	Frequency (MHz)
19975	1712.50	20000	1715.00
19976	1712.60	20001	1715.10
....	....	....	....
20174	1732.40	20174	1732.40
20175	1732.50	20175	1732.50
20176	1732.60	20176	1732.60
...	...	...	...
20374	1752.40	20349	1749.90
20375	1752.50	20350	1750.00
LTE Band 4(15MHz)		LTE Band 4(20MHz)	
Channel	Frequency (MHz)	Channel	Frequency (MHz)
20025	1717.50	20050	1720.00
20026	1717.60	20051	1720.10
....	....	....	....
20174	1732.40	20174	1732.40
20175	1732.50	20175	1732.50
20176	1732.60	20176	1732.60
...	...	...	...
20324	1747.40	20299	1744.90
20325	1747.50	20300	1745.00

## 4.2. Test Mode

All modes and data rates and positions were investigated.

Test modes are chosen to be reported as the worst case configuration below:

Test Mode		
Band	Radiated TCs	Conducted TCs
LTE Band 2	QPSK Link (1.4MHz / 3MHz / 5MHz / 10MHz / 15MHz / 20MHz)	16QAM Link (1.4MHz / 3MHz / 5MHz / 10MHz / 15MHz / 20MHz)
LTE Band 4	QPSK Link (1.4MHz / 3MHz / 5MHz / 10MHz / 15MHz / 20MHz)	16QAM Link (1.4MHz / 3MHz / 5MHz / 10MHz / 15MHz / 20MHz)

Antenna port conducted and radiated test items were performed according to KDB 971168 D02 Power Meas. License Digital Systems v02r02 with maximum output power. Radiated measurements were performed with rotating EUT in different three orthogonal test planes to find the maximum emission.

Test Items	Band	Bandwidth (MHz)						Modulation		RB #			Test Channel			
		1.4	3	5	10	15	20	QPSK	16QAM	1	Half	Full	L	M	H	
Max. Output	2	v	v	v	v	v	v	v	v	v	v	v	v	v	v	v
	4	v	v	v	v	v	v	v	v	v	v	v	v	v	v	v
Peak-to-Average	2	v	v	v	v	v	v	v	v	v	v	v	v	v	v	v
	4	v	v	v	v	v	v	v	v	v	v	v	v	v	v	v
26dB and 99% Bandwidth	2	v	v	v	v	v	v	v	v			v	v	v	v	v
	4	v	v	v	v	v	v	v	v			v	v	v	v	v

Test Items	Band	Bandwidth (MHz)						Modulation		RB #			Test Channel		
		1.4	3	5	10	15	20	QPSK	16QAM	1	Half	Full	L	M	H
Conducted	2	v	v	v	v	v	v	v	v	v		v	v		v
	4	v	v	v	v	v	v	v	v	v		v	v		v
Conducted Spurious	2	v	v	v	v	v	v	v	v	v			v	v	v
	4	v	v	v	v	v	v	v	v	v			v	v	v
Frequency	2				v			v	v			v		v	
	4				v			v	v			v		v	
E.R.P./ E.I.R.P.	2	v	v	v	v	v	v	v	v	v	v	v	v	v	v
	4	v	v	v	v	v	v	v	v	v	v	v	v	v	v
Radiated Spurious	2	v						v	v	v			v	v	v
	4	v						v	v	v			v	v	v
Note	1. The mark "v" means that this configuration is chosen for testing 2. The mark "-" means that this bandwidth is not supported.														

### 4.3. Description of Support Units

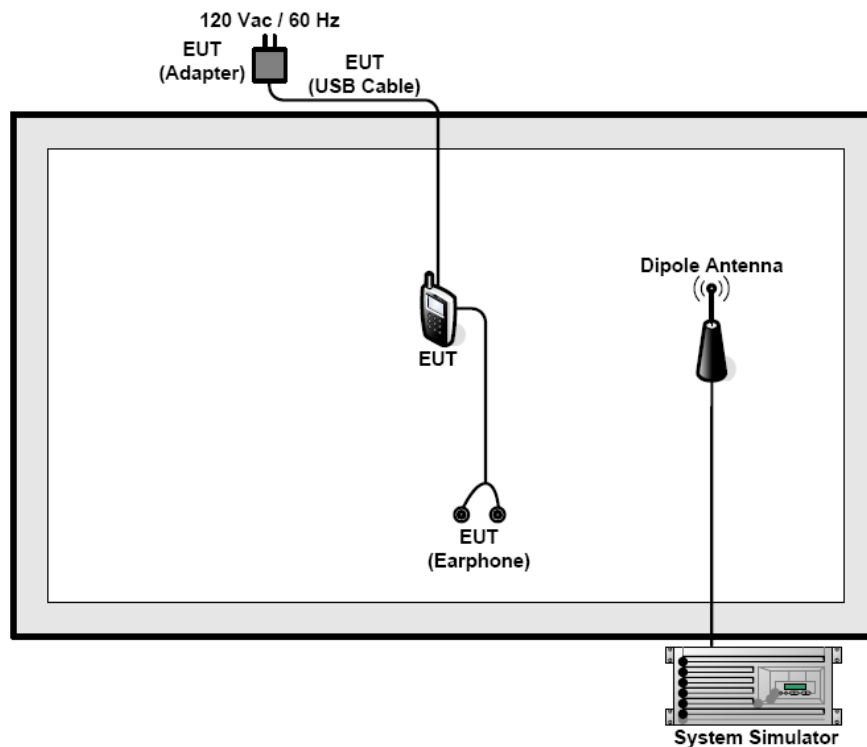
The EUT has been tested as an independent unit together with other necessary accessories or support units. The following support units or accessories were used to form a representative test configuration during the tests.

Equipment	Model No.	Serial No.	FCC ID	Trade Name

**Note:**

1. All the equipment/cables were placed in the worst-case configuration to maximize the emission during the test.
2. Grounding was established in accordance with the manufacturer's requirements and conditions for the intended use.

#### 4.4. Configuration of Tested System



#### 4.5. Measurement Results Explanation Example

**For all conducted test items:**

The offset level is set in the spectrum analyzer to compensate the RF cable loss and attenuator factor between RF conducted output port and spectrum analyzer. With the offset compensation, the spectrum analyzer reading level will be exactly the RF output level. The spectrum analyzer offset is derived from RF cable loss and attenuator factor.  
*Offset = RF cable loss + attenuator factor.*

## 5. Facilities and Accreditations

### 5.1. Facilities

The test facility is recognized, certified, or accredited by the following organizations:

- FCC - Registration No.: 572331

#### **Shenzhen Tongce Testing Lab.**

The 3m Semi-anechoic chamber has been registered and fully described in a report with the (FCC) Federal Communications Commission. The acceptance letter from the FCC is maintained in our files.

- IC - Registration No.: 10668A-1

The 3m Semi-anechoic chamber of Shenzhen TCT Testing Technology Co., Ltd. has been registered by Certification and Engineering Bureau of Industry Canada for radio equipment testing

### 5.2. Location

Shenzhen Tongce Testing Lab

Address: 1F, Leinuo Watch Building, Fuyong Town, Baoan Dist, Shenzhen, China

TEL: +86-755-27673339

### 5.3. Measurement Uncertainty

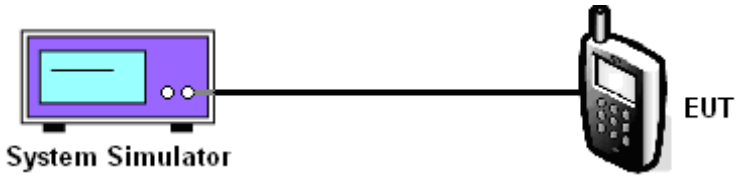
The reported uncertainty of measurement  $y \pm U$ , where expanded uncertainty  $U$  is based on a standard uncertainty multiplied by a coverage factor of  $k=2$ , providing a level of confidence of approximately 95 %.

No.	Item	MU
1	Conducted Emission	$\pm 2.56\text{dB}$
2	RF power, conducted	$\pm 0.12\text{dB}$
3	Spurious emissions, conducted	$\pm 0.11\text{dB}$
4	All emissions, radiated(<1G)	$\pm 3.92\text{dB}$
5	All emissions, radiated(>1G)	$\pm 4.28\text{dB}$
6	Temperature	$\pm 0.1^\circ\text{C}$
7	Humidity	$\pm 1.0\%$

## 6. Test Results and Measurement Data

### 6.1. Conducted Output Power Measurement

#### 6.1.1. Test Specification

<b>Test Requirement:</b>	FCC part 27.50(c), FCC part 27.50(d) and FCC part 27.50(h), FCC part 24.232(c),
<b>Test Method:</b>	FCC part 2.1046
<b>Limits:</b>	LTE Band 2: 2W LTE Band 4: 1W
<b>Test Setup:</b>	 <p>The diagram illustrates the test setup. On the left is a 'System Simulator' represented by a purple rectangular box with a screen and two indicator lights. A black cable connects the simulator to a mobile phone on the right, which is labeled 'EUT'.</p>
<b>Test Procedure:</b>	<ol style="list-style-type: none"> <li>1. The transmitter output port was connected to the system simulator.</li> <li>2. Set EUT at maximum power through system simulator.</li> <li>3. Select lowest, middle, highest channels for each band and different modulation.</li> <li>4. Measure and record the power level from the system simulator.</li> </ol>
<b>Test Result:</b>	PASS

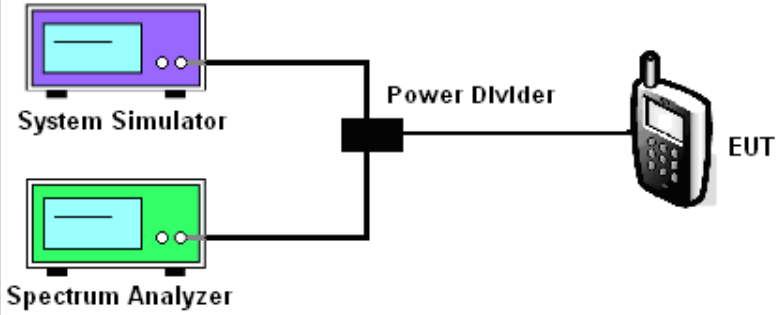
#### 6.1.2. Test Instruments

Equipment	Manufacturer	Model	Serial Number	Calibration Due
Wideband Radio Communication Tester	R&S	CMW500	114220	Aug. 11, 2017

**Note:** The calibration interval of the above test instruments is 12 months and the calibrations are traceable to international system unit (SI).

## 6.2. Peak to Average Ratio

### 6.2.1. Test Specification

<b>Test Requirement:</b>	FCC part 24.232(d)
<b>Test Method:</b>	FCC KDB 971168 v02r02
<b>Limit:</b>	The peak-to-average ratio (PAR) of the transmission may not exceed 13 dB.
<b>Test Setup:</b>	 <p>The diagram illustrates the test setup. A System Simulator (top left) and a Spectrum Analyzer (bottom left) are connected to a central Power Divider. The Power Divider is then connected to the EUT (Equipment Under Test) on the right.</p>
<b>Test Procedure:</b>	<ol style="list-style-type: none"> <li>1. The testing follows FCC KDB 971168 v02r02 Section 5.7.1.</li> <li>2. The EUT was connected to spectrum analyzer and system simulator via a power divider.</li> <li>3. Set EUT to transmit at maximum output power.</li> <li>4. Set the CCDF (Complementary Cumulative Distribution Function) option of the spectrum analyzer.</li> </ol> <p>Record the maximum PAPR level associated with a probability of 0.1%.</p>
<b>Test Result:</b>	PASS

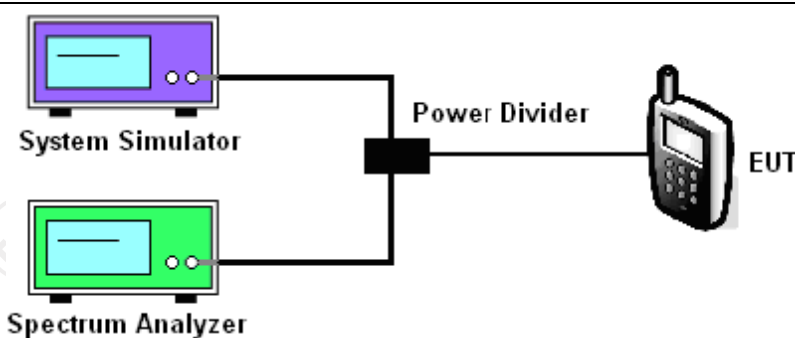
### 6.2.2. Test Instruments

Equipment	Manufacturer	Model	Serial Number	Calibration Due
Wideband Radio Communication Tester	R&S	CMW500	114220	Aug. 11, 2017
Spectrum Analyzer	Agilent	N9020A	MY49100060	Aug. 11, 2017

**Note:** The calibration interval of the above test instruments is 12 months and the calibrations are traceable to international system unit (SI).

**6.2.3. 99% Occupied Bandwidth and 26dB Bandwidth Measurement**

**6.2.4. Test Specification**

<b>Test Requirement:</b>	FCC part 27.53(h)(3) and FCC part 27.53(m)(6), FCC part 24.238(b)
<b>Test Method:</b>	FCC part 2.1049
<b>Limit:</b>	N/A
<b>Test Setup:</b>	 <p>The diagram illustrates the test setup. On the left, there are two computer monitors representing the 'System Simulator' (top) and 'Spectrum Analyzer' (bottom). Both are connected to a central 'Power Divider' block. From the Power Divider, a single line connects to a mobile phone icon labeled 'EUT' (Equipment Under Test).</p>
<b>Test Procedure:</b>	<ol style="list-style-type: none"> <li>1. The testing follows FCC KDB 971168 v02r02 Section 4.2.</li> <li>2. The EUT was connected to the spectrum analyzer and system simulator via a power divider.</li> <li>3. The RF output of the EUT was connected to the spectrum analyzer by RF cable and attenuator. The path loss was compensated to the results for each measurement.</li> <li>4. The 99% occupied bandwidth were measured, set RBW= 1% of OBW, VBW= 3*RBW, sample detector, trace maximum hold.</li> <li>5. The 26dB bandwidth were measured, set RBW= 1% of EBW, VBW= 3*RBW, peak detector, trace maximum hold.</li> </ol>
<b>Test Result:</b>	PASS

**6.2.5. Test Instruments**

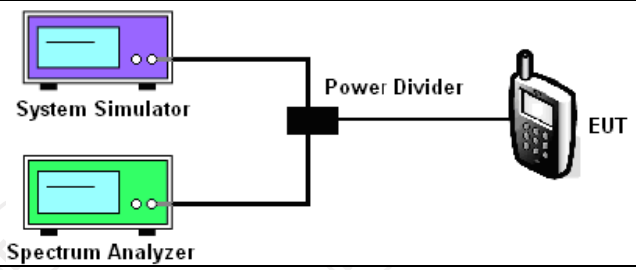
Equipment	Manufacturer	Model	Serial Number	Calibration Due
Wideband Radio Communication Tester	R&S	CMW500	114220	Aug. 11, 2017
Spectrum Analyzer	Agilent	N9020A	MY49100060	Aug. 11, 2017

**Note:** The calibration interval of the above test instruments is 12 months and the calibrations are traceable to international system unit (SI).



### 6.3. Band Edge and Conducted Spurious Emission Measurement

#### 6.3.1. Test Specification

<b>Test Requirement:</b>	FCC part 27.53(h), FCC part 27.53(g) , FCC part 27.53(m)(4), FCC part 24.238(a)
<b>Test Method:</b>	FCC part2.1051
<b>Limit:</b>	-13dBm
<b>Test Setup:</b>	 <p>The diagram illustrates the test setup. A System Simulator (top left) and a Spectrum Analyzer (bottom left) are connected to a central Power Divider. The Power Divider is also connected to the EUT (Equipment Under Test) on the right.</p>
<b>Test Procedure:</b>	<ol style="list-style-type: none"> <li>1. The testing follows FCC KDB 971168 v02r02 Section 6.0.</li> <li>2. The EUT was connected to the spectrum analyzer and system simulator via a power divider.</li> <li>3. The RF output of EUT was connected to the spectrum analyzer by an RF cable and attenuator. The path loss was compensated to the results for each measurement.</li> <li>4. The band edges of low and high channels for the highest RF powers were measured.</li> <li>5. The conducted spurious emission for the whole frequency range was taken.</li> <li>6. The RF fundamental frequency should be excluded against the limit line in the operating frequency band.</li> <li>7. The limit line is derived from <math>43 + 10\log(P)</math> dB below the transmitter power  <math>P(\text{Watts}) = P(\text{W}) - [43 + 10\log(P)] (\text{dB}) = [30 + 10\log(P)] (\text{dBm}) - [43 + 10\log(P)] (\text{dB}) = -13\text{dBm}</math>.                      For Band 17, the limit line is derived from <math>55 + 10\log(P)</math> dB below the transmitter power</li> </ol>
<b>Test Result:</b>	PASS

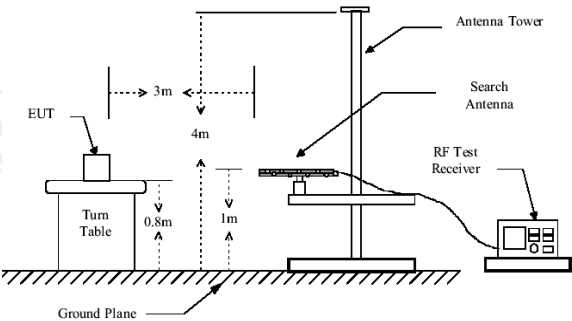
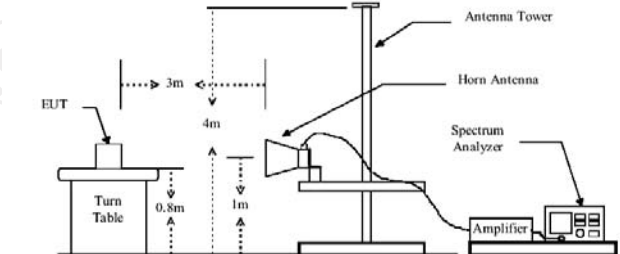
#### 6.3.2. Test Instruments

Equipment	Manufacturer	Model	Serial Number	Calibration Due
Wideband Radio Communication Tester	R&S	CMW500	114220	Aug. 11, 2017
Spectrum Analyzer	Agilent	N9020A	MY49100060	Aug. 11, 2017

**Note:** The calibration interval of the above test instruments is 12 months and the calibrations are traceable to international system unit (SI).

## 6.4. Field Strength of Spurious Radiation Measurement

### 6.4.1. Test Specification

<b>Test Requirement:</b>	FCC part 27.53(g) ,FCC part 27.53(h), FCC part 27.53(m)(4), FCC part 24.238(b)
<b>Test Method:</b>	FCC part 2.1053
<b>Limit:</b>	30MHz~20GHz -13dBm
<b>Test setup:</b>	<p>For 30MHz~1GHz</p>  <p>1GHz ~20GHz</p> 
<b>Test Procedure:</b>	<ol style="list-style-type: none"> <li>1. The testing follows FCC KDB 971168 v02r02 Section 5.8 and ANSI / TIA-603-D-2010Section 2.2.12.</li> <li>2. The EUT was placed on a rotatable wooden table 0.8 meters above the ground.</li> <li>3. The EUT was set 3 meters from the receiving antenna, which was mounted on the antenna tower.</li> <li>4. The table was rotated 360 degrees to determine the position of the highest spurious emission.</li> <li>5. The height of the receiving antenna is varied between one meter and four meters to search for the maximum spurious emission for both horizontal and vertical polarizations.</li> <li>6. Make the measurement with the spectrum analyzer's RBW = 1MHz, VBW = 3MHz, taking record of maximum spurious emission.</li> <li>7. A horn antenna was substituted in place of the EUT and was driven by a signal generator.</li> <li>8. Tune the output power of signal generator to the</li> </ol>

	<p>same emission level with EUT maximum spurious emission.</p> <p>9. Taking the record of output power at antenna port.</p> <p>10. Repeat step 7 to step 8 for another polarization.</p> <p>11. EIRP (dBm) = S.G. Power – Tx Cable Loss + Tx Antenna Gain</p> <p>12. ERP (dBm) = EIRP - 2.15</p> <p>13. The RF fundamental frequency should be excluded against the limit line in the operating frequency band.</p> <p>14. The limit line is derived from 43 + 10log(P) dB below the transmitter power P(Watts)          = P(W) - [43 + 10log(P)] (dB)          = [30 + 10log(P)] (dBm) - [43 + 10log(P)] (dB)          = -13dBm.</p> <p>For Band 17, the limit line is derived from 55 + 10log(P) dB below the transmitter power</p>
<b>Test results:</b>	PASS

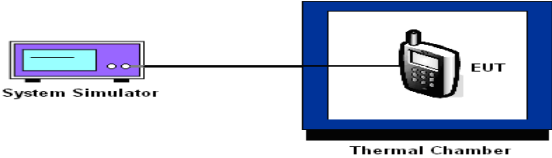
**6.4.2. Test Instruments**

Radiated Emission Test Site (966)				
Name of Equipment	Manufacturer	Model	Serial Number	Calibration Due
ESPI Test Receiver	ROHDE&SCHWARZ	ESVD	100008	Aug. 11, 2017
Spectrum Analyzer	ROHDE&SCHWARZ	FSEM	848597/001	Aug. 11, 2017
Pre-Amplifier	HP	8447D	2727A05017	Aug. 11, 2017
Pre-Amplifier	EM Electronics Corporation CO.,LTD	EM30265	07032613	Aug. 11, 2017
Broadband Antenna	Schwarzbeck	VULB9163	351	Aug. 13, 2017
Broadband Antenna	Schwarzbeck	VULB9163	340	Aug. 13, 2017
Horn Antenna	Schwarzbeck	BBHA 9120D	631	Aug. 13, 2017
Horn Antenna	Schwarzbeck	BBHA 9120D	629	Aug. 13, 2017
Coax cable	TCT	N/A	N/A	Aug. 11, 2017
Coax cable	TCT	N/A	N/A	Aug. 11, 2017
EMI Test Software	Shurple Technology	EZ-EMC	N/A	N/A
Signal Generator	Maconi	2022D	N/A	Aug. 12, 2017
Wideband Radio Communication Tester	R&S	CMW500	114220	Aug. 11, 2017

**Note:** The calibration interval of the above test instruments is 12 months and the calibrations are traceable to international system unit (SI).

## 6.5. Frequency Stability Measurement

### 6.5.1. Test Specification

<b>Test Requirement:</b>	FCC part 27.54, FCC part 24.235
<b>Test Method:</b>	FCC Part 2.1055
<b>Limit:</b>	±2.5 ppm
<b>Test Setup:</b>	 <p>The diagram illustrates the test setup. On the left is a 'System Simulator' represented by a purple rectangular device with a screen and buttons. A line connects it to a 'Thermal Chamber' on the right, which is a blue rectangular box. Inside the thermal chamber is the 'EUT' (Equipment Under Test), shown as a mobile phone.</p>
<b>Test Procedure:</b>	<p><b>Test Procedures for Temperature Variation</b></p> <ol style="list-style-type: none"> <li>1. The testing follows FCC KDB 971168 v02r02 Section 9.0.</li> <li>2. The EUT was set up in the thermal chamber and connected with the system simulator.</li> <li>3. With power OFF, the temperature was decreased to -30°C and the EUT was stabilized before testing. Power was applied and the maximum change in frequency was recorded within one minute.</li> <li>4. With power OFF, the temperature was raised in 10°C steps up to 50°C. The EUT was stabilized at each step for at least half an hour. Power was applied and the maximum frequency change was recorded within one minute.</li> </ol> <p><b>Test Procedures for Voltage Variation</b></p> <ol style="list-style-type: none"> <li>1. The testing follows FCC KDB 971168 v02r02 Section 9.0.</li> <li>2. The EUT was placed in a temperature chamber at 25±5° C and connected with the system simulator.</li> <li>3. The power supply voltage to the EUT was varied from BEP to 115% of the nominal value measured at the input to the EUT.</li> <li>4. The variation in frequency was measured for the worst case.</li> </ol>
<b>Test Result:</b>	PASS

### 6.5.2. Test Instruments

Equipment	Manufacturer	Model	Serial Number	Calibration Due
System simulator	R&S	CMU200	111382	Sep. 11, 2016
Spectrum Analyzer	Agilent	N9020A	MY49100060	Sep. 12, 2016
Thermal chamber	JQ	JQ-2000	N/A	Sep. 12, 2016

**Note:** The calibration interval of the above test instruments is 12 months and the calibrations are traceable to international system unit (SI).

**Appendix A: Photographs of Test Setup**

Refer to test report TCT170602E021

**Appendix B: Photographs of EUT**

Refer to test report TCT170602E021

**\*\*\*\*\*END OF REPORT\*\*\*\*\***