



TH-682 IP Trunking Radio

- 1.77 TFTdisplay
- 4G LTE
- Software off-line update
- SOS function

USER'S MANUAL

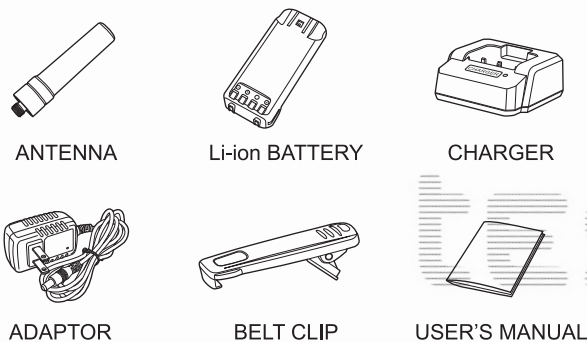
ANY DISTANCE, ANYWHERE

Items in the Package

Carefully unpack the radio. We recommend that you identify the items listed in the following table before discarding the packing material. If any items are missing or have been damaged during shipment, file a claim with the carrier immediately.

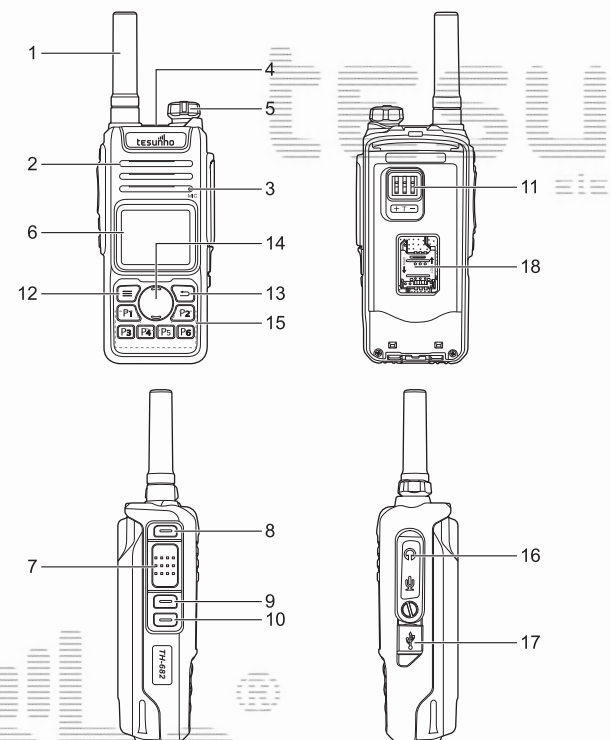
ACCESSORIES

ITEM	QUANTITY
ANTENNA	1
CHARGER	1
ADAPTOR	1
Li-Ion BATTERY	1
BELT CLIP	1
USER'S MANUAL	1



01

Product Controls



1. Antenna 2. Speaker 3. Microphone 4. Indicator Light
 5. Power and Volume Control 6. LCD screen 7. PTT 8. Side Key 1 (PF1)
 9. Side Key 2 (PF2) 10. Side Key 2 (PF3) 11. SOS Key 12. Menu Key
 13. Back Key 14. Up/Down Key 15. P1-----P6 Key 16. Programming/
 Earphone jack 17. Micro USB charger jack 18. SIM Card Slot

02

LCD Icon

Icon	Name	Status
	Battery	More bars indicate more battery power.
	Battery charging	Red: charging Green: fully charged
	Signal	More bars indicate stronger signal strength.
	Network availability	Normal network
	GPS	GPS available, but no positioning success.
	GPS	GPS positioning success
	Key Lock	Keypad locked
	SOS	Transmit SOS or receive SOS
	Records	PTT Records is open
	Monitor	Monitor the group which Icon shown at

03

Basic Operation

NOTE Please check the following two items before using.
 a. Please make sure the SIM card has been activated and has started the data service.
 b. Please make sure the radio has been programmed with the activated platform account and correct APN information. If not, please contact local dealer for assistance.

1. Power on

- Insert the SIM card
- Pack the battery
- Turn the volume control clockwise to power on.

2. Power off

Turn the volume control anticlockwise to power off.
 Caution: No removing battery directly to power off, otherwise it will lead to the data loss and the walkie-talkie damages.

3. Transmitting

Press the PTT button to transmit, keep away from microphone 5cm at least.
 Exception & Talking Priority: If there is an advanced user starts to talk when you are transmitting, you will be forced to exit the transmitting mode.

4. Receiving

The LED indicator lights blue, LCD screen displays the transmitter's name when it is receiving.

04

Menu Introduction

- Press MENU Key to enter menu
- Press “▲” or “▼” Key to select items
- Press BACK Key to back to the previous menu
- Press MENU Key to confirm selecting

	Step 1	Step 2	Function Instruction	
Menu	Choose Group		Choose a group, then you can transmit and receive message within the group.	
	Friend List		Enter to make private call with the friend(s) that added on platform	
	User List		Enter to make private call with the group member(s)	
	Dispatcher MSG		Enter to check dispatcher messages	
	Contacts		Add the phone call contacts list by programming. Into contacts list to choose a phone number to make phone call directly.	
	PTT Records		Enter to check the voice records	
	Advanced Setting	Network Mode	Switch 3G/4G/AUTO	
		SPK Level	-2/-1/standard/+1/+2	
		MIC Level	-2/-1/standard/+1/+2	
		Sound Quality	Standard / High Quality	
SOS Mode		OFF/Normal/HOT MIC		
Record Control		OFF/ON		
Settings	Time Zone	Choose time zone		
	PoC Update	Remote update PoC file		
	Network Mode	Auto/3G only/3G only/4G only		

Menu	Settings	PoC Update	Enter to check the current POC version or update it.
		Record Control	Enter to turn on/off the PTT voice record function
		SOS Mode	OFF: Close SOS function. Normal: SOS alarm every 30 seconds and will stop after 3 cycles. HOT MIC: SOS alarm 30 seconds, automatically activates MIC for 10 seconds, then stop for 20 seconds, and it will end after 3 cycles.
		Time Zone	Enter to choose the correct local Time Zone.
		Backlight	Open: Backlight keeps on. Auto: Backlight turns on automatically when operating on keys, transmitting or receiving happens. Backlight off automatically after 10 seconds no operation. Key: Backlight on automatically when operating on keys. Backlight off automatically after 10 seconds no operation.
			Auto lock
		Language	English/ Simplified Chinese
		Key Tone	ON: A beep when operating on keys. OFF: No voice when operating on keys.
		Roger Beep	ON: A beep when transmitting. OFF: No voice when transmitting.
		Version	Enter to check the software version, network mode, IMEI

Advanced Functions

1. Phone Calls

Make phone call in your contacts or call records list directly.

2. Playback Voice Records

Enter Record Control to turn on the PTT records function, then under standby mode, short press “UP” or “DOWN” key to playback the records.

3. Multi-members Selective Call

Enter friend or user list, short press “MENU” key to select one or more online friends, press PTT to create temporary group for selective call.

4. Monitor Group

Enter choose group, short press “PF3” key to monitor other group (s). Short press again to cancel.

5. APRS Function (GPS must positioned)

- Shortly press the PF3 key, the last caller's GPS location will be shown.
- Enter friend or user list, short press “PF3 key” key to check the online user's GPS information.

6. Shortcut Operation

- Define Shortcut Group/user call: Enter choose group/ friend list/ user list, long press the P1-P6 keys can store the current chosen group, friend or user in the corresponding key.
- Shortcut Group/user call: Under standby mode, shortly press the key to recall the group, friend or user stored in the keys.

7. Quick search function

- Under the menu “Group list/User list/Friend list”, you can click P6 to enter search function.
- Choose the last letter by the P1 key, select the next by the P2 key, and confirm the selected letters by the P3 key. Groups, members, and friends with the selected letters will be shown in the list.
- Select the required group, members or friends with the UP key or DOWN key, press the MENU key to confirm.

AFTERSALES SERVICE

Warranty Period

Main Unit: Battery, Charger and Adapter: half a year from the date the radio is sold. (It's invalid without the seal of seller.)

Free Maintenance

The seller provides free maintenance for the nature breakups in the warranty period.

Paid Maintenance

Under the following conditions, the seller will charge the maintenance fee: When the maintenance is beyond the warranty period, the seller will charge reasonable maintenance free.

- The breakups are caused by nature disasters.
- The breakups are caused by customers. (Or their deliberate intentions.)
- The breakups are caused by the mishandling or operation unpermitted.
- The breakups are caused by using the nonstandard battery packs.

Seller: Ser. No:
Model: Date:

Any Changes or modifications not expressly approved by the party responsible for compliance could void the user's authority to operate the equipment. This device complies with part 15 of the FCC Rules. Operation is subject to the following two conditions:

- (1) This device may not cause harmful interference, and
- (2) this device must accept any interference received, including interference that may cause undesired operation.

Note: This equipment has been tested and found to comply with the limits for a Class B digital device, pursuant to part 15 of the FCC Rules. These limits are designed to provide reasonable protection against harmful interference in a residential installation. This equipment generates, uses and can radiate radio frequency energy and, if not installed and used in accordance with the instructions, may cause harmful interference to radio communications. However, there is no guarantee that interference will not occur in a particular installation. If this equipment does cause harmful interference to radio or television reception, which can be determined by turning the equipment off and on, the user is encouraged to try to correct the interference by one or more of the following measures:

- Reorient or relocate the receiving antenna.
- Increase the separation between the equipment and receiver.
- Connect the equipment into an outlet on a circuit different from that to which the receiver is connected.
- Consult the dealer or an experienced radio/TV technician for help.

SAR tests are conducted using standard operating positions accepted by the FCC with the walkie talkie transmitting at its highest certified power level in all tested frequency bands, although the SAR is determined at the highest certified power level, the actual SAR level of the walkie talkie while operating can be well below the maximum value. Before a new model is available for sale to the public, it must be tested and certified to the FCC that it does not exceed the exposure limit established by the FCC, tests for each product are performed in positions and locations as required by the FCC.

For body worn operation, this device has been tested and meets the FCC RF exposure when used with an accessory designated for this product or when used with an accessory that Contains no metal.

To maintain compliance with the FCC RF exposure guideline, hold the transmitter and antenna at least 2.5 centimeters from your face and speak in a normal voice, with the antenna pointed up and away from the face.

This equipment complies with FCC radiation exposure limits set forth for an uncontrolled environment.