

SODLK



T200PLUS
Outdoor Wireless Speaker
User Manual

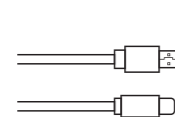
Accessories



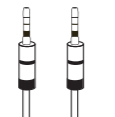
Ordinary Version



Luxury Version(Equipped with wireless Microphone)

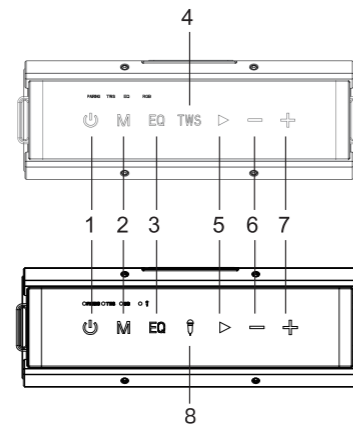


Type-C Charging cable



3.5mm Audio Cable

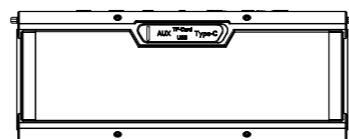
Illustration



1. On/off
2. Mode Switching
3. RGB/EQ Button
4. TWS Mode
5. Play/Pause/Calls Answering
6. Volume down/Previous Track
7. Volume up/Next track
8. Microphone connection

Parameters

BT Version:5.0
DSP technology: Deep bass strengthen
Rated output power:100W
Maximum output power : 120W
Input:DC 5V/2.1A
Charging time:≥6hours
TWS working distance : ≤6m
BT working distance : ≤18m
AUX Mode : 3.5mm audio port
TF card Mode : Maximum 128GB
USB Mode : Maximum 128GB
Driver unit size:78mm*2+52mm*2
Battery capacity:16800mah
(automobile dynamics)
Product size:292*112*101mm
Product weigh:2685g
Charging: Type-c 5V/3A
Impedance:4 ± 15%



Operation

Button	function	operation	LED indicator
POWER	Turn on	Long press the "POWER" button for 1.5s, speaker will turn on and go into pairing mode automatically	BT indicator flashing waiting for BT connection BT indicator stays in solid blue: connection completed
	Turn on/off RGB light	When speaker is on, short press the "POWER" button one time to turn on/off the RGB light	RGB light on/off
	Volume down	Short press "-" button to decrease the volume for 1 step (total 16 scales)	Indicator light goes off
	Volume up	Short press "+" button to increase the volume for 1 step (total 16 scales)	Indicator light goes off
BT	BT indicator off	Short press "MODE" button to switch BT (TF/USB/AUX) Mode	
	BT Disconnection	In BT paired mode, long press the button for 5s to disconnect the BT	
EQ	Rock speaker	Long press the button for 5s to reset the speaker	
	EQ MODES	Short press the button for switching EQ from deep bass to vocal sound and short press again change into surround sound. Long press the button for 5s to control the LED light.	Indicator off/Deep bass mode: Indicator is green "vocal mode" Indicator in blue/3D mode
TWS	TWS Connection	Short press "TWS" button to enter TWS pairing Under TWS connection, short press "TWS" button again to exit TWS MODE	Indicator is flashing yellow/TWS waiting for connection Indicator is solid yellow/TWS connection completed
	Pairing mode	1. Turn on the two speaker and make sure they are not connected with any device. 2. Short press the "TWS" button of one speaker, you will hear a prompt and the indicator will go flashing yellow to enter TWS pairing. 3. When the two speaker connect with each other successfully, the indicator of the primary speaker will go flashing and the secondary speaker's indicator will go off. The primary speaker is waiting for BT connection. 4. Short press "TWS" button again to disconnect the speaker and exit TWS Mode	Indicator is flashing yellow/TWS waiting for connection Indicator is solid yellow/TWS connection completed Primary indicator flashing waiting for BT connection and the secondary speaker's indicator is off.
PLAY/Pause	Pause/play	Short press TWS button for 2s to enter Karaoke mode. Turn on the wireless microphone, the mic will automatically connect to the speaker	Indicator of the Mic is on
	Answer a call	Under AUX mode, short press "play/pause" button to make the speaker	When playing, indicator flashes slowly when speaker's remote indicator stays in solid blue
PLAY/Pause	End a call	Short press play/pause button to answer a call, when a call is coming	
	Decline a call	Short press play/pause button to end a call, when hearing a call Long press play/pause button for 2s to decline a call, when a call is coming	

PLAY/Pause	End a call	Short press play/pause button to end a call, when hearing a call	
	Decline a call	Long press play/pause button for 2s to decline a call, when a call is coming	
EQ	EQ MODES	Short press the EQ button and press "+" button to increase Microphone's volume	
	EQ MODES	Short press the EQ button and press "-" button to decrease Microphone's volume	
charging	charging	5V/3A intelligent charging	Charging indicator is red Charging completed indicator off
	Intelligent power saving	Speaker will go off if no BT connection in 10 minutes	
AUX MODE	Low battery warning	When speaker is low battery, the speaker will automatically go off	Indicator is flashing red
	AUX MODE	Insert 3.5mm audio cable, the music will automatically read and play	Indicator flashes slowly when playing Indicator is solid blue when pausing
USB MODE	USB MODE	Insert USB disk, the music will automatically read and play	Indicator flashes slowly when playing Indicator is solid blue when pausing
	TF MODE	Insert TF card, the music will automatically read and play	Indicator flashes slowly when playing Indicator is solid blue when pausing
USB port	USB port	To charge your device when needed	

FCC Statement

- This device complies with Part 15 of the FCC rules.
- Operation is subject to the following two conditions: 1) this device may not cause harmful interference, and 2) this device must accept any interference received, including interference that may cause undesired operation.
- This equipment has been tested and found to comply with the limits for a Class B digital device, pursuant to Part 15 of the FCC rules. These limits are designed to provide reasonable protection against harmful interference in a residential installation. This equipment generates, uses and can radiate radio frequency energy and if not installed and used in accordance with the installation, may cause harmful interference to radio communications. However, there is no guarantee that interference will not occur in a particular installation. If this equipment does cause harmful interference to radio or television reception, which can be determined by turning the equipment off and on, the user is encouraged to try correct the interference by one or more of the following measures:
 - Reorient the receiving antenna.
 - Increase the separation between the equipment and receiver.
 - Connect the equipment into an outlet on a circuit different from that to which the receiver is connected.
 - Consult the dealer or an experienced radio/TV technician for help.
- Changes or modifications not expressly approved by the party responsible for compliance could void your authority to operate the equipment.
- The distance between user and products should be no less than 20cm.
- The EUT is Indoor use only

PRODUCT INSPECTION CERTIFICATE

Quality inspection: _____
Inspector: **IPD** Quantity: _____
Code: **2021.04.03** Date in manufacture: _____
Executive Standard: **FCC 008**

Warranty Card (please keep this card for warranty services)

User profiles _____ Date _____

Name:	
Address	
Contact number:	
Product name and Specification	
Signature of the agency:	

- Warranty clause**
- If the product is not specially marked, users can choose to return the product due to its own quality problems (not product software faults) from the date of purchase. The return period is 7 days; the replacement period is 15 days; and the warranty period is 12 months.
 - If the product is not specially marked, users can choose to return the product due to its own quality problems (not product software faults) from the date of purchase. The return period is 7 days; the replacement period is 15 days; and the warranty period is 12 months.
 - When the user requests the warranty service, he/she shall actively provide the valid warranty service certificate or invoice; Additional services beyond the warranty shall be charged in accordance with relevant regulations, and the warranty period of the products shall be 3 months from the date of picking up or delivery.
 - The warranty services provided by our company is limited to products with quality problems, and does not include compensation for buyers' loss of interests, loss caused by accidents and any other indirect or direct loss;
 - The user should take the initiative to buy in the seller place according to the requirements to fill in necessary information in the warranty card.



Manufacturer: Shenzhen Hutianmei Technology CO., LTD

Website: WWW.hutntech.com

Service Hotline: 13798197588

Address: 32 Building, the third Industrial Park, Houting, Shajing, Baoan District, Shenzhen, China

Executive Standard: GBT 7313-1987; GB17625.1-2012; GB8898-2011