

FPV DUO

CAMERA RACING DRONE +
FLIGHT IMMERSIVE GOGGLES



4.3"
SCREEN



FPV
GOGGLES



5.8G
CONTROL



FIRST PERSON
VIEW FLYING



AUTO
HOVER



ONE KEY
RETURN



3200
feet
FLIGHT
RANGE



Carrying
Case



Icon Coded
Controller



Flight Immersive
Goggles

DRCLS16-NOC
USER MANUAL

BC

Contents

Product Profile	1
Setting Up Your FPV DUO	2
Setting Up Your Goggles	2
Setting Up the Remote Controller	3
A Quick Look at Your FPV DUO	3
Aircraft	6
Flight Modes	6
Aircraft Status Indicator	7
Return to Home (RTH)	8
Aircraft Power Switch	10
Aircraft Battery	10
Attaching and Detaching the Propellers	11
Flight	13
Environmental Requirements	13
Pre-flight Checklist	13
Calibrating Your Aircraft (Preparing for Flight)	14
Transferring Photos and Videos	17
Remote Controller	18
Photo and Video Capture	18
Speed Adjustment	18
Point of Interest (Surrounding Flight Mode)	19
Test Flight	19
FPV Goggles	20
Main Functions	20
Operation	21
Screen Settings	22
Important Statements	23
Flight Safety Guidelines	23
FCC Compliance Statement	24
VIVITAR 1 YEAR WARRANTY	25

PART 1: Product Profile

This section introduces functions and installation guidelines of the FPV DUO and lists the components of the aircraft and Remote Controller.



IMPORTANT NOTE: FAA REGISTRATION

Owners of a drone that weighs more than 0.55 lbs. (250 g) and less than 55 lbs. (25 kg) must register their UAS online at the FAA website, <https://www.faa.gov/uas/registration>.

After receiving the certificate of registration, a unique FAA registration number will be provided and it must be marked on the Drone by any means, such as permanent marker, label, engraving, or other means, as long as the number is readily accessible and maintained in a condition that is readable and legible upon close visual inspection.

Introduction

The FPV Duo includes an aircraft, goggles, a remote controller and a carrying case. The technology used features 5.8GHz direct streaming to the headset, auto hovering, one-key return and unlock, a flight range of 3200 feet, real time video transmission, 28 minutes of total flight time.

The FPV Duo is also equipped with 720p Full HD Video, brushless motors, real time video transmission, headless mode directional lock, easy USB plug-in for charging, and variable speed settings.

Video Tutorials

It is recommended to watch the video tutorials in order to best prepare for your first flight. Scan the QR code to watch the videos:



Please Read This User Manual

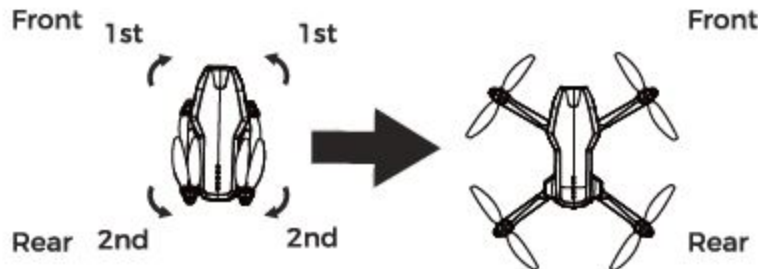
Thank you for purchasing the FPV DUO, item DRCLS16-NOC. The included Remote Controlled aircraft is designed specifically for outdoor flying. In order to get the best possible results, please read this manual carefully before using. In addition, be sure to keep this manual in a safe place for future reference.

Setting Up Your FPV DUO

Unfold the Aircraft

The aircraft is **folded** inside the package. Please **unfold** the aircraft before use.

1. Unfold the front arms.
2. Unfold the rear arms.



Battery Installation

Drone Battery: Please make sure the battery is **fully** charged before installation. Insert the charged battery into the battery case at the back of the aircraft. Make sure that you hear a clicking sound which indicates that the battery has been inserted securely.

Please see 'Aircraft Battery' section for more details.



⚠ Attention: Failure to securely insert the battery can lead to your aircraft losing power mid flight and crashing.

Setting Up Your Goggles

1. **Install** the two antennas to the mounting holes.(Pic 1)
2. Charge your FPV Goggles using the included USB cable. Connect the cable from the USB port on the goggles to a power supply. The charging indicator light turns red while charging and turns off when fully charged.
3. Turn on the Power Switch.(Pic 2)
4. Press and hold the "CH" Channel button for the FPV Goggles to automatically search for the real time view. (Pic 3)
5. Attach the head straps to the top and side of the goggles. Align the goggles over your eyes then pull the head straps over your head. If needed, adjust the head straps so that the goggles fit comfortably and securely on your face and head. (Pic 4)



Pic 1



Pic 2



Pic 3



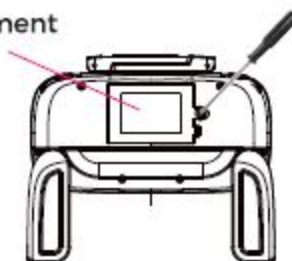
Pic 4

Setting Up the Remote Controller

Insert Batteries Into Your Remote Controller

1. Use a screwdriver to open up the battery compartment located on the rear of your remote controller.
2. Insert 3 AAA 1.5V batteries, making sure that the batteries are inserted with the correct polarity (+,-) as displayed in the battery compartment.
3. Once the batteries are inserted, place the battery compartment cover back on the battery compartment, and use a screwdriver to close it securely.

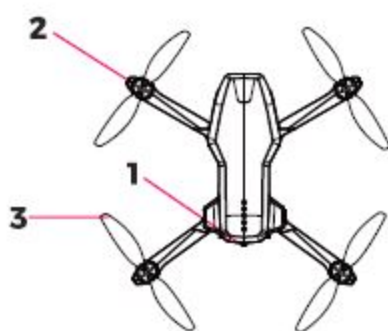
Battery
Compartment



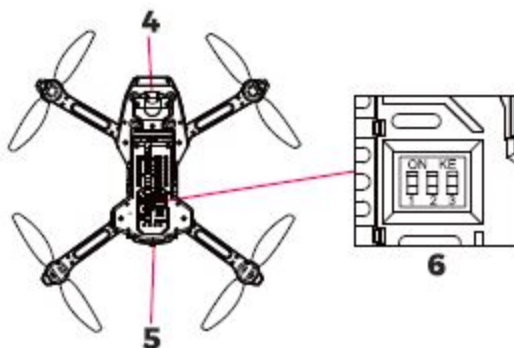
- Do not mix rechargeable and non-rechargeable batteries.
- Do not mix old and new batteries or different types of batteries.
- Remove exhausted batteries and dispose of them based on the rules of your local municipality.
- Remove the batteries from your Remote Controller if it will not be in use for an extended period of time.

A Quick Look at Your FPV DUO

Aircraft



TOP VIEW

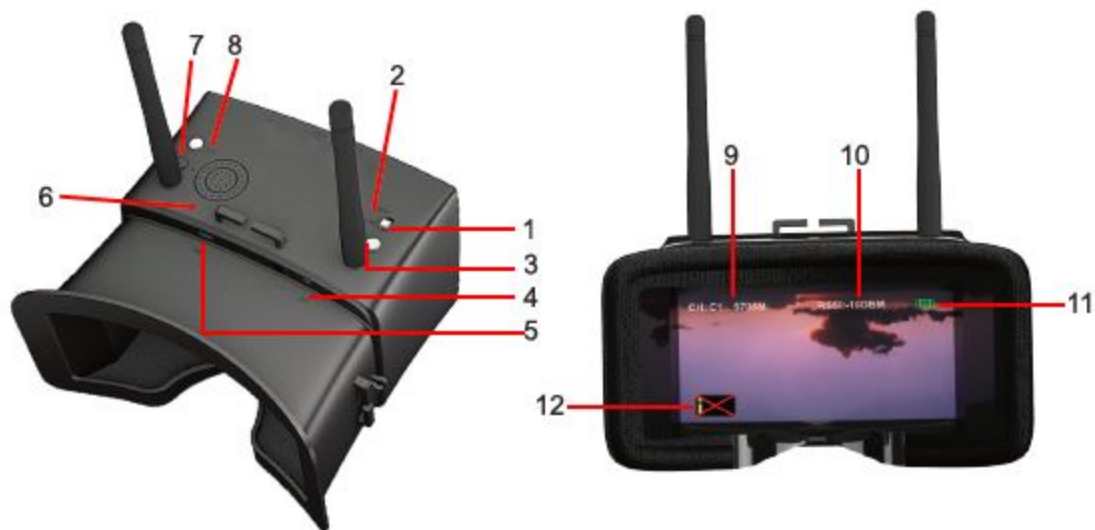


BOTTOM VIEW

1. Power switch
2. Coreless motor
3. Propeller
4. Camera
5. Battery
6. 5.8G Channel Switch Area

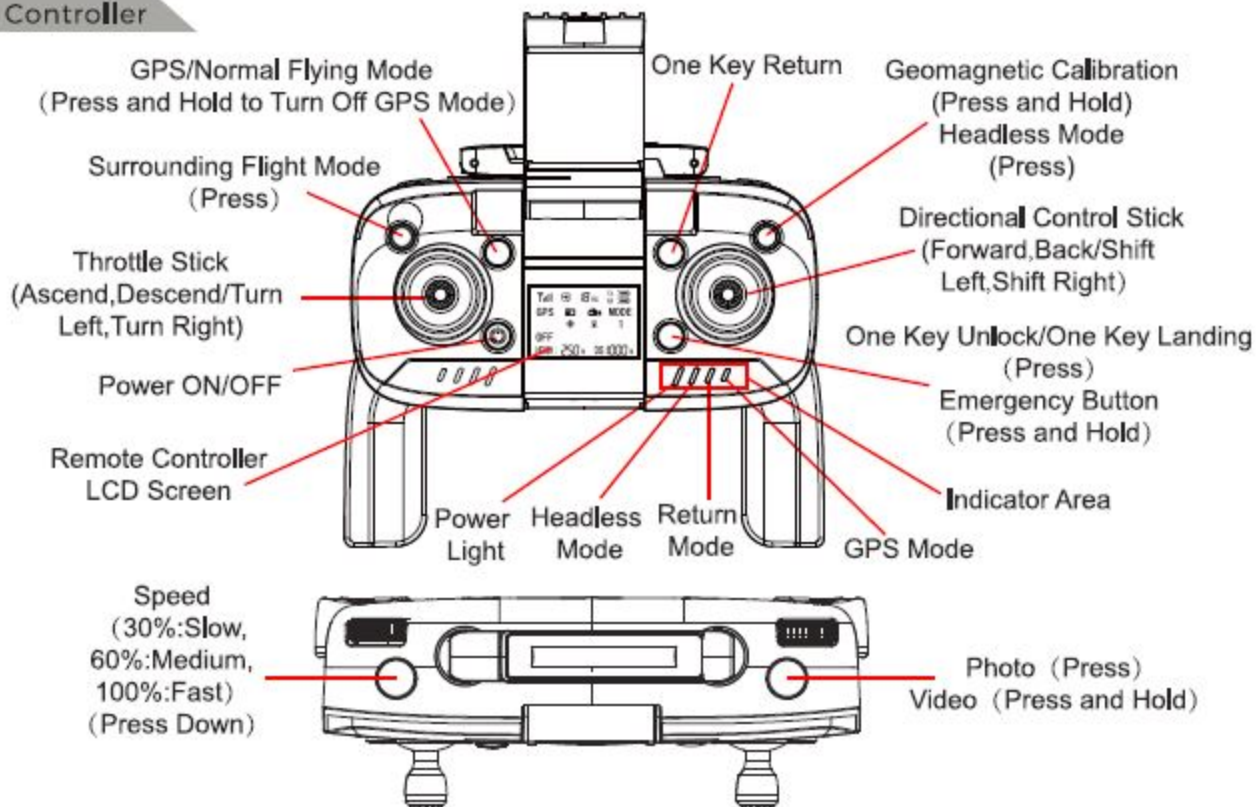
Note: Camera shooting angles can be adjusted by hand.

FPV Goggles

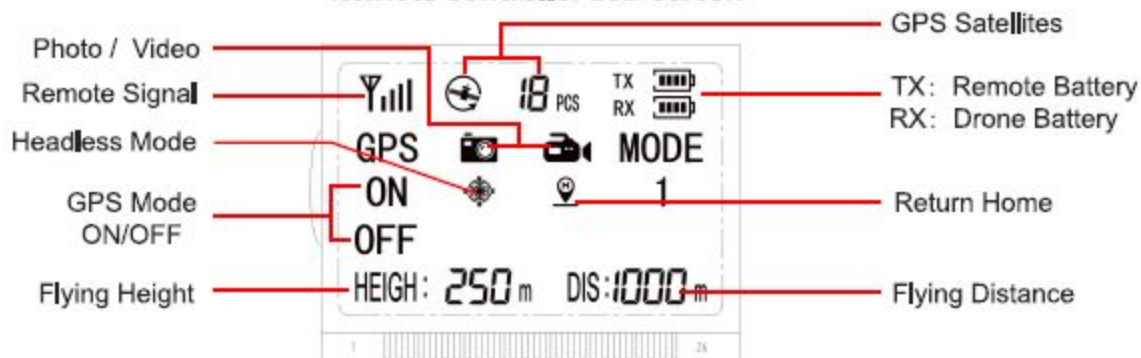


1. Power: ON/OFF
2. Power indicator light: Turns blue after powering on
3. S: Channels switching
4. AV: AV input interface
5. USB: MICRO USB charging interface
6. Charging indicator light: Turns red when charging, and turns off when fully charged
7. B: Band switching
8. CH: Channel auto-searching, opens Setting options
9. CH: Channel Number
10. BSSI: Signal, a normal to a good signal is between 0 to -15; the lower the BSSI signal, the weaker it is
11. Goggles battery status
12. SD Card Indicator: If this icon appears, it indicates that there is no SD card in your drone, and no videos and photos can be recorded. Please make sure to insert an SD card (not included) to record your images. Once the SD card is inserted, this indicator does not appear.

Remote Controller



Remote Controller LCD Screen



When the aircraft is turned on, it automatically goes into GPS mode.

PART 2: Aircraft

This section introduces functions and features of the FPV DUO.



Flight Modes

Your FPV DUO has 2 flight modes.

GPS Mode: When the aircraft is turned on, it automatically goes into GPS Mode.

GPS Mode is suitable for **OUTDOOR** flying, the drone can be more stable under wind status and it can automatically return back under GPS mode.

When in GPS Mode, the remote controller LCD shows "GPS ON" on the left side. (Pic 2)

Normal Flying Mode: Press and hold the GPS/Normal Flying Mode button to switch to Normal Flying Mode. (Pic 1)

Normal Flying Mode is suitable for **INDOOR** flying. The drone can not automatically return back under this mode.

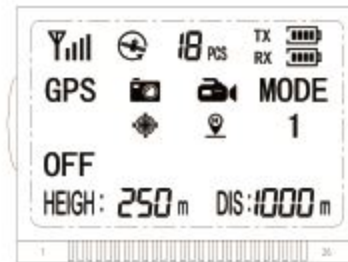
When in Normal Flying Mode, the remote controller LCD shows "GPS OFF" on the left side. (Pic 3)



Pic 1



Pic 2



Pic 3

Aircraft Status Indicator



Aircraft Status Indicator


GPS MODE			NORMAL MODE(NO GPS)	
Before finding GPS Signal	FRONT LED	BLUE	FRONT LED	BLUE
	REAR LED	RED+GREEN	REAR LED	RED+GREEN
After finding GPS signal	FRONT LED	BLUE		
	REAR LED	GREEN		

Rear Light Status Under GPS Mode

Indicator Status	Rear Light
Turn on Aircraft	Flashes Green Slowly
Aircraft and Remote Connection	Flashes Green Slowly
Start Compass Calibration	Flashes Green Quickly
Finish Compass Calibration	Flashes Red + Green
Search GPS Signal	Solid Green
Return To Home	Solid Red
Return to Home with Low Battery	Flashes Red

Return to Home (RTH)

The Return-to-Home (RTH) function brings the aircraft back to the last recorded Home Point. There are 3 types of RTH: Smart RTH, Low Battery RTH and Failsafe RTH. This section describes these 3 scenarios in detail.

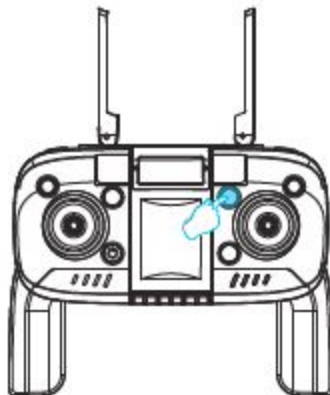
☰	GPS	Description
Home Point		If a strong GPS signal (satellites over 7) was acquired before takeoff, the Home Point is the location from which the aircraft was launched. The aircraft's rear indicator light will turn red when the Home Point is recorded.



- The aircraft cannot avoid obstacles when it is flying back with the RTH function initiated.
- The aircraft cannot return to the Home Point when the GPS signal is weak or unavailable.

Smart RTH

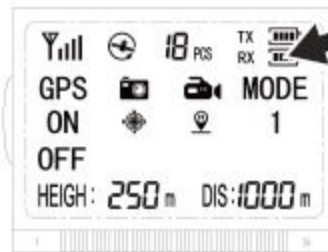
When the GPS signal is available (more than 7 satellites is presented), use the RTH button on the Remote Controller and then follow the on-screen instructions to initiate Smart RTH.




Low Battery RTH

When the battery level of your aircraft is low, it automatically returns directly to the take-off point. During the state of low battery, the aircraft cannot be controlled beyond 20 meters. If the aircraft is returned to within 20 meters from the take-off point, it can be controlled. If it is beyond 20 meters, the aircraft then enters into the landing protection mode in which it performs as follows – because it will not be able to fly more than 20 meters and will not be able to automatically return, it will safely land immediately when the battery is totally depleted. When the drone is under Low Battery Status, the RX battery icon will start flashing.

Remote Controller LCD Screen

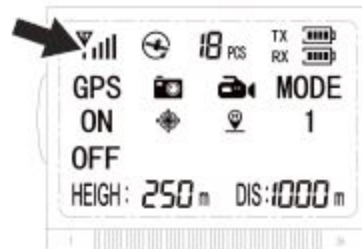


 **Note:** When the aircraft is in a state of low battery, the front white lights are on, and the rear red light flashes.

Failsafe RTH

When the remote controller and drone are disconnected, the signal icon starts flashing on the remote controller (see photo below) and the remote controller emits a beeping sound. If this status continues for over 6 seconds, the Failsafe FTH is automatically activated, and the drone returns to the Home Point. Once the remote controller connects with the drone again, the signal icon stays solid, and the remote controller stops beeping. This indicates that the drone will stop returning Home and can be used to fly.

Remote Controller LCD Screen



Aircraft Power Switch

Turn On the Aircraft

Once the battery is inserted securely, press and hold the power button for 3 seconds. The aircraft makes beeping sounds and the rear light flashes continuously.

Turn off the Aircraft

Press the power button, the aircraft's light goes off and the aircraft will then power off.

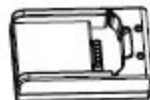


Aircraft Battery

- Made by high-energy battery cells
- Standard battery capacity is 7.6V 1950mAh



Aircraft Battery



Battery Charging Base



USB cable

How to Remove the Battery

- Push the lever down and simultaneously pull out the battery.



Charging the Aircraft Battery

- The aircraft's battery needs to be fully charged before every flight.
- Please use the included charging base and USB cable to charge the aircraft's battery.
- It takes approx 210-240 minutes to fully charge the battery.



Battery and charging base



USB cable

Power adaptor
(not included)

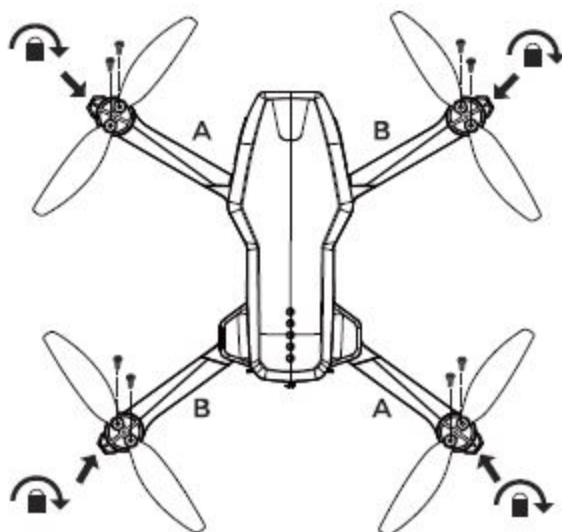


- Do not let children play with this aircraft without adult supervision.
- Insert batteries with correct polarity.
- Rechargeable batteries are to be removed from the aircraft before being charged.
- Rechargeable batteries are only to be charged under adult supervision.
- Exhausted batteries are to be removed from the aircraft.
- The supply terminals are not to be short-circuited.
- The charging line should regularly be examined for potential hazards, such as damage to the cable, cord, plug, enclosure or any other parts. In the event of such damage, the product must not be used until such damage has been properly removed.

Attaching and Detaching the Propellers

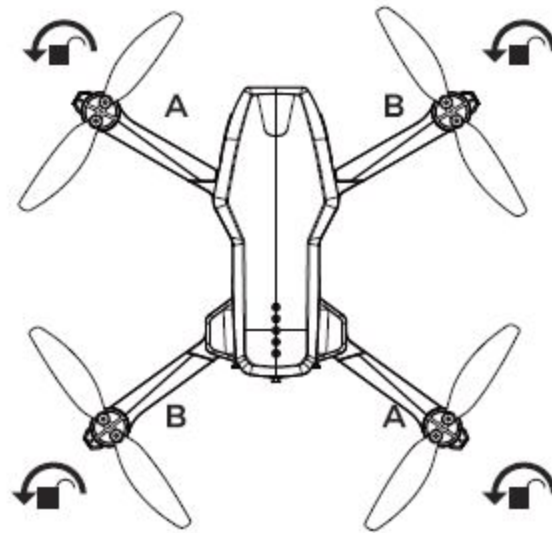
Attach the Propellers

Install propeller A and propeller B on the corresponding motor shaft and fix each propeller's screws tightly by rotating them in a clockwise direction. (A/B markings are on the top of each propeller.)



Detach the Propellers

Take out the screws by rotating them in counter-clockwise direction and then remove the propellers.



- Please make sure that the propellers are attached to the correct motors, because the aircraft will not fly normally if the wrong propellers have been attached.
- Be aware of the sharp edges of the propellers. Handle with care.
- Use only original default propellers. DO NOT mix propeller types.
- Stand clear of the motors and DO NOT touch the propellers when they are spinning.
- Check that the propellers and motors are installed correctly and are attached securely before every flight.
- Ensure that all propellers are in good condition before each flight, DO NOT use aged, chipped, or broken propellers.
- To avoid injury, STAND CLEAR of and DO NOT touch propellers or motors when they are spinning.
- ONLY use original default propellers for a better and safer flight experience.

PART 3: Flight

This section reviews safe flight requirements and basic aircraft operations.



Environmental Requirements

1. Please don't fly in areas with extremely high temperatures, snow, strong wind (\geq level 5), rain or fog.
2. Always choose a wide open area for every flight. Tall structures and large metal structures may affect the accuracy of the onboard compass and GPS system.
3. Never fly directly over people or animals.
4. To minimize interference, please do not fly the aircraft in locations near power lines, base stations, electrical substations and broadcasting towers.
5. Aircraft and battery performance is subject to environment factors like temperature. Be very careful when flying over 3200ft above sea level since the performance will be affected.
6. Your aircraft cannot use GPS within polar regions.

Flight Limits and GEO Zones

Abide by all laws and regulations when flying your aircraft. Flight limitations are applied by default to help users operate this product safely and legally. Flight limitations include altitude limits, distance limits and GEO Zones. Altitude limits, distance limits and GEO Zones function concurrently to manage flight safety when operating in GPS Mode.

Pre-flight Checklist

Before flight, make sure that:

1. The aircraft, Remote Controller and FPV Goggles are fully charged.
2. The propellers are installed correctly.
3. The arms and propellers are properly unfolded.
4. The camera lens is clean.

Calibrating Your Aircraft (Preparing for Flight)

Before preparing your aircraft for flight, first make sure that you have a suitable environment for flight. Avoid flying in rain or snow, or in windy conditions. Stay away from people, trees, power lines, tall buildings, airports and signal towers. Your aircraft is specifically designed for outdoor flying. Do not attempt to fly your aircraft or calibrate it indoors.



Powering On Your Aircraft and Remote Controller:

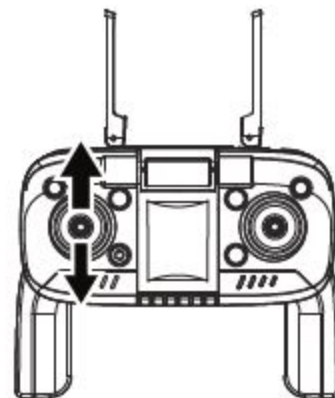
1. To power on your Remote Controller, press the Power ON/OFF button. You will hear a beep when it powers on. Unfold the two antennas.
2. To power on your aircraft, press and hold the Power button. The LED lights on the aircraft flash rapidly.
3. Once your aircraft and Remote Controller are powered on, follow the calibration steps below in order to prepare your aircraft for flight.



Pairing Your Aircraft with Your Remote Controller

1. With your aircraft and Remote Controller both powered on, push the throttle stick on the Remote Controller all the way up and then push it all the way down.
2. When you hear your Remote Controller make a beeping sound, then your aircraft is paired with your Remote Controller.

NOTE: Once you turn on your aircraft, it will go into GPS mode automatically.



Aircraft Compass Calibration

Note: When the environment is not suitable for flying, your aircraft quickly recovers a stable altitude and automatically returns to the take-off position after circling for a few seconds.

Your aircraft needs to go through the geomagnetic calibration process only when flying it for the first time from the new location. Thereafter, when flying from the same location, there is no need to go through the geomagnetic calibration process. Your aircraft can then fly under GPS mode.

1. Press and hold the geomagnetic calibration button, until your remote controller emits a beep sound.(Pic 1)
2. Rotate your aircraft horizontally, spinning it in a clockwise direction continuously until the rear light flashes red, and your remote controller emits a beep sound.(Pic 2)
3. Turn the head downwards and rotate your aircraft vertically, spinning it continuously until the rear light flashes red + green, and your remote controller emits two beep sounds.(Pic 3)

When the above steps are completed, put the drone on the ground and wait for the drone's rear light to turn solid green (indicating the drone has obtained a good GPS signal to fly). Normally it will take around 1-2 minutes to wait for the solid green light.

Under GPS Mode, the drone can only take off when the rear light is solid green.



Pic 1



Pic 2



Pic 3



Attention: To fly in GPS Mode, please choose an open and wide open space for flight, making sure that the satellite amount is over 7. The satellites are shown on the remote controller LCD.



- Please do not calibrate the compass in strong magnetic areas, such as a magnetic field, a parking place or construction zones with underground reinforcement.
- Please do not carry magnetic materials with you (such as keys, cell phones, etc) when calibrating the compass.
- Please keep away from metal when calibrating the compass.

Gyroscope Calibration

When the compass calibration is finished, place the aircraft on a flat surface and follow the actions in the illustrations—Pull the throttle stick and the directional stick all the way down and to the left simultaneously. Release them after about 10 seconds. You will notice that lights on your drone will flash as you are holding down the sticks, and will stop flashing and remain illuminated once the gyroscope is calibrated.



- The gyroscope comes pre-calibrated by default. The gyroscope does not need to be calibrated unless the aircraft is not initializing properly.
- Please make sure to place the aircraft on a horizontal surface when performing calibration. Failure to do this will affect the flight.

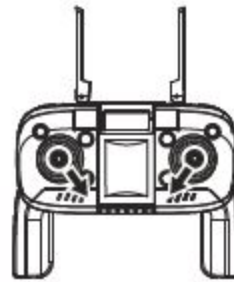
How to Lock and Unlock the Aircraft

Method 1: Move the left throttle all the way down and to the right, At the same time move the right throttle all the way down and to the left. (Pic 1)

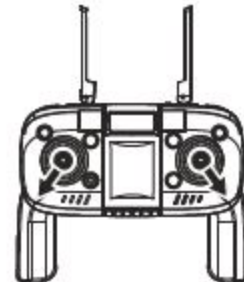
Method 2: Move the left throttle all the way down and to the left. At the same time move the right throttle all the way down and to the right. (Pic 2)

Note:

When the aircraft is locked, the rotors do not spin.
When the aircraft is unlocked, the rotors start spinning.



Pic 1



Pic 2



Tips:

- Please do not lock the aircraft by pressing the emergency button directly during the flight.
- Press the emergency button for 3 seconds to stop the flight ONLY when the aircraft encounters an emergency, or the aircraft has crashed.

Setting Up Your Goggles

1. Install the two antennas to the mounting holes.(Pic 1)
2. Charge your FPV Goggles using the included USB cable. Connect the cable from the USB port on the goggles to a power supply. The charging indicator light turns red while charging and turns off when fully charged.
3. Turn on the Power Switch,(Pic 2)
4. Press and hold the "CH" Channel button for the FPV Goggles to automatically search for the real time view. (Pic 3)
5. Attach the head straps to the top and side of the goggles. Align the goggles over your eyes then pull the head straps over your head. If needed, adjust the head straps so that the goggles fit comfortably and securely on your face and head. (Pic 4)



Pic 1



Pic 2









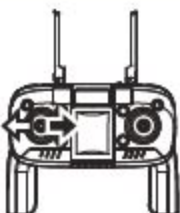



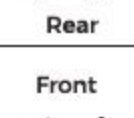



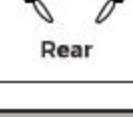

Pic 3



Pic 4

Operating the Aircraft

Remote Controller	Aircraft
	<p>Ascend</p>  <p>Descend</p> 
	<p>Backward</p>  <p>Forward</p> 

Remote Controller	Aircraft
	<p>Turn Right</p>  <p>Turn Left</p>  <p>Front</p>  <p>Rear</p> 
	<p>Shift Left</p>  <p>Front</p>  <p>Rear</p>  <p>Shift Right</p> 

Transferring Photos and Videos

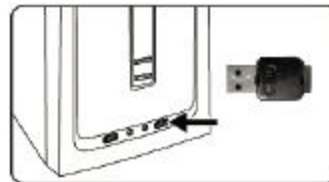
Your aircraft has a built in VGA camera which can record 1280x720 resolution video or 1.0MP resolution photos. To transfer recorded videos and photos to your computer, follow the steps below:



1. Insert a Micro SD memory card (not included) into your aircraft. Make sure that a Micro SD memory card is placed in the aircraft's memory card slot. For best results do not use a memory card over 32GB.



2. After flying and recording photos or videos, remove the memory card from the camera and insert it into the Micro SD card reader, making sure it is inserted correctly.



3. Insert the Micro SD card reader into an available USB port on your computer.

In WINDOWS PCs, you can double click on the MY COMPUTER icon (just Computer in WINDOWS Vista and later), and a new drive letter labeled REMOVABLE DISK will be accessible. By double clicking on this drive, you can access the content of your memory card.

If you are using a MAC OS, an extra drive will mount on your desktop when the card reader is connected to your computer and a memory card is inserted.

PART 4: Remote Controller

This section describes the features of the remote controller .
It includes instructions on how to operate the FPV DUO.

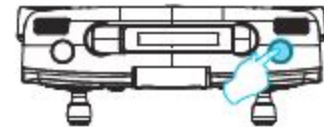


Photo and Video Capture

Photo/Video

Photo: Tap the photo/video button on the remote controller to take a photo.

Video: Press and hold the photo/video button on the remote controller to begin the video recording. Press and hold the photo/video button again to stop recording.



One Key Unlock/Landing

- Tap the One Key Unlock/Landing button, and the aircraft will unlock.
Pull up on the throttle stick, and the aircraft will fly up.
- Tap the same button to land.

Emergency Stop

Press and hold the Emergency Stop button for 3 seconds to stop the flight immediately.

IMPORTANT: Only do this in urgent, emergency situations as it may cause the aircraft to crash.

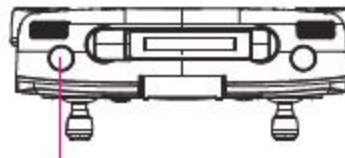


- One Key Unlock/One Key Landing Button (Press)
- Emergency Button (Press and Hold)

Speed Adjustment

Your aircraft has three speed modes. To cycle through the speed modes, press the Speed button. The speed changes mode every time the button is pressed. Each speed mode is identifiable by a series of beeps. The default speed for the aircraft is low speed.

- Low Speed Mode: One beep
- Medium Speed Mode: Two beeps
- High Speed Mode: Three Beeps



Speed

(30%: Low Speed (slow) ; 60%: Medium Speed ;
100%: High Speed (Fast))

Point of Interest (Surrounding Flight Mode)

When activated, Point of Interest will make the aircraft circle around a desired point of interest.

To activate Point of Interest, aim the aircraft at the desired point of interest and then press the Surrounding Flight Mode button on the remote controller. The aircraft will emit a beep sound.

Activating Point of Interest:

1. Push the right throttle stick to the right to make the aircraft circle the target clockwise while focusing on the target.
2. Move the right throttle stick forward and backwards to change the radius distance between the aircraft and the point of interest.
3. Continue moving the right throttle stick to the right to make the aircraft increase its flight speed. Move the right throttle stick to the left to make the aircraft decrease its flight speed. When in a lower speed by continuing to move the right throttle left, you will make the aircraft circle the target counter clockwise while focusing on the target.



Test Flight

Basic Flight Operation Steps

1. Place the aircraft in a wide open area so that you are directly facing the front of the aircraft.
2. Turn on the aircraft and Remote Controller.
3. Connect the Remote Controller with the aircraft and then proceed to the aircraft initialization steps.
4. Connect the FPV Goggles with your drone.
5. Unlock the aircraft after the gyroscope detection of the aircraft is complete.
6. Pull up the throttle stick and the aircraft takes off. Control the aircraft using the left and right sticks.
7. Pull down the throttle stick to land the aircraft.
8. Turn off the aircraft.
9. Remove the battery from the aircraft and then turn off the Remote Controller.

Video Suggestion and Tips

1. Do a pre-flight checklist.
2. Camera shooting angles can be adjusted by hand.
3. Fly in good weather with no wind.
4. Perform test flights to establish flight routes and to preview scenes.
5. Push the control stick gently to keep the aircraft movement smooth and stable.

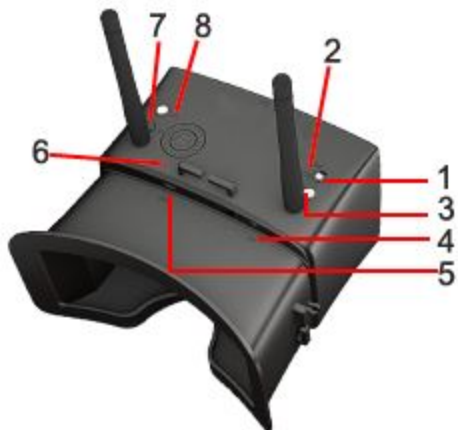


Please keep proper operation and flight safety guidelines in mind for your own safety and others around you as well.

PART 5: FPV Goggles

This section explains the functions of the FPV DUO Goggles.

Main Functions



1. Power: ON/OFF
2. Power indicator light: Turns blue after powering on
3. S: Channels switching
4. AV: AV input interface
5. USB: MICRO USB charging interface
6. Charging indicator light: Turns red when charging, and turns off when fully charged
7. B: Band switching
8. CH: Channel auto-searching, opens Setting options

No.	Name	Function
1	Power switch	<ul style="list-style-type: none">• Push the switch to turn on / off
2	Power indicator	<ul style="list-style-type: none">• Turns blue after powering on
3	S	<ul style="list-style-type: none">• In 5.8G mode, press the "S" button to switch the channels, from high to low• Used as "+" when in the Settings menu
4	AV	<ul style="list-style-type: none">• Switches to AV mode automatically when connected with AV devices, and goes back to 5.8G mode when disconnected with AV devices.
5	USB	<ul style="list-style-type: none">• USB port used for charging (DC 5V power)
6	Charging indicator light	<ul style="list-style-type: none">• Turns red when charging, turns off when full charged
7	B	<ul style="list-style-type: none">• In 5.8G mode, press the "B" button to switch the channels, from low to high• Used as "-" when in the Settings menu
8	CH	<ul style="list-style-type: none">• Long press to auto search the channels.• Short press to open the goggle's screen Setting options.

Operation

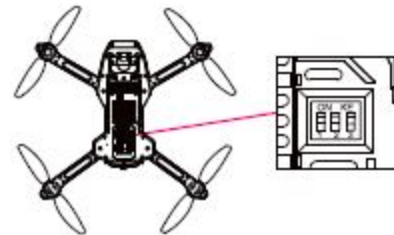
Screen Size: 4,3 inches
 Resolution: 480X272 pix
 Brightness : 500cd / m2 of high brightness, for outdoor use
 Field of view: 0/120 degrees (horizontal / vertical)
 Magnification: 2.8x
 Distortion: No distortion
 Material: PMMA
 Transparency: > 93%
 Power consumption: 0.6W in AV In mode, 1.8W in RF mode
 RX: Built-in 3CH 5.8G HZ, A/V auto-searching receiver
 DUO Design: Combines the best performance of a circular combination with the RX and allows two types of antennas at the same time , Omni directional / Straight Antenna
 Working temperature: -10℃-80℃
 Storage temperature: -20℃-90℃
 Product weight: 280 g
 Product size: 150mmX82mmX145mm

Note: If more than 2 users fly their FPV DUO aircrafts at the same time, please set different channels to avoid goggle interference.

3 Channels for the FPV DUO are as follows:

CH Name	CH No. On VR	CH Setting On Drone
CH1	5765	↓↓↓
CH2	5785	↓↑↑
CH3	5805	↑↓↓

Note: The drone's Channel setting is located on the bottom side of the drone, with three switches as shown in the image.



BOTTOM VIEW

Screen Settings

1. Short press the "CH" button to open the goggle's screen setting options. The settings appear on the bottom of the goggle's screen.
 2. To scroll through the settings, short press the "CH" button.
 3. To change the selected setting:
 - Press the "B" button to decrease the level; or go to the previous option within the setting.
 - Press the "S" button to increase the level; or go to the next option within the setting.
- Note: To change the setting's option quickly, press and hold the "B"/"S" button.

The Setting options include:

1. Brightness (0-100; default is 50)
2. Contrast (0-100; default is 50)
3. Saturation (0-100; default is 50)
4. Tint (0-100; default is 50)
5. Language (selects on-screen language; default is English)
6. Mode (screen aspect ratio: 16:9(default); 4:3)
7. Reset (resets to factory settings)

Please adjust the FPV DUO Goggle's screen settings as to your preference.

PART 6: Important Statements

- This aircraft is not a toy. It should be assembled and operated properly. Pilots must operate this aircraft in a safe way. Improper operation may cause injury or property damage.
- This aircraft is suitable for pilots aged 14+ who have experience piloting an aircraft styled aircraft.
- The manufacturer of this product is not responsible for damages caused by misuse.
- Keep small accessories away from children and the infirm to avoid accidents.

Flight Safety Guidelines

Users should firmly uphold the principle of "safety comes first" when flying this aircraft. Never fly the aircraft near airports, above crowds or in zones storing dangerous goods and be mindful of the damage that can be caused by improper operation.

- Stay away from obstacles, crowds, power lines, trees or water. Always choose a wide open area for every flight, well away from people and property. Never fly directly over people or animals. Don't fly in bad weather conditions, high temperature, snow, strong wind (\geq level 5), rain or fog. Maintain a 7ft (2m) distance from the aircraft when taking off and landing.
- Keep the aircraft in a dry environment. The aircraft is composed by sophisticated electronic components and mechanical parts. To avoid damage of the mechanical and electronic components, please keep the aircraft in a dry environment and use a clean, soft cloth to wipe the surface and keep it clean.
- Practice flying together with a skilled, experienced pilot. Beginners are recommended to practice flying with a skilled pilot's guidance. Do not fly alone.
- Keep proper operation and safe flight guidelines in mind. Please take a careful look at this manual before flying for important information regarding the product's functions and operating tips. Stay informed of and abide strictly by relevant local laws and regulations. Keep away from any non-flight zones and respect other people's privacy.
- Safe flying. Please make sure you are in good shape mentally before every flight. Fly the aircraft as per your flying experience. Never fly under influence of alcohol or drugs. Keep the Remote Controller at least 20 cm away from your body when flying the aircraft.
- Keep distance from a flying aircraft. Never use your hands to touch a flying aircraft under any circumstance. Don't approach and touch a landed aircraft before its propellers are completely locked.

- Keep away from heat sources

This aircraft is made of metal, fiber, plastic, electronic components and other materials. Please keep it away from heat sources to avoid deformation or even damage caused by sun exposure and high temperature.

- Environmental protection requirements

To protect our lovely planet, please recycle this aircraft as per local laws and regulations.

FCC Compliance Statement

Changes or modifications not expressly approved by the party responsible for compliance could void the user's authority to operate the equipment.

This device complies with Part 15 of the FCC Rules. Operation is subject to the following two conditions: (1) this device may not cause harmful interference, and (2) this device must accept any interference received, including interference that may cause undesired operation.

This equipment has been tested and found to comply with the limits for a Class B digital device, pursuant to Part 15 of the FCC Rules. These limits are designed to provide reasonable protection against harmful interference in a residential installation. This equipment generates, uses and can radiate radio frequency energy and, if not installed and used in accordance with the instructions, may cause harmful interference to radio communications. However, there is no guarantee that interference will not occur in a particular installation.

If this equipment does cause harmful interference to radio or television reception, which can be determined by turning the equipment off and on, the user is encouraged to try to correct the interference by one or more of the following measures:

- Reorient or relocate the receiving antenna.
- Increase the separation between the equipment and receiver.
- Connect the equipment into an outlet on a circuit different from that to which the receiver is connected.
- Consult the dealer or an experienced radio/TV technician for help.

VIVITAR 1 YEAR WARRANTY

This warranty covers the original consumer purchaser only and is not transferable.

This warranty covers products that fail to function properly UNDER NORMAL USAGE, due to defects in material or workmanship. Your product will be repaired or replaced at no charge for parts or labor for a period of one year.

What Is Not Covered by Warranty

Damages or malfunctions not resulting from defects in material or workmanship and damages or malfunctions from other than normal use, including but limited to, repair by unauthorized parties, tampering, modification or accident.

To Obtain Warranty Service and Troubleshooting Information:

Call 1-800-592-9541 in the U.S. or visit our website at www.vivitar.com.

Sakar International Inc

195 Carter Drive Edison, NJ, 08817, USA

To receive Warranty service along with the name and address of an authorized product service center, the original consumer purchaser must contact us for problem determination and service procedures. Proof of purchase in the form of a bill of sale or receipted invoice, evidencing that the product is within the applicable Warranty period(s), MUST be presented in order to obtain the requested service. It is your responsibility to properly package and send any defective products along with a dated copy of proof of purchase, a written explanation of the problem, and a valid return address to the authorized service center at your expense. Do not include any other items or accessories with the defective product. Any products received by the authorized service center that are not covered by warranty will be returned unrepared.

