

Title

Label specification

# ANIMA

Date

2018-02-01 17:13

Revision

A

Document ID

Document responsible

Mikael Henning

Confidentiality

Confidential

This document is managed in

Sharepoint

## LABEL SPECIFICATION BT003

### INTRODUCTION

There are 5 labels on the finished product.

1. **Sales item label** - Printed label on the sales item (box)
2. **Protection film** - Back side protection film with printing on the product
3. **Back cover markings** - Etchings on the back cover on the product
4. **Back cover inner label** - Printed label on the inside of back cover on the product
5. **Movement label** - Printed label on the movement on the product

SALES ITEM LABEL

Example

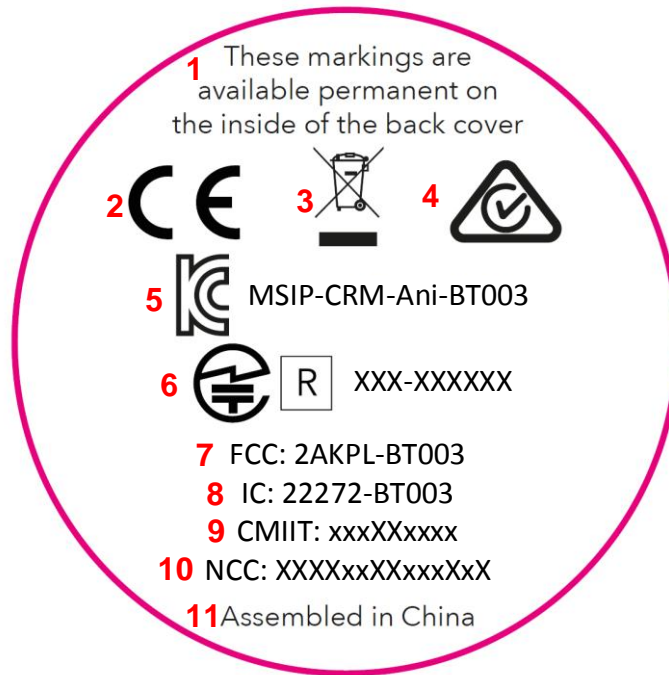


Nbr	Description	Value
1	Model SKU number	n/a
2	Model SKU description	n/a
3	Model number EAN/GTIN13 barcode	n/a
4	FCC ID (USA)	2AKPL-BT003
5	ISED IC ID (Canada)	22272-BT003
6	CMIIT ID (China)	Pending
7	NCC ID (Taiwan)	Pending
8	Country of origin statement	"Assembled in China"
9	PLG ID (Indonesia)	Pending
10	NCC logo (Taiwan)	Pending
11	IDA statement (Singapore)	Pending
12	MCMC logo (Malaysia)	Pending
13	CE logo (EU)	n/a
14	WEEE dustbin logo (EU)	n/a
15	RCM logo (Australia & New Zealand)	n/a
16	Serial number CODE128 barcode	n/a
17	Serial number, textform	n/a
18	Production week	n/a

WATCH MARKINGS

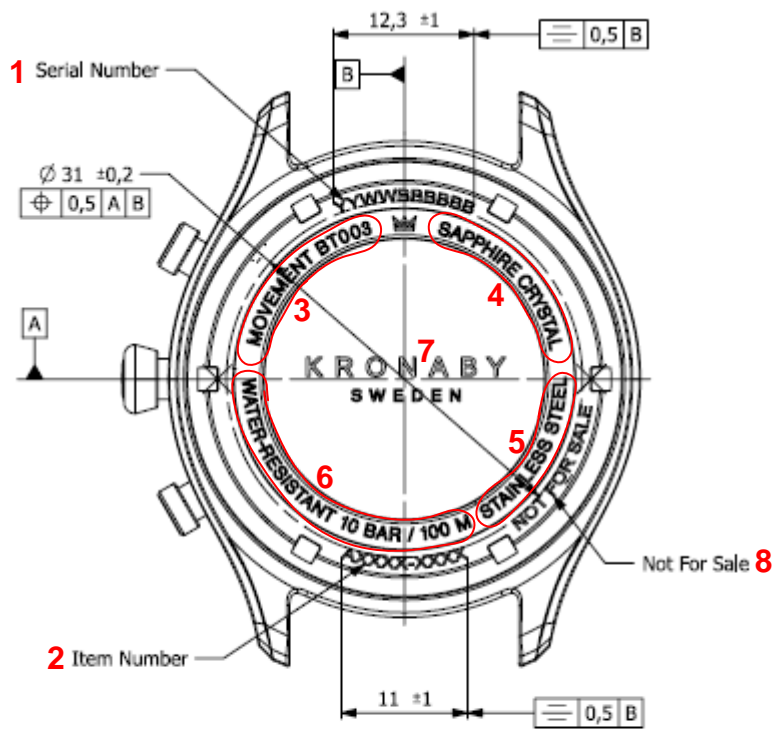
PROTECTION FILM WITH LABELS

Example



Nbr	Description	Value
1	Information	n/a
2	CE logo (EU)	n/a
3	WEEE Dustbin logo (EU)	n/a
4	RCM logo (Australia & New Zealand)	n/a
5	KC logo + certification number (South Korea)	MSIP-CRM-Ani-BT003
6	MIC logo + certification number (Japan)	Pending
7	FCC ID (USA)	2AKPL-BT003
8	ISED IC ID (Canada)	22272-BT003
9	CMIIT ID (China)	Pending
10	NCC logo & ID number (Taiwan)	Pending
11	Country of origin statement	"Assembled in China"

BACK COVER MARKINGS



SCALE 2:1

Laser Marking: Item Number, Serial Number, Not for Sale  
According to document Item Number Specification

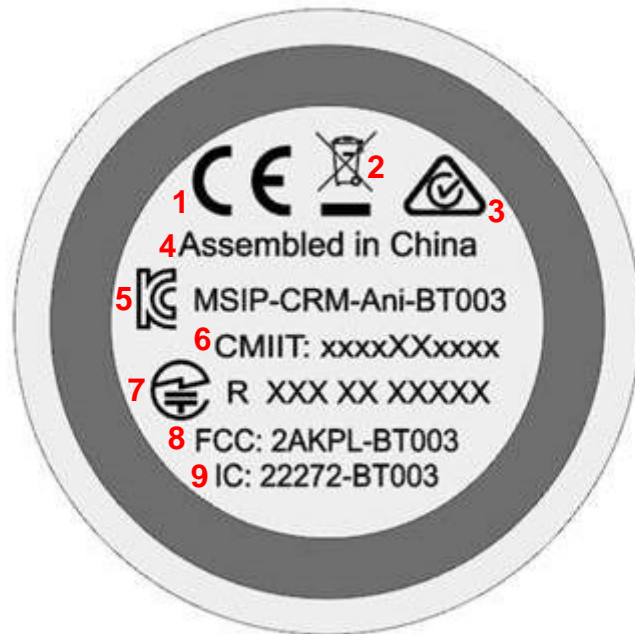
Laser etched  
Font: Proximity Nova Light  
Font height: 1.0mm

Nbr	Description	Value
1	Serial number	n/a
2	Model verison number	n/a
3	Model name	BT003
4	Watch glass material	SAPPHIRE CRYSTAL
5	Casing material	STAINLESS STEEL
6	Water resistance statement	10 BAR / 100 M
7	Manufacturer name	KRONABY
8	Prototype marking ( <b>not</b> present in released version)	Not for sale

INNER MARKING

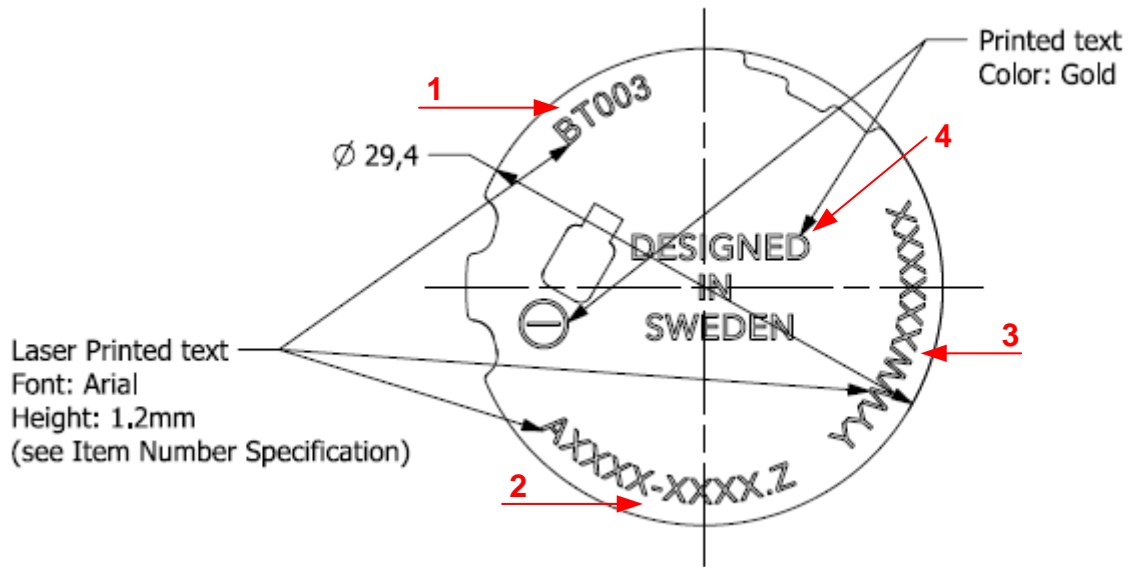
**Back cover inner label**

Example



Nbr	Description	Value
1	CE logo (EU)	n/a
2	WEEE Dustbin logo (EU)	n/a
3	RCM logo (Australia & New Zealand)	n/a
4	Country of origin statement	"Assembled in China"
5	KC logo + certification number (South Korea)	MSIP-CRM-Ani-BT003
6	CMIIT ID (China)	Pending
7	MIC logo + certification number (Japan)	Pending
8	FCC ID (USA)	2AKPL-BT003
9	ISED IC ID (Canada)	22272-BT003

## Movement label



Nbr	Description	Value
1	Model name	BT003
2	Model verison number and revision*	n/a
3	Serial number	n/a
4	Country of design statement	DESIGNED IN SWEDEN

\* Note that ".Z" is not used in this first revision for example called A1000-1613, when revised the second revision would be called A1000-1613.1, the third A1000-1613.2 etc.

## REVISION HISTORY

<b>Revision</b>	<b>Description</b>	<b>Responsible</b>	<b>Date</b>
A	First revision	Mikael Henning	20171221