

Bluetooth Receiver

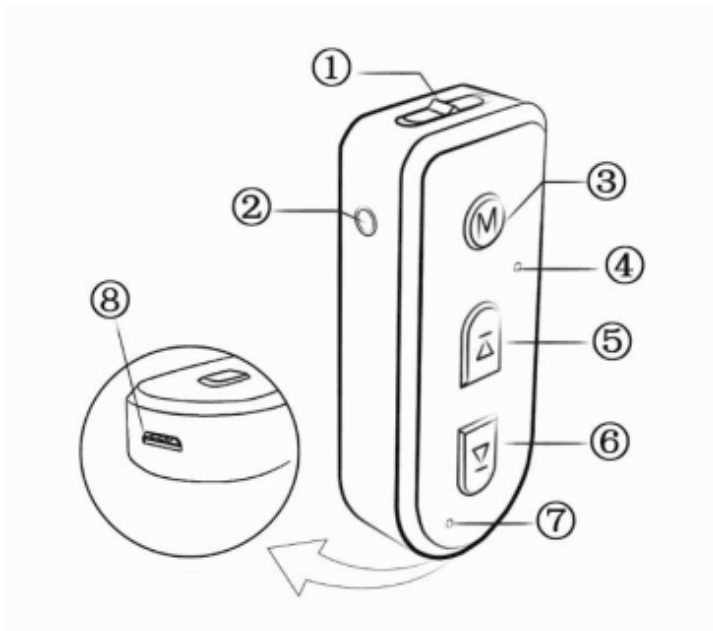
User Manual

Please read this manual carefully before use.

Product Description

This bluetooth receiver is especially designed for car stereos/speakers/headphones and most mobile devices with 3.5mm aux in port, make ordinary speakers instantly become wireless bluetooth stereo speakers, wirelessly stream music and calls from you smart-phone to your car or home stereo.

Product Diagram



- 1.Power Switch
- 2.3.5mm Audio Jack
- 3.Multi-function Button
- 4.Microphone
- 5.Previous Button
- 6.Next Button
- 7.Bluetooth Indicator Light
- 8.Charge USB Port(5V/1A)

Packing list

1. Bluetooth receiver 1 pcs
2. 3.5mm audio line 1pcs
3. Lotus audio line
4. Charge cable 1pcs
5. User manual 1 pcs

Specifications

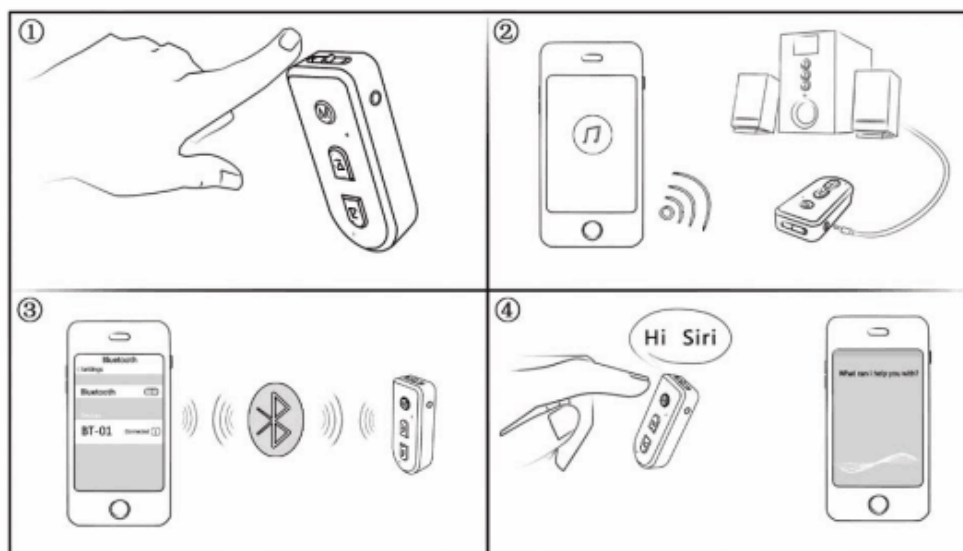
Bluetooth specification: V4.0+EDR
Bluetooth Operating distance: 30 feet
Running time: about 13H
USB input: 5V/1A

Operating Guide

Step1: Slide switch power on the bluetooth receiver and the indicator flashes means it's ready to pair.

Step2: Connect bluetooth receiver with your speaker via 3.5mm audio cable.

Step3: Enable bluetooth on your smart-phone in the settings, search "BT-1" and tap on it to start pairing, when successfully paired, the bluetooth indicator will illuminate blue.



Play music

1. After your smart-phone is paired with the bluetooth receiver, play your music on your smart-phone.
2. You can adjust the volume on your smart-phone.
3. Press the Multi-function Button to pause or resume the audio.
4. Press the Previous Button or the Next Button to select your favorite music.

Make/Answer a call

1. When you make a phone call or answer an incoming one, the bluetooth receiver will automatically pause the audio.
2. Press the Multi-function Button to answer incoming calls, press this button once again to end the call, your audio will be automatically resume.

Redial the last call

Double press the Multi-function Button.

Reject a call

Press the Previous Button or the Next Button.

Enable Siri

For a better IOS user experience, add the Siri function to this bluetooth receiver, activate the voice software by long press the Multi-function button.

Remark

1. It will connect to the last paired device automatically when turned on next time. (Turn on the bluetooth of your smart device first)
2. This bluetooth receiver can connect two bluetooth devices at the same time (step 1: paired with the first smart-phone then turn off the smart-phone's bluetooth step 2: paired with the second smart-phone then enable bluetooth on your first smart-phone tap on it to restart pairing).
3. For the best audio quality, please turn the volume of your smart device into the max level.
4. If the bluetooth receiver low battery, the red indicator will be flash, please to charge the BT-1 (5V/1A input), when charging finishes, the red indicator light will turn off.

Troubleshooting

Once the pairing process is completed, the connection can break for the following reasons:

- a. The distance between the devices is greater than 30'(10m) or there are obstacles (e.g.: walls, furniture, etc) between them.
- b. One or both of the devices has been turned off or must be charged.
- c. Connection has not been made within a specific time and the device is in sleep mode or powered off. Turn on/off both devices to re-connect or transmit audio. Please try the following:
 1. Restart (on/off) the bluetooth receiver.
 2. Restart and repeat pairing process for both devices.
 3. Recharge both devices.

This device complies with Part 15 of the FCC Rules. Operation is subject to the following two conditions:

(1) this device may not cause harmful interference, and (2) this device must accept any interference received, including interference that may cause undesired operation.

changes or modifications not expressly approved by the party responsible for compliance could void the user's authority to operate the equipment.

This equipment has been tested and found to comply with the limits for a Class B digital device, pursuant to Part 15 of the FCC Rules. These limits are designed to provide reasonable protection against harmful interference in a residential installation. This equipment generates, uses and can radiate radio frequency energy and, if not installed and used in accordance with the instructions, may cause harmful interference to radio communications. However, there is no guarantee that interference will not occur in a particular installation.

If this equipment does cause harmful interference to radio or television reception, which can be determined by turning the equipment off and on, the user is encouraged to try to correct the interference by one or more of the following measures:

- Reorient or relocate the receiving antenna.
- Increase the separation between the equipment and receiver.
- Connect the equipment into an outlet on a circuit different from that to which the receiver is connected.
- Consult the dealer or an experienced radio/TV technician for help.