

User Manual

VER:NDL-W10-V1.1

1.Function Introduction

Thank you for purchasing our hunting camera. This is a high-definition digital camera dedicated to support recording and observing wild animals. The hunting camera uses pyro-sensing animal (or human body) sensing technology to automatically shoot high-definition pictures and smooth videos. This hunting camera will be in a state of energy saving when there is no detection of the animal (or human body) which can be alerted for a long time. In order to operate the camera easily and quickly as soon as possible, please read this manual carefully before using, so that you can master the using method quickly and correctly.

The contents contained in this manual refer to the latest information when the manual is written. Due to different technical development and production batches, it may be slightly different from your actual use. Please refer to the actual product functions.

2.Notice For Use

- Before using this product, please find the battery container and put the battery first, then put into eight pieces of 1.5VAA batteries, also make sure the battery polarity is correct.
- When using a power adapter, please find the DC port at the bottom of the camera, and plug it in at the end of the power adapter to supply power.(Note: Use the DC 6.0V/2A adapter,plug 3.5x1.35mm)
- If you use a newly purchased memory card for the first time, make sure to format the memory card before using it.

1

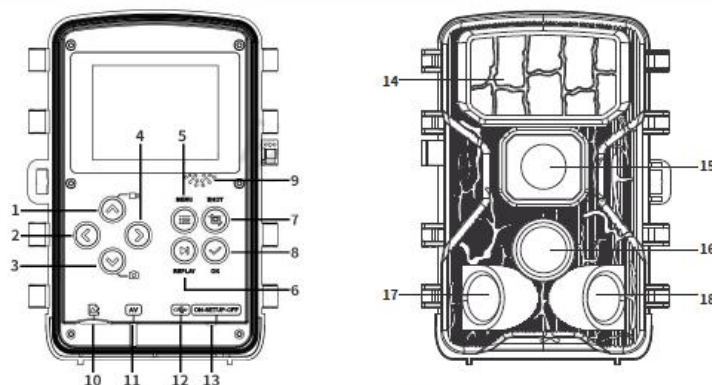
- This camera must use C10 or higher grade high speed TF card which is a famous brand.

The usage of the memory card is as follow:

- According to the instruction next to the memory card slot, push the TF card into the slot until the card is fully inserted pop up.
- To remove the TF card, gently press the end of the memory card inward, and the memory card will pop out.
- If repeated use or improper use, the memory card will reduce its performance or the recorded data may be damaged, you need to buy a new memory card.

Note: The memory card will become hot after long-term use, which is normal.

3.Appearance, Button Function Introduction



2

1.Up Button	7. SHOT Button	13. ON, SETUP, OFF Mode
2. Left Button	8. OK Button	14. LED Light
3.Down Button	9. Speaker	15. Lens
4.Right Button	10. TF Slot	16. Main PIR
5. MENU Button	11.AV Interface	17.Left Secondary PIR
6.REPLAY Button	12. USB Interface	18.Right Secondary PIR

Buttons	Functions
Up Button	<ol style="list-style-type: none"> 1. Short press in the setup menu mode to select upwards. 2. When setting time or password, press this button for upward selection function. 3. Long press for 3 seconds to turn on WIFI in the preview interface, and short press to turn off WIFI. 4. In the photo preview interface, short press Up button to switch to the video preview interface. 5.Enter playback, short press Up button to switch files.
Down Button	<ol style="list-style-type: none"> 1. In the setup menu mode, short press to select down 2. When setting time or password, press this button for downward selection function. 3. In the video preview interface, short press Down button to switch to the photo preview interface 4.Enter playback,short press down button to switch files.

3

Left Button	When setting the menu monitoring period,time lapse, time and date setting, password setting, serial number, WIFI SSID, WIFI password, press left button to left selection.
Right Button	When setting the menu monitoring period,time lapse, time and date setting, password setting, serial number, WIFI SSID, WIFI password, press right button to right selection.
MENU Button	<ol style="list-style-type: none"> 1.Open and Exit setup menu function 2.In the playback mode, short press can pop up the delete menu function.
PLAY Button	In the preview screen, press PLAY to enter the playback menu and view the shot file. Press again to exit the playback menu
SHOT Button	Video recording/capturing function
OK Button	<ol style="list-style-type: none"> 1.In the menu setting, short press to confirm the function 2.In the playback mode, short press to play and pause the video function.
AV interface	1.Open the front cover, use AV cable to connect to the AV interface on the right side of the camera to transfer the files of the TF card to play on the TV screen.

4.System Settings

1.Power on and off /System settings

●After putting the battery in, push the mode from "OFF" to "SETUP" to startup, and then you can set the function.

4

- Press the MENU button to set the system menu setting, the left and right buttons to switch in various modes, press the up and down buttons to enter the menu function settings, and press the MENU button again to return to the previous menu or exit to the preview interface, shown as below picture:



- Press the up or down button to switch between photo and video mode.
- Switch to the ON for monitoring mode: each function will be performed when the setting is pushed to the ON position in each mode of photo, video, video + photo.
- Switch to "OFF" to shut down state, the LCD will display nothing.

2. Working mode

- The camera has three modes: Photo mode, Video mode, Photo + Video mode
- Photo mode:
- The photo resolution setting, there are:

30M (7392*4160)	24M (6544*3680)	20M (5888*3312)
16M (5376*3024)	12M (4608*2592)	8M (3840*2160)
5M (2960*1664)	3M (2400*1344)	2M (1920*1088)

5

The larger the size is, the higher the image resolution is, the fewer photos can be stored by the memory card.

- Video mode:
- Select the video resolution Settings:

4K/30Fps(3840*2160P)	2K/30Fps (2560*1440P)
1296P/30Fps(2304*1296)	1080p/30Fps(1920*1080P)
720P/30Fps(1280*720P)	480P/30Fps(848*480P)
360P/30Fps(640*368P)	

The video definition increases with increase of the video resolution, leading to shorter video storage time. Likewise, the video definition decreases with decrease of the video resolution, leading to longer video storage time.

- Photo + video mode: In on mode, the camera takes pictures first then record videos.

Note: when the machine is working on "SETUP" mode, and hasn't operated the machine for more than a certain period of time, in order to save electricity, the machine will automatically shut down, the user can click any button to open the screen to restore the display.

3. PIR Interval

- Set the PIR interval. When you choose different modes, the set time period is different.
- Photo: PIR interval setting time (between 5 seconds and 60 minutes).
- Video and photo + video: PIR interval setting time (between 10 seconds and 60 minutes).

6

4.PIR Sensitivity

●The sensitivity of the main sensor should be set to“high sensitivity” when the indoor environment is less impacted. “Medium sensitivity” should be selected when the outdoor environment is impacted;“Low sensitivity” should be selected when the external environment is largely impact, and it is suitable for cold environment.

5.IR LED

●Option: Auto, Economy, OFF.

●Auto: If it is shooting at night, it will automatically adjust the light brightness reasonably according to the current battery power usage.

●Economy: As long as the IR led light is turned on, the light will be in a weaker brightness to make the battery life longer.

●OFF: When it is turned off, the IR light will not be turned on when the light is dark or completely black.

Remark: It is recommended to use the "Auto" option to automatically adjust the brightness of the IR-LED light according to the battery power status.

6.Side PIR Setup

●It can be set to open or close. After closing, the sensors on both sides will not be turned on.

7. Time Lapse

●Set the camera timing interval for each recording in the monitoring mode, you can set the hours, minutes and seconds.(Note: when this function is turned on, the primary/secondary sensors does not work.)

8. Monitoring Period

●Set the camera to work during the monitoring period. When the monitoring period is

7

turned on, you can set the start time and end time of the camera's work. After setting up, the camera will only work within the set time every day, and the other time will be in standby state,you can set the hours,minutes,seconds.(Note:When this function is turned on,the PIR primary and secondary sensors will not work.)

9.Continuous

●Burst Photo option: 1-10

10.Shutter speed

●Shutter speed option: 1/15、 1/20、 1/30, the night vision is different in brightness

11.Video length

●Set the video length (5-180 seconds optional), the longer you choose, the longer the video recording time is, the system presets the video length to be 5 seconds.

12.Video Audio

●Option: “ON” or “OFF”, when it is turned on, there is sound in the recorded video; when it is turned off, there is no sound in the recorded video.

13.Date/Time

●Time & Date: Adjust the corresponding time and date according to the local time, then press up/down to modify the size of numerical value, press the left/right button to confirm the current value and enter the next setting option; in the year/month/day format: press the up/down button to select the format (YY/MM/DD, MM/DD/YY, DD/MM/YY). After setting, press OK/MENU to return to the previous menu.

14.Time Format

●Option: 12 or 24 hours settings.

15.Date Stamp

●When this function is turned on, the captured file has watermarks such as time/date/-temperature, when this function is turned off, there is no watermark display.

16.Camera Name

●The camera name can be set, and it will be displayed in the watermark of the video and picture taken.

17.Password Setting

●Set the camera's power-on password: open the password setting, you can set the 4 digits plus letter combination between 0-9 and AZ, if you forget the power-on password, please use the universal password to unlock. The unlock method is: enter "1111", at the same time, turn the mode button to SETUP mode, and the camera will be unlocked at this time.

18.Bluetooth

●When the Bluetooth is ON, mobile can search to find the Bluetooth, when it is OFF, no Bluetooth can be searched.

19. WIFI name

●The WIFI SSID name can be modified, after the modification, WIFI name will be presented, mobile phone can search this WIFI SSID name.

20: WIFI password

●Set the WIFI password, after set it successfully, enter this password when the mobile phone is connected to WIFI camera.

21. Automatically turn off WIFI

9

●Set the camera to automatically turn off the WIFI time, you can choose 1 minute / 2 minutes / 3 minutes. When the camera is in monitoring or SETUP mode, after turning on the WIFI or after connecting to the WIFI and using the APP, the phone is disconnected from the camera, after reaching the camera default "automatically turn off WIFI" time, the camera will automatically exit WIFI and automatically return to ON (monitoring) or SETUP mode.

22.Beep Sound

●Option: ON or OFF, when set to off, the button and switch sound are both muted.

23.Language

●This hunting camera can support multiple languages

24.Format

●Format the TF card, all data will be cleared after formatting.

25.Default Setting

●All functions default to initial state when default setting.

26.Playback mode

●Remove the hunting camera from the installed position, switch the button from "ON" to SETUP, press REPLAY button to enter the playback mode, press left/right to view the videos and pictures. Press OK to stop/play, and press REPLAY button to return to preview menu. During the playback, press the up button to fast forward playback 2 times, 4 times, 8 times; press the button to fast backward playback -2 times, -4 times, -8 times. If you don not want to play the current video during the playback, press the REPLAY button to exit the current playback.

10

- In the playback interface, press the MENU button to enter the recovery setting menu (delete/protect) as shown in the picture.



5. Turn on WIFI by Bluetooth Remote

1. Bluetooth remote control to open WIFI and connect APP

- (1) Before using WIFI, Android device please search "Hunting 4K" in Google play and install, IOS device please search "Hunting 4K" in Apple Store and install.
- (2) You can scan the QR code to download the "Hunting 4K" APP



Android/IOS

- (3) Turn on Bluetooth

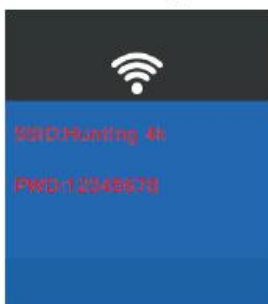
- Enter the settings of the mobile phone to turn on Bluetooth or click "TURN ON BLUETOOTH" on the APP "Hunting 4K". At this time, it will prompt "Hunting 4K wants to turn on Bluetooth.". Select "Allow" to turn on Bluetooth (Note: This is required when the Bluetooth of the mobile phone is turned off. operating)

11



- (4) Open the WIFI to connect mobile phone manually

- Manually turn on WIFI: when SETUP mode is set, press 3 seconds on the video or photo preview interface to turn on WIFI, and the indicator light will shine. The "WIFI" interface will be displayed on the screen as shown as below picture 1. Enter the WLAN on the phone, connect corresponding WIFI name and enter password, return to the App and click "SKIP", and the click "+" to enter the APP real-time preview interface.

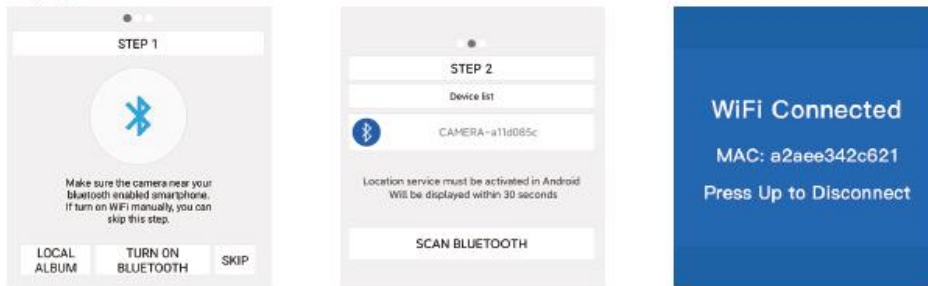


- (5) Bluetooth opens WIFI to connect the camera:

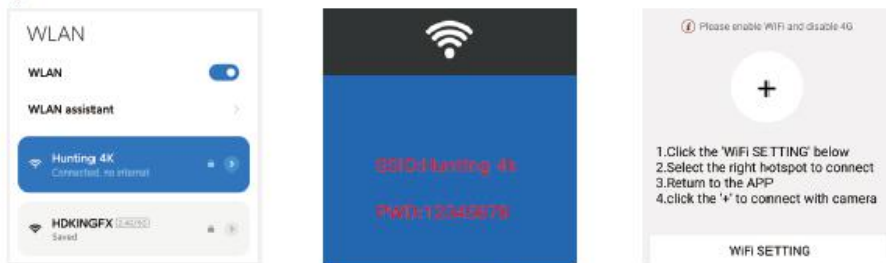
- Set the camera in SETUP or ON mode → Click "TURN ON BLUETOOTH" in the App

12

→Enter the Bluetooth list→Search for Bluetooth named CAMERA-***** (eight *s are randomly generated codes), select corresponding Bluetooth to pair→select “TURN ON WIFI”, The camera WIFI is activated at the same time as the countdown, the screen displays as shown below.



●Select “WiFi Settings” in the mobile APP, jump to the WLAW interface → search for the WiFi name corresponding to the camera “Hunting 4K”, enter the password: 12345678, connect successfully (the camera screen shown as the picture 2) → return to the APP and click “+” (Note: if you cannot use the +, please turn off the 4G network first).

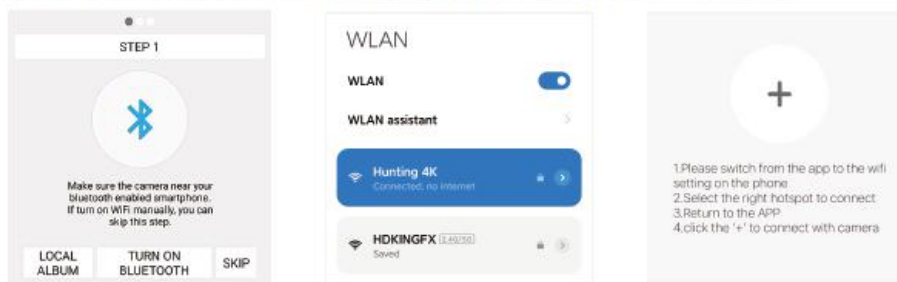


13

Modify the name of Bluetooth: the camera is in Setup mode or ON mode → click “TURN ON BLUETOOTH” ON the mobile APP → select the corresponding name of Bluetooth → click “RENAME BLUETOOTH” to modify it. Enter at most 12-digit letters or numbers, the prefix CAMERA of Bluetooth name cannot be modified.

2.The operation difference between IOS and Android system :

●Operation of mobile phone in IOS system is as shown below. Click “TURN ON BLUETOOTH”, select the corresponding Bluetooth name of the camera, click “TURN ON WiFi”, jump to the “+” interface to exit the APP, enter the “Settings” of mobile phone, WLAN, select the corresponding WIFI name “Hunting 4K” and enter the password to connect. After successful connection, return to APP and click “+” to use it.

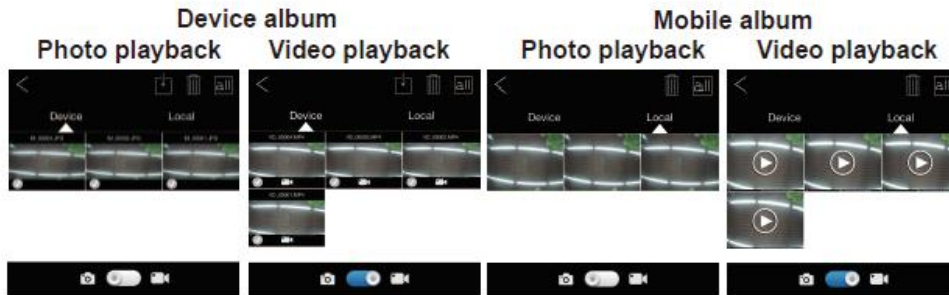


Note: after successful connection, the hunting camera will enter the screen protection state about 3 minutes; if you operate again, press any key on the camera, and the camera screen will light up again.

●We can real-time preview the picture on APP, and operate video recording ,photography, menu settings, file playback/download/remove

(**Note:** using more than 1080P resolution online play or download due to the large amount of data, upload or download speed too slowly is a normal phenomenon)

14



5.WIFI Exit WIFI

Method 1: Click "Exit" ON the upper left corner of the APP preview interface, and the camera will automatically enter "ON(Monitoring) Mode"or "Setup Mode".

Method 2: Press "UP" key to exit WIFI, the camera return to video interface, and indicator light turn off.

●After the camera turns on the WIFI or connects to the APP, and forgets to close or exit the camera terminal WIFI, the camera is disconnected from the mobile phone network, and the camera automatically exits the WIFI after the camera's default "Automatically turn off WIFI" time, and the camera automatically returns to ON (Monitoring) or SETUP mode.

	Video Mode		Photo Mode
	Playback Mode		APP Menu setting
	Return to Previous MEUN		Multi options
	Delete		Download

15

6.Working Mode Description

1. Calibrate the installation position of the camera

In the "SETUP" mode, the best shooting angle and range of the camera can be adjusted.

●During calibration, you can choose whether to use the side sensor for observation.

The steps to calibrate the camera position are as follows:

●Tie the camera to a tree or an object 1~2meter high, adjust the camera lens direction, and then slowly move the camera to the other side to monitor the motion track.

●If the indicator light of the corresponding auxiliary sensor is on, it means that the auxiliary sensor has detected moving object. If the indicator light of the corresponding main sensor is on, it means that the main sensor has detected moving object. In this way, the best position for installing the camera can be calculated.

●The indicator light will be on only when the sensor detects moving objects in the "SETUP" mode, and the LED is off in the "ON" mode.

●Make sure that the camera will not be interfered unnecessarily when it is working, and avoid direct sunlight or near the branches.

2. Normal operation mode

●In this mode, the camera is triggered to shot by the sensor , the camera enters monitoring mode when the switch is "ON". After 5 seconds, the LED lights will turn off and the camera starts to operate independently and enter the standby mode. Once an animal enters the detection area detected by the side sensor, the camera will be activated and detect the motion track. If the animal continues to move to the main sensor detection area, the camera will take photo or record video automatically, If the animal leaves the area detected by the main sensor, the camera will turn off and return to standby mode.

16

3. Night mode

●At night, the infrared LED light will turn on automatically to provide necessary lighting for taking photos. The LED light illuminates with a range of about 3-20 meters. If the animals are too close to the camera, it may cause overexposure.

●In the night mode, the picture or video is only black and white. When recording video for a long time, low voltage may have a big effect on the stability of the camera, so DO NOT record video at night when the power is low.

Note: the camera is used at night. When the battery voltage is low, the current increases due to the infrared light. Low battery may have a big effect on the stability of the camera. The camera cannot take photos / video or take very dark images, but it does not affect the daytime photo or video.

7. Image / Data Output

1. TV Connection

This camera can transmit video to external monitor or TV set. Please follow the instructions below.

- Turn on the TV and connect the TV to the camera with AV data cable.
- Turn on the camera and turn the switch to "SETUP".
- After successful connection, the camera will enter the playback mode, and the LCD screen will turn black, and the captured picture will be displayed on the TV screen.

2. Connect to your computer to download photos/videos

●After the camera is connected to the computer and enters the removable disk mode, a removable disk will be added in the "My Computer" window. Taken photos or videos will be stored in the "DCIM\100MEDIA" directory on the removable disk. You can enter this directory to copy files to your computer hard disk.

17



Note: Do not disconnect the data cable during file downloading to avoid data loss, and do not plug or unplug the memory card when connected

8. Technical Specification

Product name	Digital Trail camera
Chipset	NT96675
Sensor	GC4653
LCD SCREEN	2.4 inch
lens	4G
photo resolutions	30M、 24MP、 20MP、 16MP、 12MP、 8MP、 5MP、 3MP、 2MP
video	4K P30、 2K P30、 1296 P30、 1080 P30、 720 P30、 480 P30、 360 P30
Video Format	MP4
Picture format	JPG
menu language	English, Chinese, German, French, Italian, Spanish, Portuguese, Dutch, Japanese and Danish
TF card	TF card support 32GB
USB	micro USB interface

Battery	8X1.5AA battery
DC	External Power (DC 6V/2A, Plug 3.5x1.35mm)
MIC	Support
Speaker	Support
APP	Hunting 4K
Working temperature	-20 ℃ to +60 ℃
Storage temperature	-30 ℃ to +65 ℃
Camera weight	about 390g
Size	138x96x55MM

Note: the product design specifications are formulated according to the latest information in the preparation of this manual, and are subject to change without notice. Please refer to the actual camera.

9.FCC Warning

This device complies with Part 15 of the FCC Rules. Operation is subject to the following two conditions:

(1) This device may not cause harmful interference, and (2) this device must accept any interference received, including interference that may cause undesired operation.

NOTE 1: This equipment has been tested and found to comply with the limits for a Class B digital device, pursuant to part 15 of the FCC Rules. These limits are designed to provide reasonable protection against harmful interference in a residential installation. This equipment generates uses and can radiate radio frequency energy and, if not installed and used in accordance with the instructions, may cause harmful interference to radio communications. However, there is no guarantee that interference will not occur in a particular installation. If this equipment does cause harmful interference to radio or television reception, which can be determined by turning the equipment off and on, the user is encouraged to try to correct the interference by one or more of the following measures:

- Reorient or relocate the receiving antenna.
- Increase the separation between the equipment and receiver.
- Connect the equipment into an outlet on a circuit different from that to which the receiver is connected.
- Consult the dealer or an experienced radio/TV technician for help.

NOTE 2: Any changes or modifications to this unit not expressly approved by the party responsible for compliance could void the user's authority to operate the equipment.

RF Exposure Information

The device has been evaluated to meet general RF exposure requirement. The device can be used in portable exposure condition without restriction.