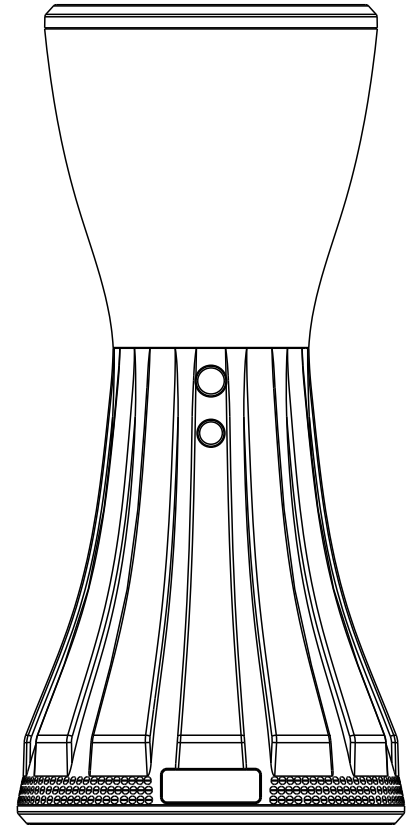
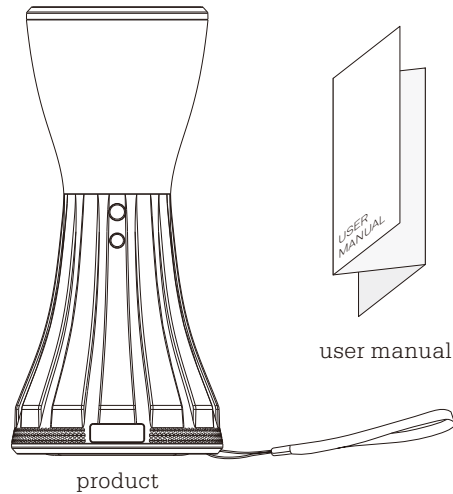


SOLAR CAMPING LIGHT WITH BLUETOOTH SPEAKER

OLS-01



Packing List

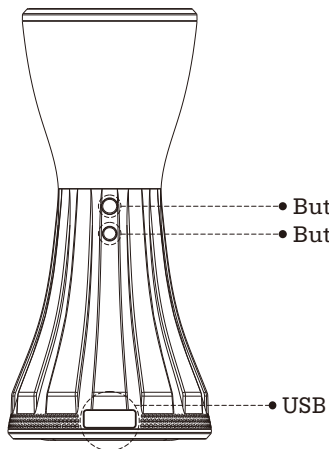


Introduction

This solar camping light with Bluetooth speaker not only provides lighting while camping, but can also play streaming music to draw out the crickets. In case of emergencies, a strobe function is also available.

Any Changes or modifications not expressly approved by the party responsible for compliance could void the user's authority to operate the equipment.

This device complies with part 15 of the FCC Rules. Operation is subject to the following two conditions: (1) This device may not cause harmful interference. (2) this device must accept any interference received, including interference that may cause undesired operation.



- Button 1: Lighting Control
- Button 2: Bluetooth Mode

• USB

Camping Light

Light

Press button 1 to adjust the brightness. Touch it of once for low lighting, twice for medium light, a third time for high brightness, fourth to turn on the torchlight, and fifth to turn off.

Button 1	X1	low lighting	
Button 1	X2	medium light	
Button 1	X3	high brightness	
Button 1	X4	flashlight	
Button 1	X5	turn off	

Emergency M

Long press **button 1** for 2 seconds to start or end the emergency strobe.

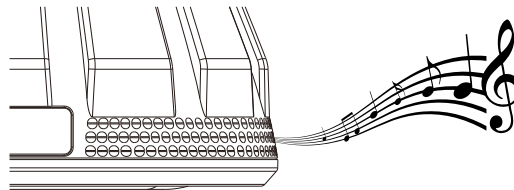
Bluetooth Speaker

1. Hold down **button 2** for 2 seconds to turn on the Bluetooth speaker. The blue indicator light inside button 2 will flash quickly to indicate that it is ready to pair with your device.



2. Select Bluetooth on your devices, and pair with "OLS-1". Steady blue indicator will light on if pair successfully.

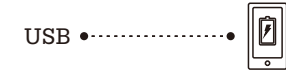
3. Play music from your devices on the speaker. Press **button 2** to pause or play music.



4. Hold down **button 2** for 2 seconds again to turn off the Bluetooth speaker.

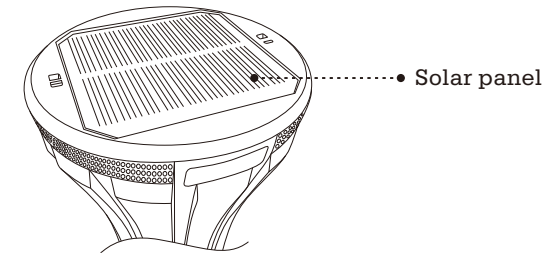
Power Bank

Connect your device to the USB port on the camping light with a USB cable, and your device will be successfully charged when the red indicator light turns on.



Solar Charging

This solar panel is designed to absorb the sun's rays as a source of energy for generating electricity so as to provide power for the speaker and light.



Charging the Light

Connect the Micro USB port to computer or other power with a USB cable. The red indicator will flash when successfully charged.

FCC Radiation Exposure Statement

This equipment complies with FCC radiation exposure limits set forth for an uncontrolled environment .