

## CONNECTION

### 1) Bluetooth Pairing

Ensure the speaker is connected to the power supply and turned on. Once the speaker has powered up for 10 seconds, the power indicator flashes blue indicating that the speaker is ready to pair. Any Bluetooth device (such as phones, tablets, laptops etc.) is available for pairing. Once paired successfully, the power indicator will become steady blue.

1. Open the setting menu and select Bluetooth.
2. Turn on Bluetooth and search devices.
3. Click "BT Speaker" to pair with your device.

#### Note:

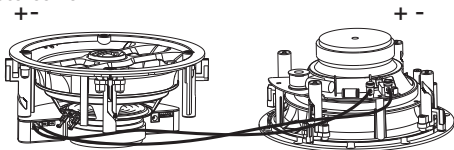
- One device can only connect or control one Bluetooth speaker at a time.
- If your device prompts a pairing code, type in the PIN "0000".
- If pairing fails the first time, restart all the equipment and then follow the above instructions. If trouble persists, press the "reset button" located on the front of the speaker or on the remote control.
- If you are unable to reconnect a previously connected device, remove the "BT Speaker" from the list of paired devices, and then follow the above instructions again.
- The Bluetooth connection will be lost if the distance between the speaker and the Bluetooth device exceeds 10m(32.8 ft.).

### 2) Connect to a CD/DVD Player

1. Connect to the speaker using a dual RCA left/right cable.
2. Switch the Bluetooth OFF on your device and wait for around 10 seconds. (Bluetooth Input has the priority when Bluetooth input and RCA input are connected simultaneously.)
3. The RCA mode will be activated when the indicator light shows solid purple.

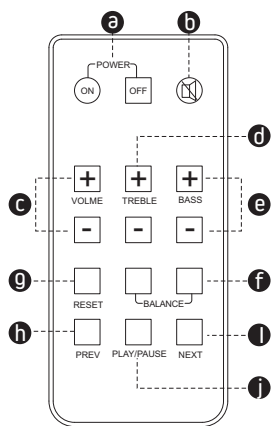
**Note:** You need to wait around 30 seconds to activate the RCA mode if you have restarted the speaker while no Bluetooth device is pairing.

### 3) Create Stereo Pair



1. Connect the passive speaker to the phoenix connector output.
2. Slide the mono-stereo switch **8** to the stereo position.

### 4) Remote Control



- a Power On/Off**  
Press to turn on/off the speaker.
- b Mute**  
Press to turn off the sound temporary, and press again to turn the sound back.
- c Volume +/-**  
Press to increase or decrease the sound level. You will hear a beep when the volume reaches the highest or lowest level.
- d Treble +/-**  
Press to increase or decrease the high frequency response. You will hear a beep when the treble reaches the maximum or minimum value.

### e Bass +/-

Press to increase or decrease the low frequency response. You will hear a beep when the bass reaches the maximum or minimum value.

### f Balance L/R

Shift the balance of stereo output left and right. Note that turning the balance control all the way in either direction causes output from the other side to be eliminated entirely.

### g Reset

Short press repeatedly to select the sound effect: (1) Classical, (2)Vocal Enhance, (3)Flat, (4)Bass Enhance, (5)Bass Weaken, (6)Treble Enhance, (7)Treble Weaken, (8)Popular, (9)Rock, (10)Jazz. Long press to resume the speaker to default setting. All parameters will be reset to default values: volume is 26; sound effect is flat; treble and bass is 0;L/R channel setting is balance.

### h Previous

Short press for previous track.

### i Next

Short press for next track.

### j Play/Pause

#### Note:

- Only if the Bluetooth input is activated, the PREV, NEXT and RESET keys can work.
- The customized volume and sound effect setting cannot be saved when the speaker is unplugged from the mains directly without powering it off by the remote control first.

#### Tips:

The infrared remote control has effective scope of operating range which is less than 3m(10 ft.) and at 60 degrees angle left or right away from the system.  
The remote control is powered by a CR2025 lithium coin cell battery (included).

## CARE AND MAINTENANCE

- Turn off the power to the speaker when unused for long periods of time.
- Ensure all equipment is turned off prior to cleaning. Surfaces need only occasional dusting/cleaning. Never use chemicals or solvents as they may damage the surface. Always clean using a dry cloth.
- Never touch the speaker drivers.

## SPECIFICATIONS

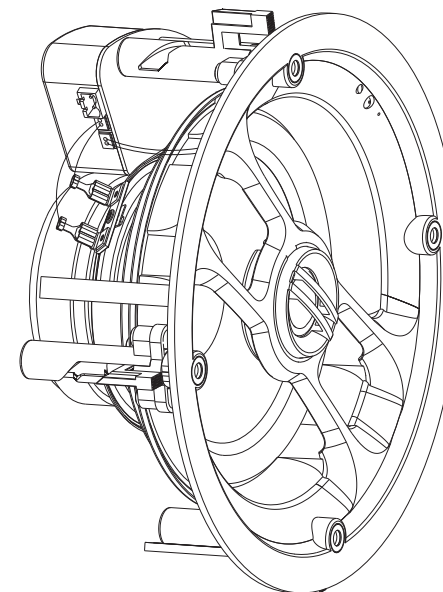
### FLF-6BT Bluetooth Ceiling Speaker (Active)

### FLF-6BTS Bluetooth Ceiling Speakers Pair (Active+Passive)

Speaker	Active Speaker(Master)	Passive Speaker(Slave)
Woofer	6.5" Polypropylene Cone	6.5" Polypropylene Cone
Tweeter	0.75" Silk Dome	0.75" Silk Dome
Frequency Response	70Hz-20kHz	70Hz-20kHz
Sensitivity(1M/1W)	87dB	87dB
Nominal Impedance	8Ω	8Ω
RMS Power	/	60W
Amplifier Power	2x30W/8Ω	/
Bluetooth Version	V5.0	/
Bluetooth Distance	10m (32.8 ft.)	/
Power Supply	DC 24V/2.5A	/
Dimensions	Ø233x105mm(Ø9.2"x4.1")	Ø233x105mm(Ø9.2"x4.1")
Cutout Size	Ø209mm(Ø8.2")	Ø209mm(Ø8.2")

# BLUETOOTH CEILING SPEAKER

**FLF-6BT/FLF-6BTS**



## SAFETY INSTRUCTIONS

- 1) Please read the instructions carefully before installation and use. Keep the manual safe for future reference.
- 2) Prior to installing the speakers into any ceiling/wall, check the structure for weight bearing ability and avoid contact with any wiring or plumbing that might be behind the surface area. Installing on soft materials or in areas incapable of supporting the speakers' weight may cause personal injury or damage to the speaker.
- 3) Make sure the speaker is properly secured to the ceiling/wall. Please use the proper screws, bolts, or anchors. Failure to do so may cause the speaker to become unsecured and cause potential damages/injuries.
- 4) Damage to the woofer and tweeter may occur if the speaker is dropped or hit-resulting in no sound or distorted sound.
- 5) Never overdrive your speakers to the point of distortion and always reduce volume prior to switching input sources.
- 6) Use only approved and certified wiring in your installation, do not stretch or place the wire in contact with sharp objects.
- 7) Prior to removing cables ensure all power to your amplifier and other components is turned off.

## PREPARATION

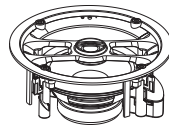
The hardware equipment listed below is needed to install the speaker.



## PACKING LIST

Ensure that you have received all parts according to the component checklist prior to installation. If any parts are missing or faulty, contact your place of purchase for a replacement.

### Model FLF-6BT



Bluetooth Speaker



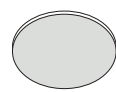
User Manual



Remote Control



Cutout Template



Grill

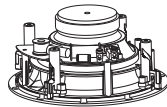


Power Cord with Adapter

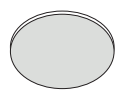


Installation Tool

### Pair Model FLF-6BT Also Include

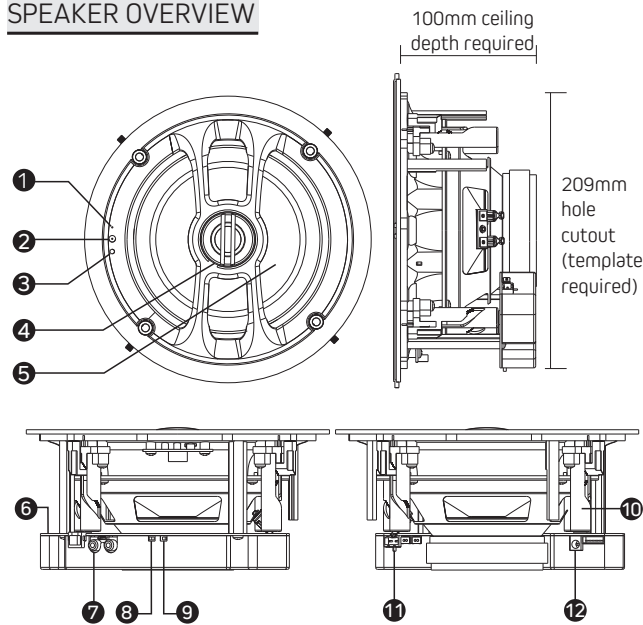


Passive Speaker



Grill

## SPEAKER OVERVIEW

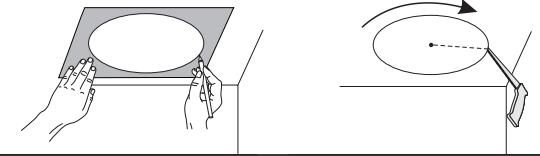


- 1 LED Indicator  
Steady red: power on.  
Flashing red: on standby.  
Flashing blue: Bluetooth is ready to pair.  
Steady blue: Bluetooth is connected.  
Steady purple: RCA is connected.  
Flashing white: speaker is resetting / software updating
- 2 IR Receiver
- 3 Reset Button  
Long press to resume the speaker to default setting.  
The resetting process is completed until you hear a prompt tone, then the speaker will restart automatically.
- 4 Pivoting Tweeter
- 5 Woofer
- 6 Built-in Amplifier & Bluetooth Driver
- 7 RCA Jack
- 8 Stereo/Mono Switch  
Switch to the "stereo" position when a passive speaker is attached.  
If not, keep in "mono" position.
- 9 Volume Limiter
  - Limiter Enabled(50%): The volume will be limited to the max. output 15W@8Ω.
  - Limiter Disable(100%): The volume can be adjusted to the max. output 30W@8Ω.
- 10 Quick-Install Dog Leg Fixings
- 11 Speaker Output
- 12 Power Inlet (DC 24V/2.5A)

## INSTALLATION

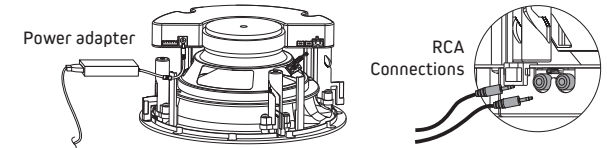
### 1. Cut the Speaker Hole

Position the cutout template where you are installing the speaker. Trace the template to mark out the speaker location with a pencil. Drill a pilot hole and cut all of the way around the circular outline with a cutting saw.



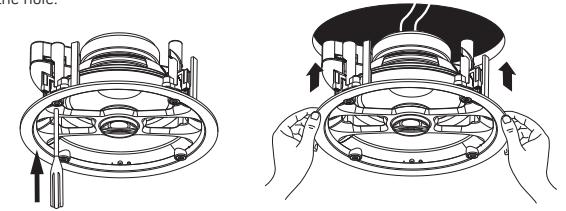
### 2. Wire the Speaker

Connect the adapter and RCA cables (if needed) to the corresponding ports.



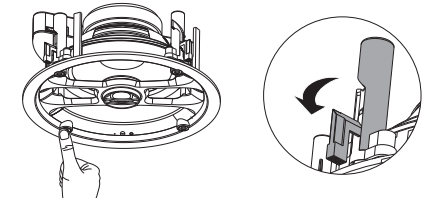
### 3. Install the Speaker

Adjust the dog leg with the installation tool as shown and insert the speaker into the hole.



### 4. Lock the Speaker

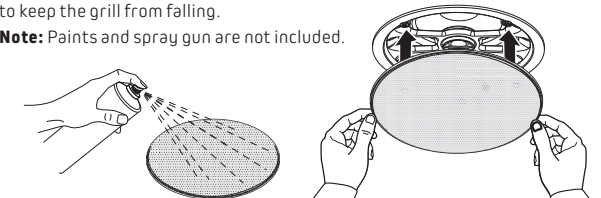
Lock the speaker by pressing the buttons located on the front face of the speaker and the dog leg will engage automatically.



### 5. Attach the Grill

Paint the speaker grill to match your room décor before you attach them to the speaker. As several magnets are on the speaker frame, attach the grill to the rim of the speaker directly. Ensure the grill is attached to the speaker securely to keep the grill from falling.

**Note:** Paints and spray gun are not included.



## FCC Statement

Any Changes or modifications not expressly approved by the party responsible for compliance could void the user's authority to operate the equipment.

This device complies with part 15 of the FCC Rules. Operation is subject to the following two conditions:

- (1) This device may not cause harmful interference, and
- (2) This device must accept any interference received, including interference that may cause undesired operation.

## FCC Radiation Exposure Statement:

This equipment complies with FCC radiation exposure limits set forth for an uncontrolled environment .This equipment should be installed and operated with minimum distance 20cm between the radiator& your body.