

This device complies with Part 15 of the FCC Rules. Operation is subject to the following two conditions:

- (1) This device may not cause harmful interference.
- (2) This device must accept any interference received, including interference that may cause undesired operation.

FCC ID: 2AKJB-AMP6500-1

NOTE: Changes or modifications not expressly approved by the party responsible for compliance could void the user's authority to operate the equipment.

NOTE: This equipment has been tested and found to comply with the limits for a Class B digital device, pursuant to Part 15 of the FCC Rules. These limits are designed to provide reasonable protection against harmful interference in a residential installation. This equipment generates uses and can radiate radio frequency energy and, if not installed and used in accordance with the instructions, may cause harmful interference to radio communications. However, there is no guarantee that interference will not occur in a particular installation. If this equipment does cause harmful interference to radio or television reception, which can be determined by turning the equipment off and on, the user is encouraged to try to correct the interference by one or more of the following measures:

- Reorient or relocate the receiving antenna.
- Increase the separation between the equipment and receiver.
- Connect the equipment into an outlet on a circuit different from that to which the receiver is connected.
- Consult the dealer or an experienced radio/TV technician for help.

RF exposure information: The Maximum Permissible Exposure (MPE) level has been calculated based on a distance of d=20 cm between the device and the human body.

Regulatory Conformance
Hereby, Advanced Mobile Payment Inc. declares that the radio equipment type [Bluetooth earphones APBEN] is in compliance with Directive 2014/53/EU. The full text of the EU declaration of conformity is available at the following internet address: www.amobilepayment.com



Notice: This device may be used in each member state in EU

DOCUMENT PROPERTIES

Information

ID	PQR-6500-1.0-E
Title	Quick Reference Guide
Category	AMP POS 6 Series - 6500
Access Level	General

Version Control

Version	Date	Summary of Change	Updated by
1.0	Jan 2018	Initial version	R. Gibbs

Supported Hardware & Software

Version	Software Release	Supported Hardware Model
1.0+	1.0	AMP 6500-CB

CONTENTS

1	Introduction	4
2	AMP 6500 Architecture	4
2.1	Front View	4
2.2	Back & Side View	5
2.3	Ports	5
3	General Precautions	6
4	Powering Device On/Off	6
5	Installing SIM/SAM Card	7
6	Troubleshooting Common Problems	8
7	Technical Specifications	9

The following items should be found inside the original packaging:

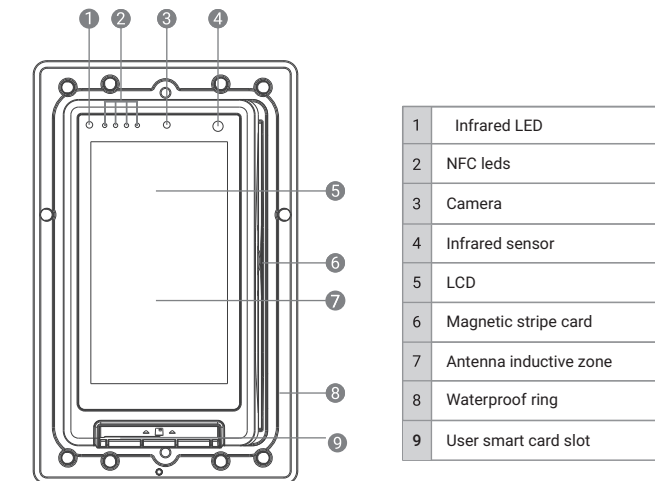
- The AMP 6500 POS terminal
- The Microfit cable
- Product Quick Reference Guide

1 Introduction

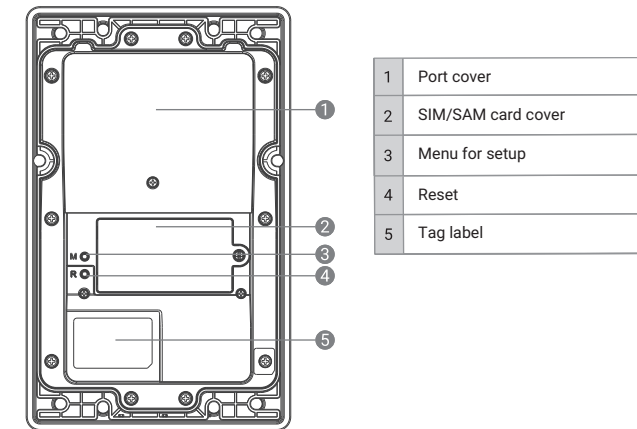
Engage customers in new ways with the AMP 6500's crystal clear 5" color touch display and video capabilities, all while accepting payment options that appeal to them with signature capture, chip and PIN, NFC/contactless, smartphone payments, electronic wallets and tap-and-go compatibility. The Android OS and 4 core secure processor provide power and simple application development options to meet the most demanding needs of any multi-lane or self-checkout environment. Optimized for the next generation of value-added services, gift card issuing and support of loyalty schemes, the AMP 6500 is the ultimate choice for a complete multimedia transaction solution.

2 AMP 6500 Architecture

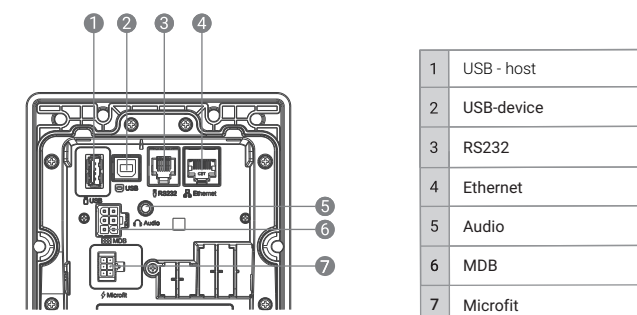
2.1 Front View



2.2 Back View



2.3 Ports



3 General Precautions

Basic care and consideration should be used when handling, operating or installing the 6500 terminal. This is a secure device, with both physical and logical tamper protection, and no attempt should be made by the user to open or service the device in any way other than approved troubleshooting methods. Keep these basic guidelines in mind to prolong the longevity and functionality of your product:

- Do not use the non-dedicated power supply, because it may be in trouble due to the mismatch of power.
- Do not vibrate, shake or knock the product sharply.
- When a fault occurs, immediately turn off the power supply and discontinue to use the product, please contact the service sector related to our company.
- Do not open and repair it by yourself.

When the terminal being attacked by unscrupulous environment (such as opening the terminal shell, etc.), the internal sensitive information stored in the terminal will be erased. For avoiding unnecessary trouble, you should not open the housing.

- AMP 6500 is designed to be unattended terminals, it is used outdoors, Please follow as below:
 1. The device should be covered by a pin shield over the pin entry area.
 2. Avoiding the direct sunlight and the rain.
 3. Place the device in a ventilated locality and keep good a heat dissipation condition.

4 Powering Device On/Off

Powering On the device

First ensure that the plug is inserted into a known working socket, then insert the Microfit power or MDB power jack into the power port on the 6500, the device will then power itself On.

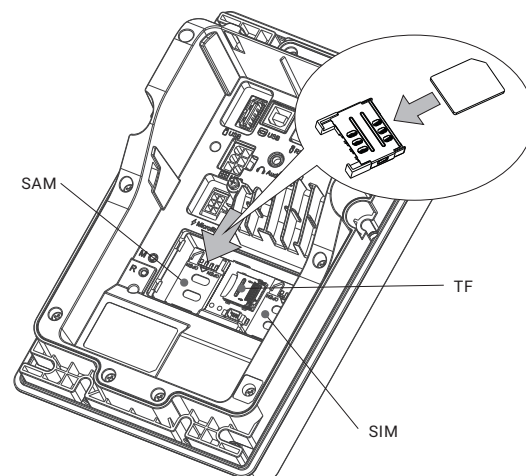
Powering Off the device

Unplug the DC jack from the back of the terminal and it will power itself Off.

5 Installing SIM/SAM/TF Card

Installation of a SIM/SAM/TF card

- Open the rear cover to reveal the card slots
- With the exposed chip facing downward, and the angled corner oriented away from the slot, insert the card until it is seated right at the bottom of the slot
- Ensure that any installed cards are securely locked in place, and close the rear cover



6 Troubleshooting Common Problems

If problems occur with the terminal, try these simple troubleshooting methods to correct the fault, or contact a service representative to further diagnose the issue.

Problem	Troubleshooting
Nothing displayed on screen	Ensure the power is properly connected at the socket and DC jack
Unable to read card	Ensure that the slot is free of debris or foreign objects Swipe the card in both directions, and check if error has been corrected Check if the current card is operational, and test with a different card
Magnetic reader data read error	Swipe the card with constant speed, tight to the bottom edge of the slot Ensure the card strip is facing the screen and aligned properly with the slot Try swiping the card in the opposite direction
Chip card data read error	Ensure the chip portion is facing upwards, and is properly inserted into the slot Check the card for excessive scratches, dirt, or other damage
Contactless card data read error	Confirm that the card supports contactless communication Check whether the card is properly aligned above the contactless reader area
Communication error	Restart the terminal in order to re-establish communications Confirm that the SIM card is properly installed, and that its contacts are clean If using WiFi, check that the terminal's connection is enabled

If problems persist after completing these troubleshooting procedures, please contact your sales or service representative. **Do not** attempt to open the terminal or make further repairs.

CAUTION RISK OF EXPLOSION IF BATTERY IS REPLACED BY AN INCORRECT TYPE. DISPOSE OF USED BATTERIES ACCORDING TO THE INSTRUCTIONS

7 Technical Specifications

The following are specifications detailing the overall capabilities of the AMP 6500, including optional or variable elements. To obtain the specifications for your individual terminals, refer to the original sales order or your sales representative for more information.

PROCESSOR	High Performance 4 Core Processor + Secure CPU
MEMORY	1GB RAM, 8GB Flash memory, Support Micro TF Card, up to 32GB
DISPLAY	5", 720x1280 pixels, support capacitate touch screen
CONNECTIVITY	RS-232, Ethernet 10/100M, MDB
CERTIFICATION	PCI PTS 5.X, EMV LEVEL 1&2, EMV Contactless, CE, FCC, Pay Pass
CARD READERS	Bi-directional triple-track magstripe reader, landed smart card, NFC, 13.56MHz max.
OTHER	1 SAM, 1 TF card reader, MDB interface, Microfit port, proximity detector
SECURITY	3DES Encryption, remote key injection, Master/Session and DUKPT Key Management
POWER	12V DC, 2A (when using Micro fit), 24 ~ 45V DC (when using MDB)
PHYSICAL	(195x122x94mm)-(7.7x4.8x3.7)"LxWxH
BUTTONS	1 key for reset, 1 key for setup
SYSTEM	Android OS 5.X
WEIGHT	720g(1.6lbs)
OPERATION	-20°C ~ 70°C(-4°F ~ 158°F), 10% ~ 90% (non-condense)
STORAGE	-25°C ~ 75°C(-13°F ~ 167°F), 0% ~ 95% (non-condense)
WATERPROOF	IP65
PROTECTION	IK08

AMP 6500

Quick Reference Guide

v 1.0

PQR-6500-1.0-E

Advanced Mobile Payment Inc.

Units 401-403, 15 Wertheim Court. Richmond Hill,
Ontario L4B 3H7 CANADA

All pages of this document contain information proprietary to Advanced Mobile Payment Inc (AMP). This document shall not be duplicated, transmitted, used, or otherwise disclosed to anyone other than the organization or specific individuals to which this document is delivered, and then only for the purpose of evaluation of the AMP proposal. This restriction is applicable to all sheets of this document. AMP reserves the right to have the recipient return all copies of this document at any time.

© 2017 AMP Inc. All Rights Reserved