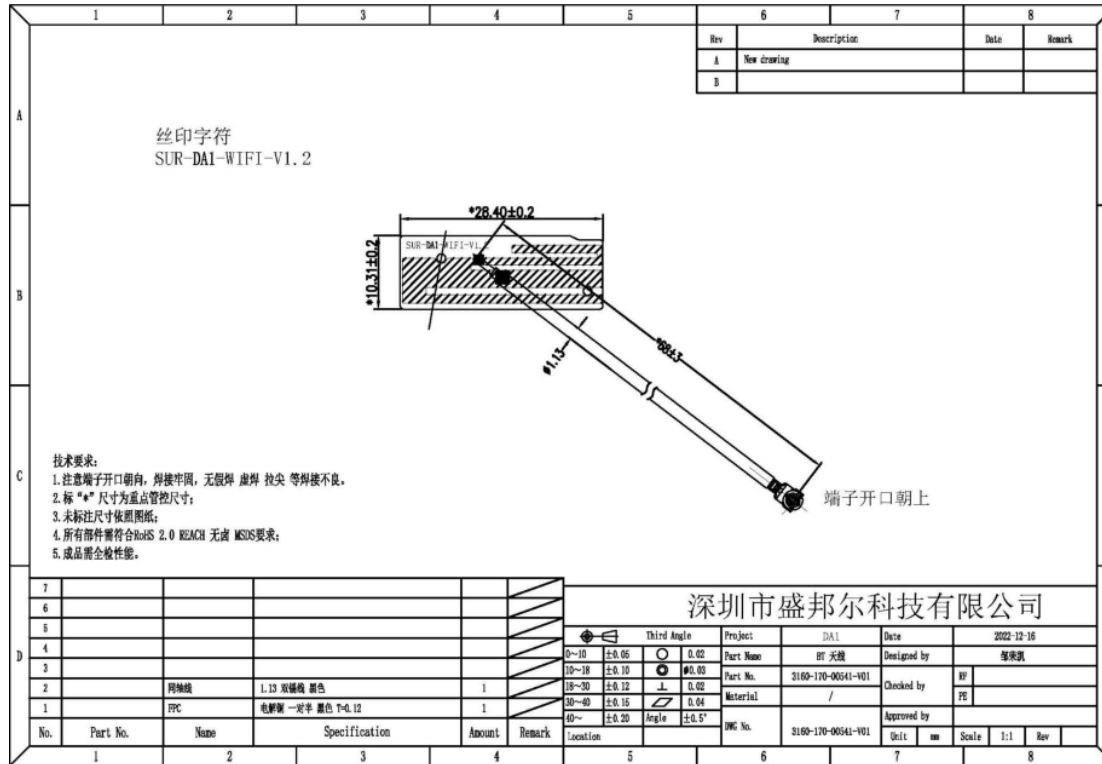


## 1. Antenna Information

Product Model	Smart Lock U100
Antenna Model	SUR-DA1-WIFI
Antenna Type	FPC
Manufacturer	shenzhen surbaner technology co.;LTD
	2/F, Building b25, Hezhou Hengfeng Industrial City, Xixiang Street, Bao'an District, Shenzhen

## 2. Antenna Picture



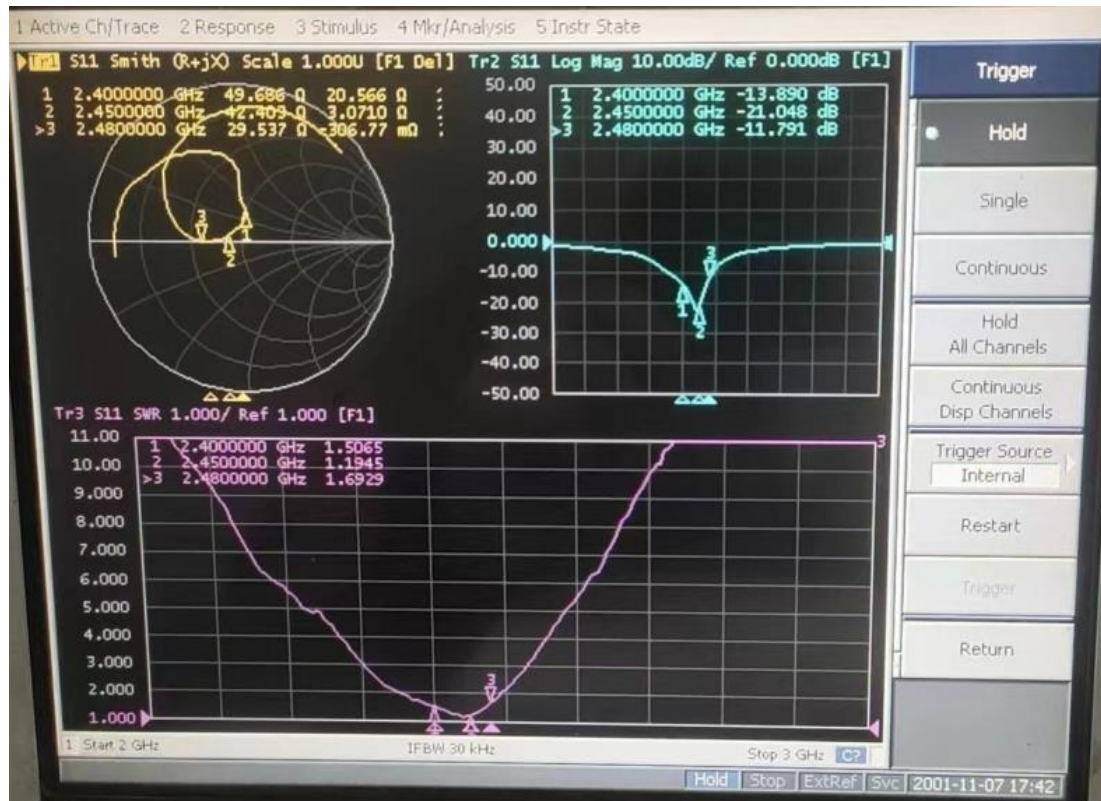
## 3. Electrical Specification

Frequency Range	2400MHZ-2500 MHZ
Bandwidth	100MHz
Input Impedence	50Ω
S11	≤-10 dB

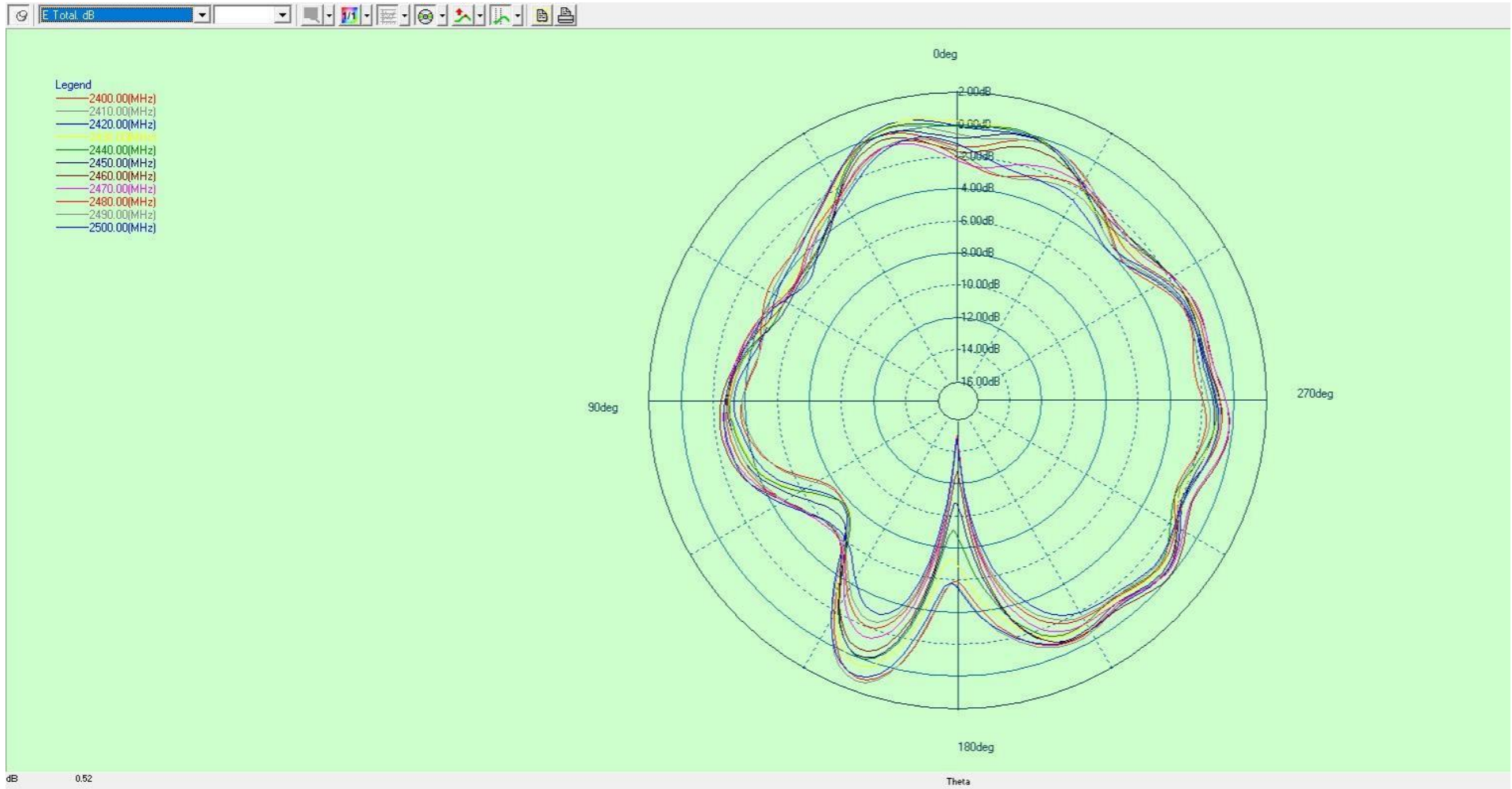
Peak Gain

2dBi

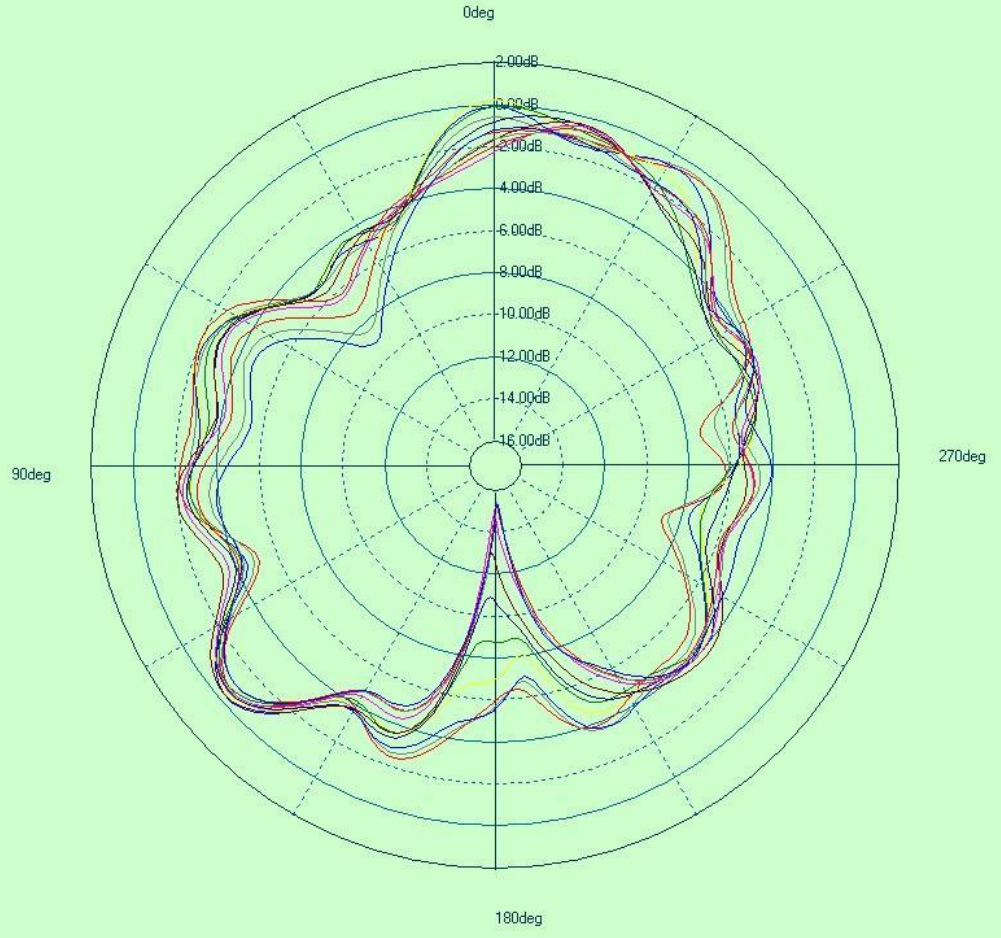
#### 4. Antenna S11



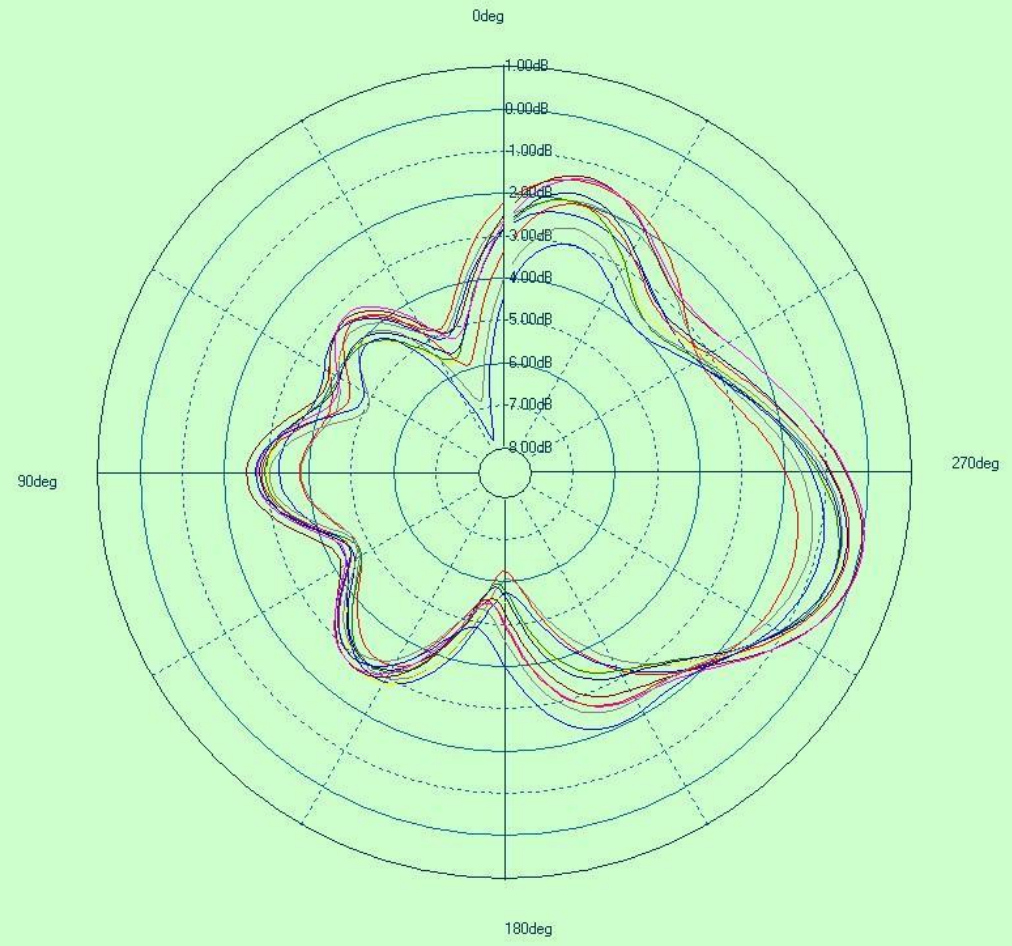
# 5. Radiation Pattern



- Legend
- 2400.00(MHz)
  - 2410.00(MHz)
  - 2420.00(MHz)
  - 2440.00(MHz)
  - 2450.00(MHz)
  - 2460.00(MHz)
  - 2470.00(MHz)
  - 2480.00(MHz)
  - 2490.00(MHz)
  - 2500.00(MHz)



- Legend
- 2400.00(MHz)
  - 2410.00(MHz)
  - 2420.00(MHz)
  - 2440.00(MHz)
  - 2450.00(MHz)
  - 2460.00(MHz)
  - 2470.00(MHz)
  - 2480.00(MHz)
  - 2490.00(MHz)
  - 2500.00(MHz)



## 6. Test Results

Frequency (MHz)	Efficiency (%)	Peak GAIN (dBi)
2400	47.51%	1.58
2410	48.01%	1.67
2420	49.21%	1.96
2430	47.78%	1.85
2440	46.19%	1.64
2450	47.43%	1.72
2460	50.23%	1.57
2470	48.30%	1.43
2480	44.90%	1.34
2490	42.86%	1.17
2500	42.34%	0.98