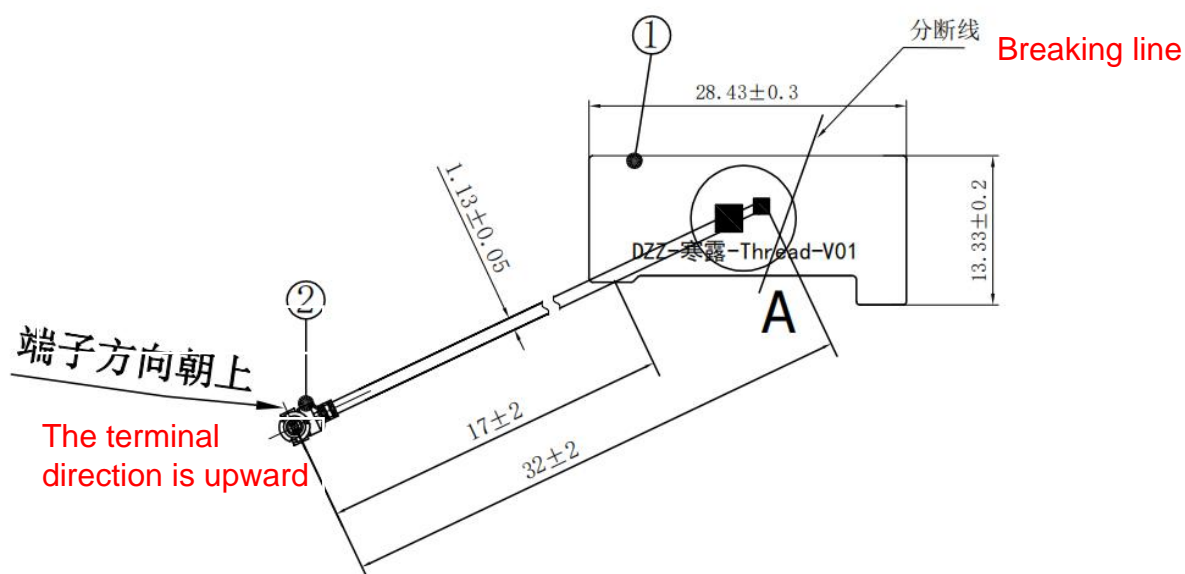


1. Antenna Information

Product Model	寒露 Hanlu
Antenna Model	寒露-Thread Hanlu-Thread
Antenna Type	PIFA
Manufacturer	Shenzhen Be-Comfortable Technology Co. Ltd

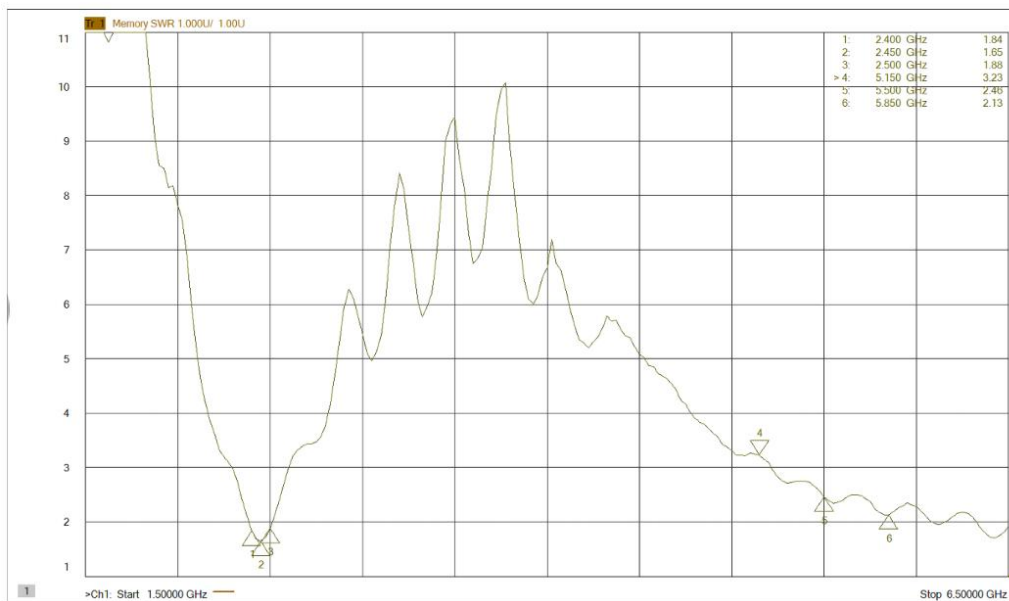
2. Antenna Picture



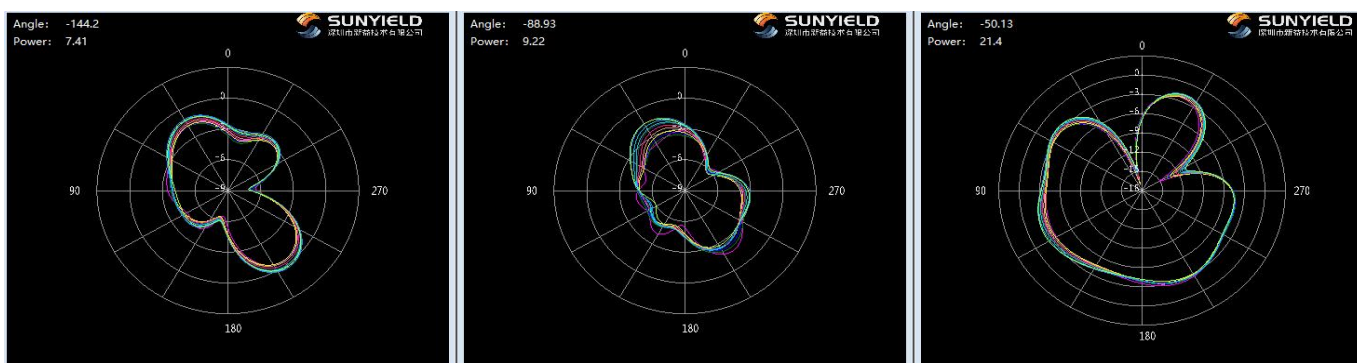
3. Electrical Specification

Frequency Range	2400 - 2500 MHz
Bandwidth	100 MHz
Input Impedence	50 Ω
S11	≤ -10 dB
Peak Gain	0.5 dBi

4. Antenna S11



5. Radiation Pattern



6. Test Results

Frequency ID	Frequency (MHz)	Gain (dBi)	Efficiency (dB)	Efficiency (%)
1	2400	0.1	-3.1	48.9
2	2410	0.3	-3.0	50.4
3	2420	0.3	-2.8	52.3
4	2430	0.5	-2.7	53.4
5	2440	0.2	-2.8	52.2
6	2450	0.0	-2.8	52.9
7	2460	0.1	-2.8	52.7
8	2470	0.2	-3.0	50.7
9	2480	0.3	-2.9	51.0
10	2490	0.4	-2.8	53.0
11	2500	0.2	-2.7	53.4