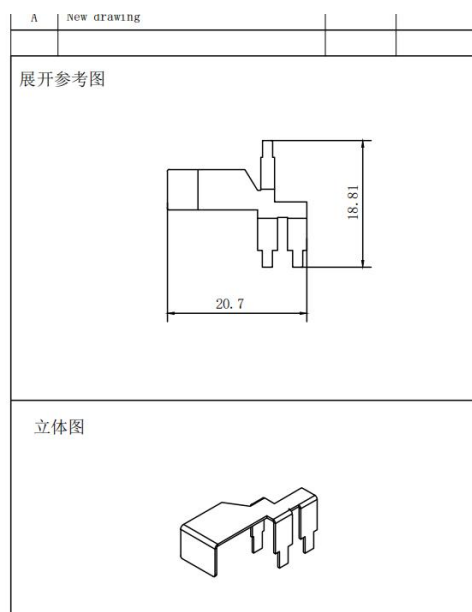
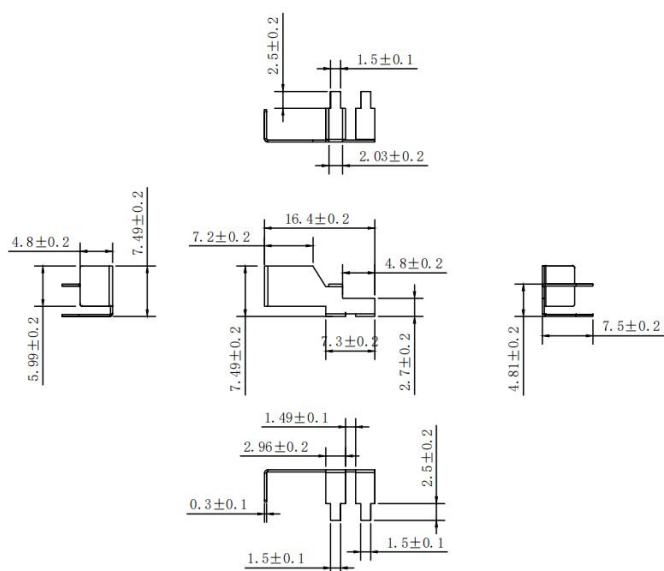


# 1. Antenna Information

Product Model	寒露 Hanlu
Antenna Model	寒露-BLE Hanlu-BLE
Antenna Type	PIFA
Manufacturer	Shenzhen Be-Comfortable Technology Co. Ltd

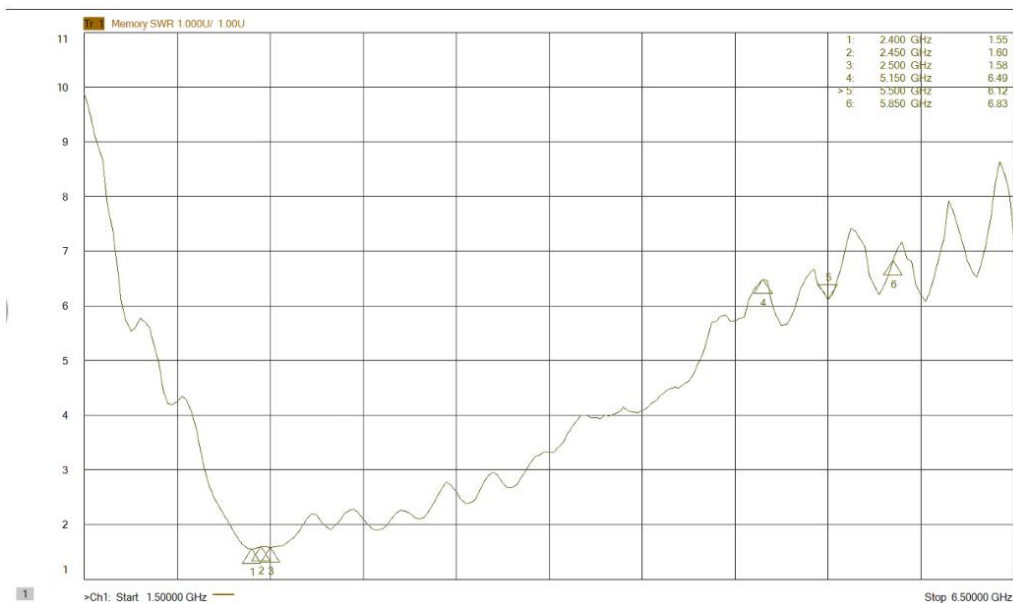
# 2. Antenna Picture



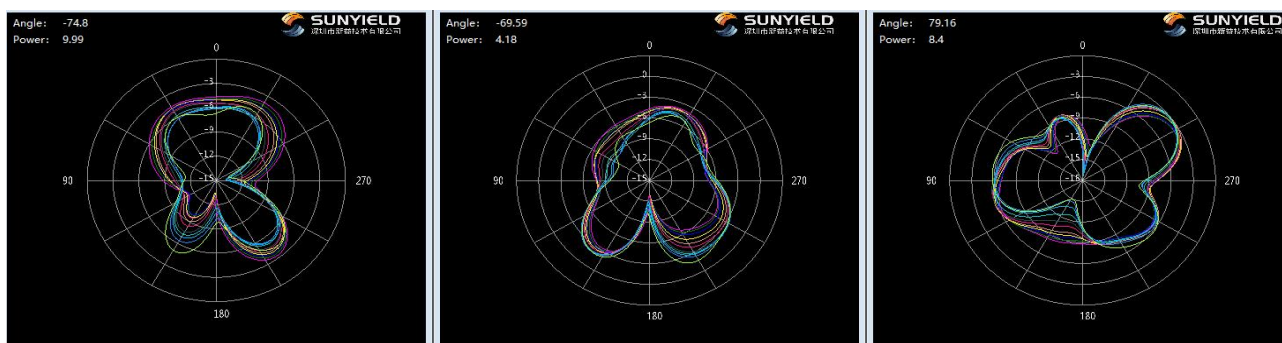
# 3. Electrical Specification

Frequency Range	2400 - 2500 MHz
Bandwidth	100 MHz
Input Impedence	50 Ω
S11	≤ -10 dB
Peak Gain	-0.5 dBi

## 4. Antenna S11



## 5. Radiation Pattern



## 6. Test Results

Frequency ID	Frequency (MHz)	Gain (dBi)	Efficiency (dB)	Efficiency (%)
1	2400	-0.8	-3.2	48.2
2	2410	-0.7	-3.2	48.2
3	2420	-0.7	-3.2	48.1
4	2430	-0.7	-3.2	48.1
5	2440	-1.0	-3.3	47.3
6	2450	-0.6	-3.1	48.9
7	2460	-0.5	-3.0	49.8
8	2470	-0.8	-3.1	48.8
9	2480	-0.8	-3.2	48.3
10	2490	-0.7	-3.4	46.1
11	2500	-1.3	-3.7	43.1