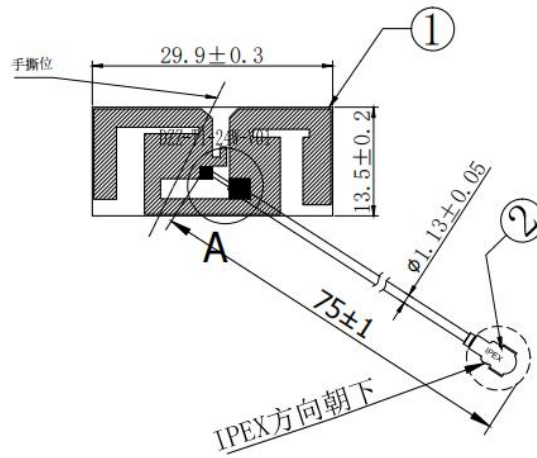


## 1、 Antenna picture



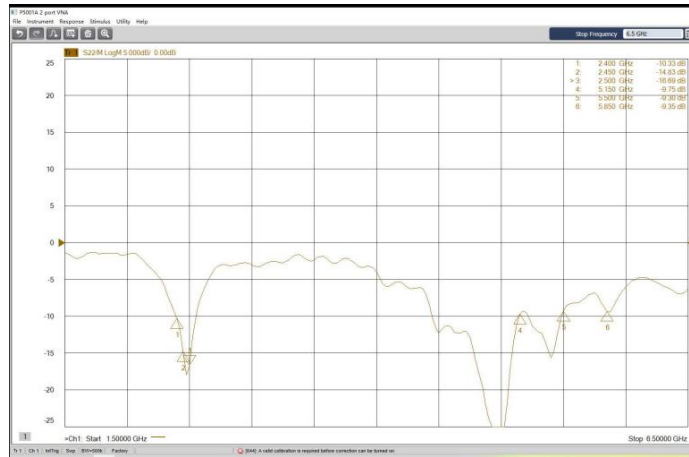
Zigbee antenna

## 2、 Electrical Specifications

Frequency Range	2400~2500MHz
Bandwidth	100 MHz
Input Impedence	50Ω
S11	$\leq -10$ dB
Gain	Peak Gain 0dBi
Manufacturer	Lumi United Technology Co., Ltd Room 801-804, Building 1, Chongwen Park, Nanshan iPark, No. 3370, Liuxian Avenue, Fuguang Community, Taoyuan Residential District, Nanshan District, Shenzhen, China

## 3、 Antenna S11

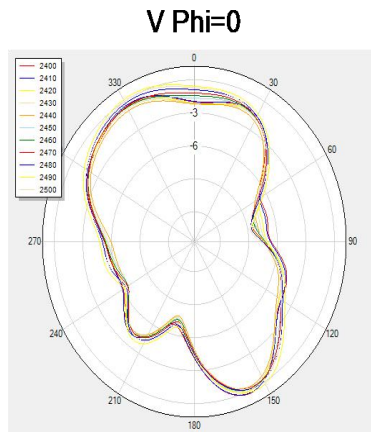
Manufacturer: Shenzhen Zhongtian Xun Communication Technology Co., Ltd.  
Address: No.34 Shilong Avenue, Shiyan Town, Baoan District, Shenzhen (Tengda Industrial Park)



#### 4. Plane Definition Radiation

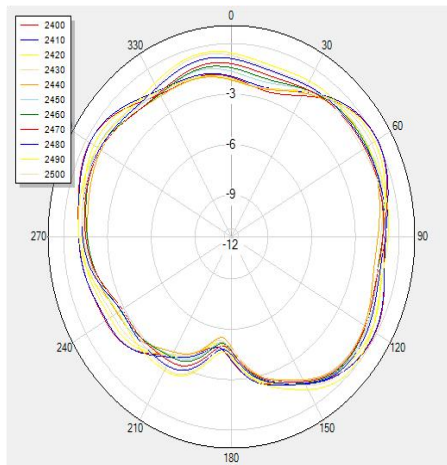
XY Plane	Theta=90°
XZ Plane	Phi=0°
YZ Plane	Phi=90

Phi=0°



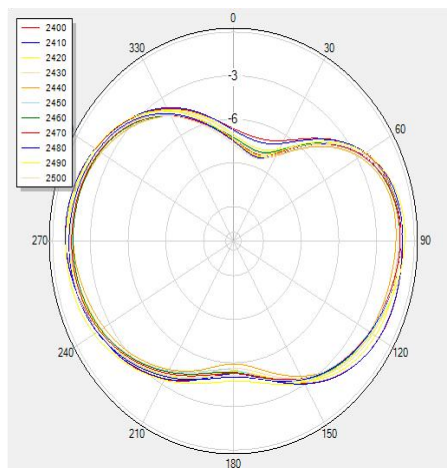
Phi=90°

### V Phi=90



Theta=90°

### H Theta=90



## 5. Test Results

Frequency ID	Frequency (MHz)	Gain (dBi)	Efficiency (dB)	Efficiency (%)
--------------	-----------------	------------	-----------------	----------------

<b>1</b>	<b>2400</b>	-0.82	-3.58	43.84
<b>2</b>	<b>2410</b>	-0.71	-3.69	42.8
<b>3</b>	<b>2420</b>	-0.54	-3.95	40.26
<b>4</b>	<b>2430</b>	-0.14	-3.53	44.36
<b>5</b>	<b>2440</b>	-0.19	-3.87	41
<b>6</b>	<b>2450</b>	0	-3.82	41.51
<b>7</b>	<b>2460</b>	-0.09	-3.78	41.9
<b>8</b>	<b>2470</b>	-0.21	-3.79	41.78
<b>9</b>	<b>2480</b>	-0.15	-3.47	45
<b>10</b>	<b>2490</b>	-0.66	-3.87	41.02
<b>11</b>	<b>2500</b>	-0.95	-3.71	42.53