

Lumi United Technology Co., Ltd

Date: 2021/02/20

Federal Communications Commission
Authorization and Evaluation Division
1435 Oakland Mills Road
Columbia, MD 21046

Request of Class II Permissive Change

Company name: Lumi United Technology Co., Ltd

FCC ID: 2AKIT-AK022

FCC Part 15 Certification

This is to request a Class II Permissive Change for FCC ID: 2AKIT-AK022, Originally granted on 04/11/2019

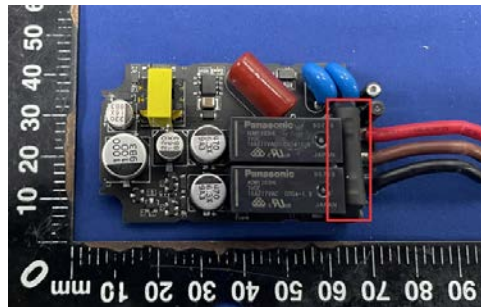
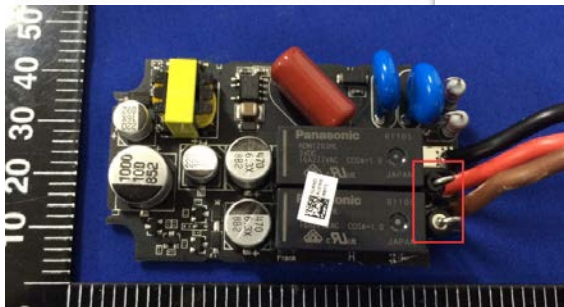
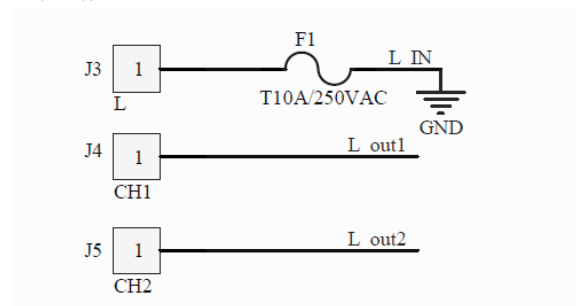
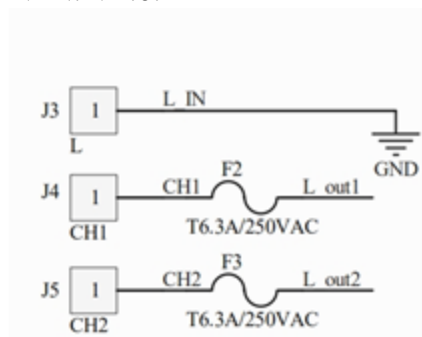
Gentlemen,

The major change filed under application is:

1. Replace the low section fuse with the high section fuse.

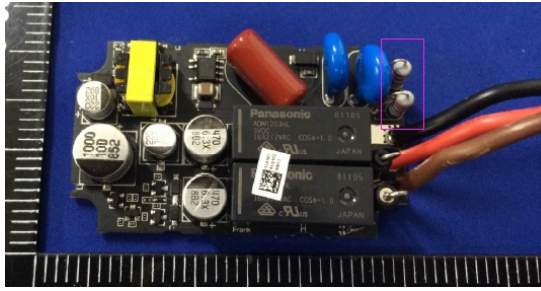
FVIN: V1.0.1

FVIN: T1

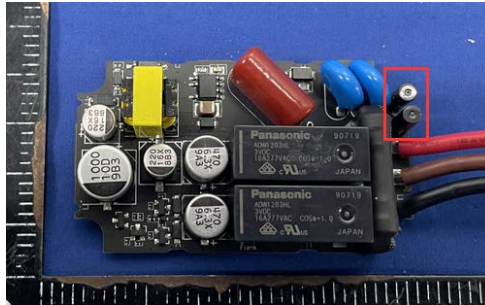


Lumi United Technology Co., Ltd

2. Replace the insurance resistance in the power supply circuit with the temperature insurance resistance.
FVIN: V1.0.1



FVIN: T1



Based on these changes only radiated emissions(30MHz ~ 1GHz) and conduction emissions require retest

If you have any questions regarding this application, please feel free to contact

Contact name: Freddie Duan
Company name: Lumi United Technology Co., Ltd
Telephone: 0755-86635126
Email Address: hang.duan@lumiunited.com

Freddie Duan

Signature: