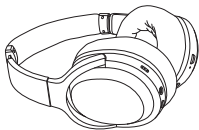




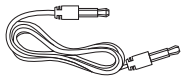
THANK YOU
FOR CHOOSING TZS

USER GUIDE
ACTIVE NOISE CANCELLING WIRELESS HEADPHONES
MODEL: 19BN02

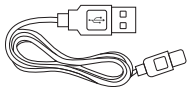
ACTIVE NOISE CANCELLING FOR COMPLETED MUSIC IMMERSION



Headphones



3.5mm Audio Cable



Type-C Charging Cable

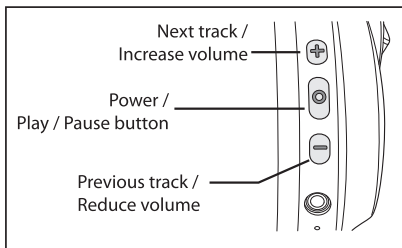
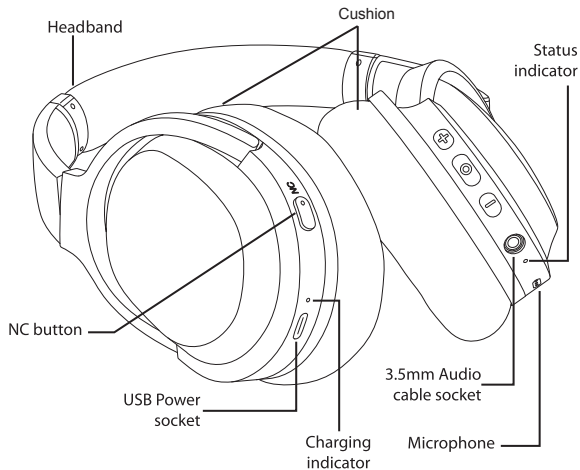


User Guide



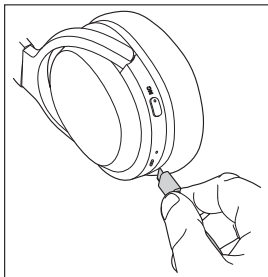
Storage Bag

Overview

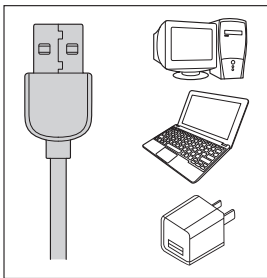


CHARGING THE HEADPHONES

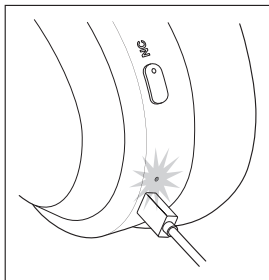
1. Slot the smaller end of the USB cable into the USB power socket in the bottom of the left headphone.



2. Slot the other end of the USB cable into a power source such as a computer, laptop or USB mains plug.

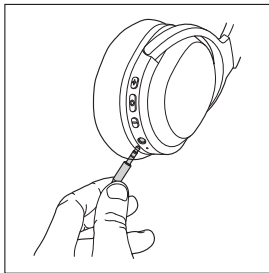


3. The charging indicator will glow red showing that the headphones are charging. Charging time 2 to 2.5 hours approximately.
Once the headphones are fully charged the charging indicator will turn off.
You can now remove the USB cable from the power source and the headphones.

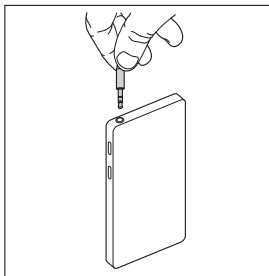


CONNECTING USING AUDIO CABLE

1. Slot one end of the 3.5mm audio cable into the 3.5mm audio cable socket on the bottom of the right headphone.



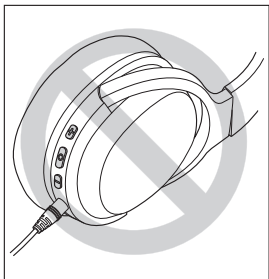
2. Slot the other end of the audio cable into the headphone / audio out socket on the device you want to connect to the headphones.



3. **Important:** When a device is connected to the headphones using the audio cable the controls on the headphones will not work with the connected device.

You will have to use the devices controls to play / pause, skip tracks and adjust the music.

Note: When using a 3.5mm audio cable you cannot use the microphone built into the headphones.



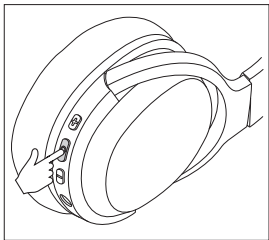
TURNING ON & OFF

Turning ON: Press and hold the **O** button, until you hear the audible prompt.


The status indicator will flash blue three times.

Turning OFF: Press and hold the **O** button until you hear the audible prompt.

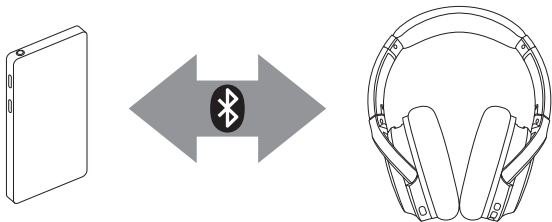
The red status indicator will come on for one second.



CONNECTING USING BLUETOOTH

1. Press and hold the  button until you hear a tone and the status indicator light flashes blue and red.
2. The headphones are now in pairing mode and ready to be connected to your Bluetooth device.
3. Keep the headphones and Bluetooth enabled device within 1 meter (3 feet) of each other during the pairing process.
4. Open the Bluetooth search window on the device you want to pair with your headphones.
5. When your Bluetooth enabled device finds the headphones, select "TZS TP-BN01" from the list of found devices.
6. After a successful registration, you will hear the audible tone and the status indicator will slowly blink blue for 5 seconds.

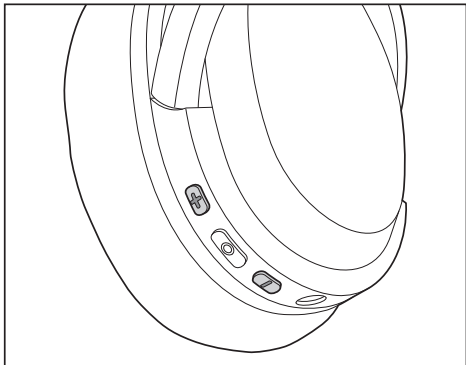
Note: Your headphones will automatically try to reconnect to the device when turned on, you will hear an audible tone.



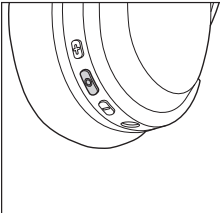

ADJUSTING THE VOLUME

Increasing the volume: Repeatedly press the **+** button on the headphones to increase the volume. You will hear a tone when the headphones have reached its maximum volume.

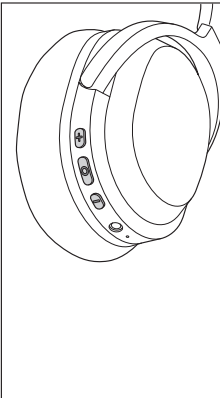



Reducing the volume: Repeatedly press the **-** button on the headphones to decrease the volume. You will hear a tone when the headphones have reached their minimum volume.



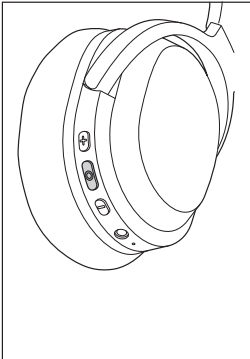




ACCESSING SIRI

	BUTTON	FUNCTION
		Double click to access SIRI

MUSIC FUNCTIONS

	BUTTON	FUNCTION
		Press to start playback. Press again to pause playback
		Press and hold to skip to the next song.
		Press and hold to skip to the previous song.

MOBILE PHONE FUNCTIONS

	BUTTON 	FUNCTION Answer a call: Press the  button once. Hang up: Press the  button again. Decline a call: Press and hold the  button for approximately 1 second.
--	--	---

TURNING ON THE NC FUNCTION

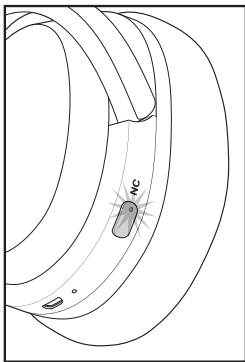
NC stands for active Noise Cancellation and should be used when you are in areas with high amounts of background noise.

IMPORTANT: The noise cancelling function is automatically turned on when you turn your headphones on.

Turning OFF: Click the NC button on the left headphone in again to turn off. The green light on the button will go out when turned off.

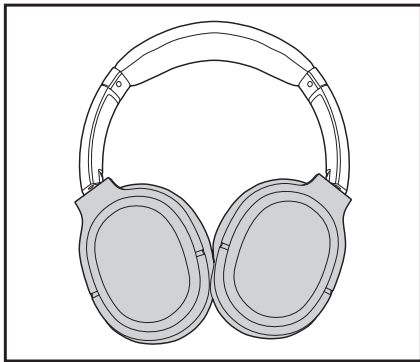
Turning ON: Click the NC button on the left headphone in to turn on. The green light on the button will come on when the noise cancelling is turned on.

IMPORTANT: When activating NC slight changes in the playback audio may be perceived. This is a characteristic of NC. The NC function uses more power when turned on and will reduce the use time after the headphone is fully charged.



STORING YOUR HEADPHONES

The headphones fold flat for easy, convenient storage. Place the folded headphones in a safe place.



TROUBLESHOOTING

Problem	What to do
No power	Headphones have run out of power, recharge for approximately 2 to 2.5 hours to fully charge using the USB cable.
Cannot search for the Bluetooth headphones	Delete connection for Bluetooth device and reconnect.
Interrupted connection	Power too low, device beyond 10 metre range, or the signal has been blocked by an obstacle.
No sound when calling	Check your connection or turn the volume up on the device or headphones.
No sound when playing music	Check your connection or turn the volume up on the device or headphones.
No sound when using the 3.5mm audio cable	Check the jack plugs are correctly inserted. Check the 3.5mm audio cable has not become damaged.
Unable to charge	Check the charging cable is connected and that it has not been damaged.

TECHNICAL SPECIFICATIONS

Battery charge time	Approximately 2 to 2.5 hours to full charge
Battery life	Bluetooth without noise cancelling: 50 hours Bluetooth & noise cancelling: 24 hours
Operating range	Approximately 10 metres without obstructions
Battery type	Rechargeable Lithium battery

FCC Statement

Any changes or modifications not expressly approved by the party responsible for compliance could void the user's authority to operate the equipment.

This device complies with Part 15 of the FCC Rules. Operation is subject to the following two conditions:

- (1) this device may not cause harmful interference, and
- (2) this device must accept any interference received, including interference that may cause undesired operation.

Note: This equipment has been tested and found to comply with the limits for a Class B digital device, pursuant to Part 15 of the FCC Rules. These limits are designed to provide reasonable protection against harmful interference in a residential installation. This equipment generates, uses, and can radiate radio frequency energy, and if not installed and used in accordance with the instructions, may cause harmful interference to radio communications. However, there is no guarantee that interference will not occur in a particular installation. If this equipment does cause harmful interference to radio or television reception, which can be determined by turning the equipment off and on, the user is encouraged to try to correct the interference by one or more of the following measures:

- Reorient or relocate the receiving antenna.
- Increase the separation between the equipment and receiver.
- Connect the equipment into an outlet on a circuit different from that to which the receiver is connected.
- Consult the dealer or an experienced radio/TV technician for help