

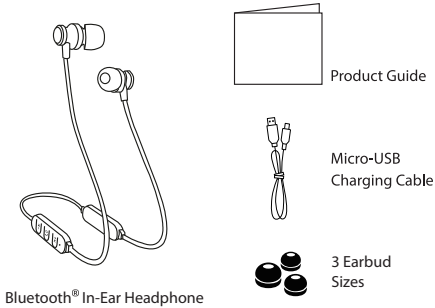
Front

MOVE WIRELESS EARBUDS WITH MIC

Model: 18LY48

PRODUCT GUIDE

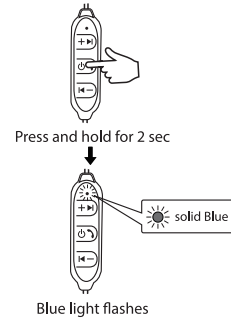
What's in the Box



Ver.01 12/11/18

P1

Power On



Ver.01 12/11/18

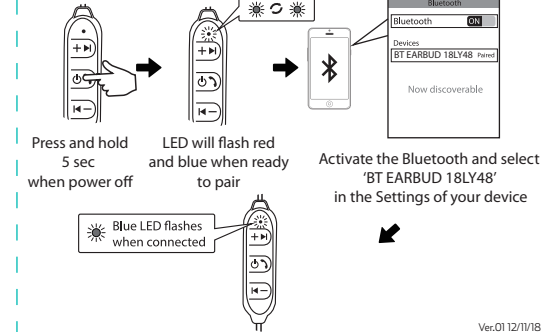
P2

Power Off



Ver.01 12/11/18

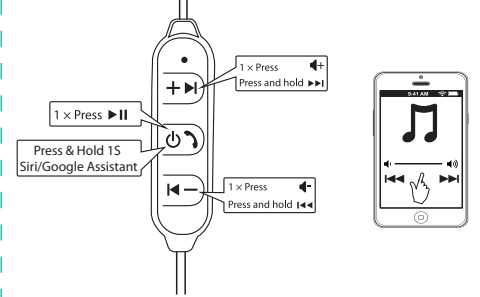
Bluetooth Pairing



Ver.01 12/11/18

P3

Play

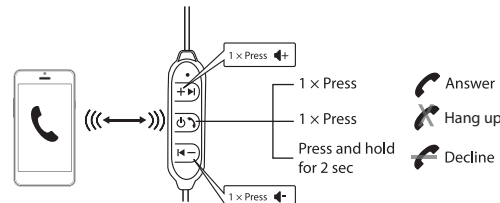


Ver.01 12/11/18

P4

Back

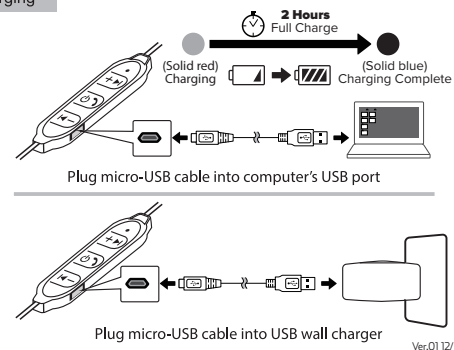
Phone Controls



Ver.01 12/11/18

P5

Charging



Ver.01 12/11/18

P6

Product Information

- 1) Product Name: Wireless earbuds with mic;
- 2) Pairing Name: BT EARBUD 18LY48
- 3) Speaker Rated Power Input: 3mW(0.31V);
- 4) Speaker Maximum Input Power: 5mW(0.40V);
- 5) Loudspeaker Diameter:Φ10mm;
- 6) Speaker Impedance: 16±15% Ω;
- 7) Sensitivity: 93±3dB;
- 8) Charging Cable: 0.3m

Ver.01 12/11/18

P7

FCC Statement

This equipment has been tested and found to comply with the limits for a Class B digital device, pursuant to part 15 of the FCC Rules. These limits are designed to provide reasonable protection against harmful interference in a residential installation. This equipment generates, uses and can radiate radio frequency energy and, if not installed and used in accordance with the instructions, may cause harmful interference to radio communications. However, there is no guarantee that interference will not occur in a particular installation. If this equipment does cause harmful interference to radio or television reception, which can be determined by turning the equipment off and on, the user is encouraged to try to correct the interference by one or more of the following measures:

- Reorient or relocate the receiving antenna.
- Increase the separation between the equipment and receiver.
- Connect the equipment into an outlet on a circuit different from that to which the receiver is connected.
- Consult the dealer or an experienced radio/TV technician for help.

Caution: Any changes or modifications to this device not explicitly approved by manufacturer could void your authority to operate this equipment.
This device complies with part 15 of the FCC Rules. Operation is subject to the following two conditions: (1) This device may not cause harmful interference, and (2) this device must accept any interference received, including interference that may cause undesired operation.

The device has been evaluated to meet general RF exposure requirement. The device can be used in portable exposure condition without restriction.

Ver.01 12/11/18

P8

Troubleshooting

- **Headphones fail to turn on**
 - Ensure headphones are fully charged before turning it on.
- **My mobile device is unable to find the Bluetooth headphones**
 - Check that the headphones is in pairing mode (blue/red indicator lights flashing).
 - Remove "BT EARBUD 18LY48" from Bluetooth settings list and setup again.
 - If still no search result, please restart the headset and phone, and try again.
- **After successfully pairing, headphones disconnect**
 - Check the battery level and recharge if low.
 - Ensure headphones are within 30ft of mobile device and free of obstructions.
 - The connection may be affected by obstructions such as walls or other electronic devices. Try moving closer to the device you are connected to.
- **When answering a call, I cannot hear anything**
 - Ensure the mobile device is connected to headphones and not on speakerphone mode.
 - Increase the volume on your mobile device.
- **There is no sound when listening to music**
 - Increase the volume on your mobile device.
 - Reconnect the headphones to your mobile device.
 - Check if the app has paused or stopped playback.
- **Headphones fail to charge**
 - Check whether the charging cable is functional.
 - Ensure the micro-USB charging cable is fully seated in the headphones and wall charger ports.
 - Ensure the charging cable and wall charger are functional.

Ver.01 12/11/18