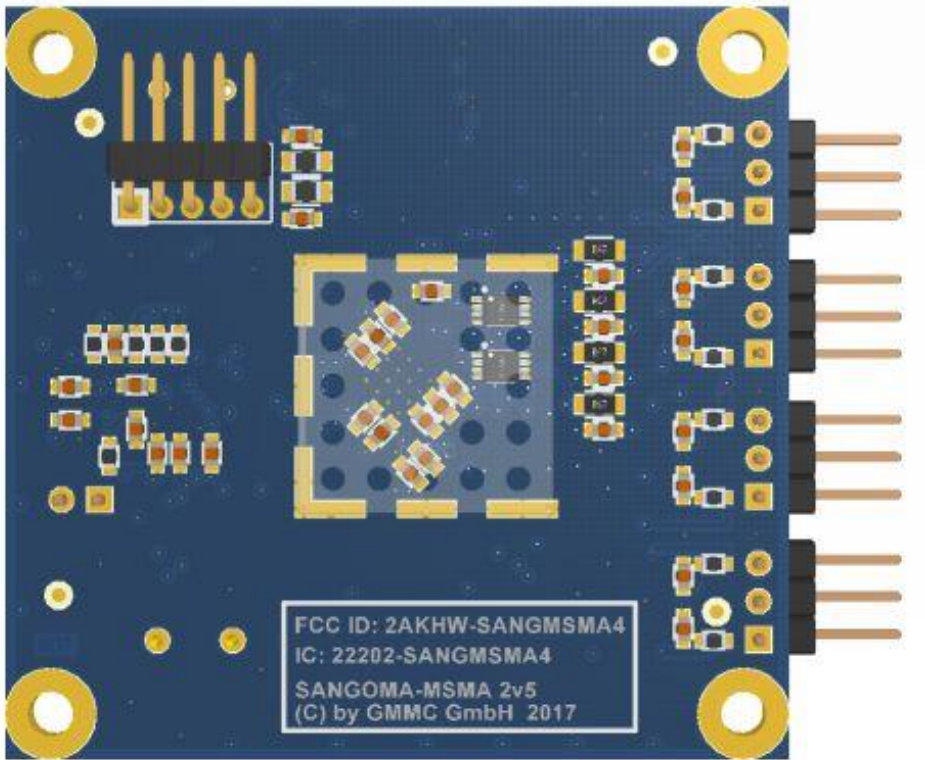


Label and location information



Placed at Bottom side of PCB