

# User manual

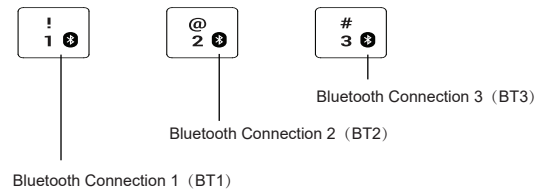
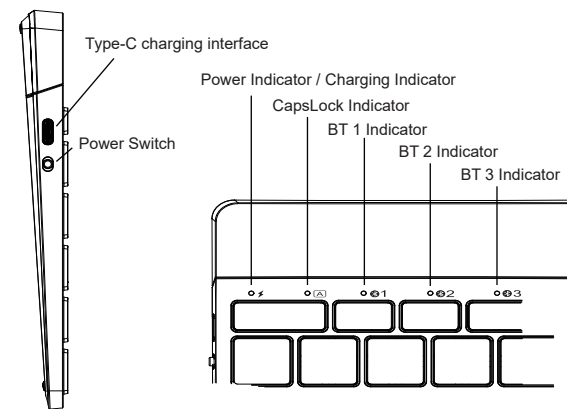
Bluetooth keyboard with hideable stand

www.links9.us

Thank you very much for using this product, please read the manual carefully before use.

## packing list

- 1\* Keyboard
- 1\* User manual
- 1\* USB To Type-C charging cable



⚡ After the keyboard is powered on, the red light will turn on for 3S and then turn off  
Red light flashes when the battery is too low; red light when charging, green light when fully charged.

A Turn on the upper and lower case button, the green light is on; press it again to turn off.

1 Single press to select BT1 channel, the blue light flashes once; Press and hold BT1 for 3 seconds, the Bluetooth light starts flashing quickly, and it enters the Bluetooth pairing mode.

2 Single press to select BT2 channel, the blue light flashes once; Press and hold BT2 for 3 seconds, the Bluetooth light starts flashing quickly, and it enters the Bluetooth pairing mode.

3 Single press to select BT3 channel, the blue light flashes once; Press and hold BT3 for 3 seconds, the Bluetooth light starts flashing quickly, and it enters the Bluetooth pairing mode.

## Bluetooth Keyboard Connection

- Power on the keyboard
- Press Fn and BT1, select the bluetooth channel, the bluetooth light flashes once.
- Press Fn and BT1 for 3 seconds. At this time, the blue light of BT1 flashes rapidly, and the keyboard enters the code matching mode.
- In the device's settings, find the Bluetooth switch option, turn on Bluetooth, click Search for Bluetooth, and then check the Bluetooth name of the keyboard "Bluetooth Keyboard" in the Bluetooth list of the device, and click Connect.
- When you see that the connection is successful in the settings, the blue light of the keyboard BT1 is always on, indicating that the keyboard and the device have been connected normally and can be used.

## Note :

- If you want to connect BT2 and BT3, please follow steps 1~5 to reconnect.
- If your bluetooth channels are all connected to the device successfully, switch between each device is used. Convert connections with a single press on a channel.
- When you are on an already connected Bluetooth channel and do not want to connect the current device, please follow steps 1~5 to reconnect the new device.

## Function key description

Key	For Win	For Android	For Mac OS	For IOS
☀	Decrease brightness	Decrease brightness	Decrease brightness	Decrease brightness
☀	Increase brightness	Increase brightness	Increase brightness	Increase brightness
🔍	Search	Search	Search	Search
🏠	Home page	Home page	NA	Home
📷	Screenshot	Screenshot	Screenshot	Screenshot
🖥️	Window Switch	Window Switch	Multi-window preview	Multi-window preview
⏮	Previous piece	Previous piece	Previous piece	Previous piece
⏸	Play / Pause	Play / Pause	Play / Pause	Play / Pause
⏭	Next track	Next track	Next track	Next track
🔇	Mute	Mute	Mute	Mute
🔊	Decrease the volume	Decrease the volume	Decrease the volume	Decrease the volume
🔊	Increase volume	Increase volume	Increase volume	Increase volume
🔒	Fn lock, open or close the Fn function			

**Note:** The blue characters and the corresponding functions of the F1-F12 series can be realized by pressing the corresponding keys together.

## Keyboard Specifications

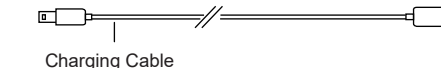
Project name	Specifications
Applicable system	Default win 8 (and above) system, Android, MAC OS,
Battery specifications	210 mAh
Standby time	600 hours
Wake-up method	Press any key to wake up
Working current	≤ 2 mA
Continuous working time	260 hours
Product Size	285.5*159*14.5mm
Effective transmission distance	Within 10 meters
Button life	3 million tap tests

## Sleep Mode

- When you do not use the keyboard for more than 30 minutes, the keyboard will automatically enter the sleep mode, at this time, it will be disconnected from the device and the indicator light will turn off.
- When you start to use the keyboard, press any key, the keyboard will wake up automatically, connect to the device successfully within 3 seconds, and the indicator light will turn on again.

## Product charging

When the power of the keyboard is too low, the red indicator light on the product will start to flash until it is completely turned off. Please plug in the charging cable charging cable in time to ensure normal use.  
When the power supply is too low: the transmission of the keyboard will be delayed, stuck, and the connection will be unstable.



If you have any problem, please feel free to contact us.

NOTE: This equipment has been tested and found to comply with the limits for a Class B digital device, pursuant to part 15 of the FCC Rules. These limits are designed to provide reasonable protection against harmful interference in a residential installation. This equipment generates uses and can radiate radio frequency energy and, if not installed and used in accordance with the instructions, may cause harmful interference to radio communications. However, there is no guarantee that interference will not occur in a particular installation. If this equipment does cause harmful interference to radio or television reception, which can be determined by turning the equipment off and on, the user is encouraged to try to correct the interference by one or more of the following measures:  
- Reorient or relocate the receiving antenna.  
- Increase the separation between the equipment and receiver.

-Connect the equipment into an outlet on a circuit different from that to which the receiver is connected. -Consult the dealer or an experienced radio/TV technician for help  
Changes or modifications not expressly approved by the party responsible for compliance could void the user's authority to operate the equipment.

This device complies with Part 15 of the FCC Rules. Operation is subject to the following two conditions:

- (1) this device may not cause harmful interference, and
- (2) this device must accept any interference received, including interference that may cause undesired operation.