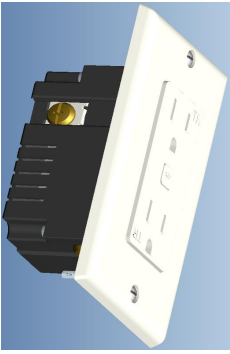
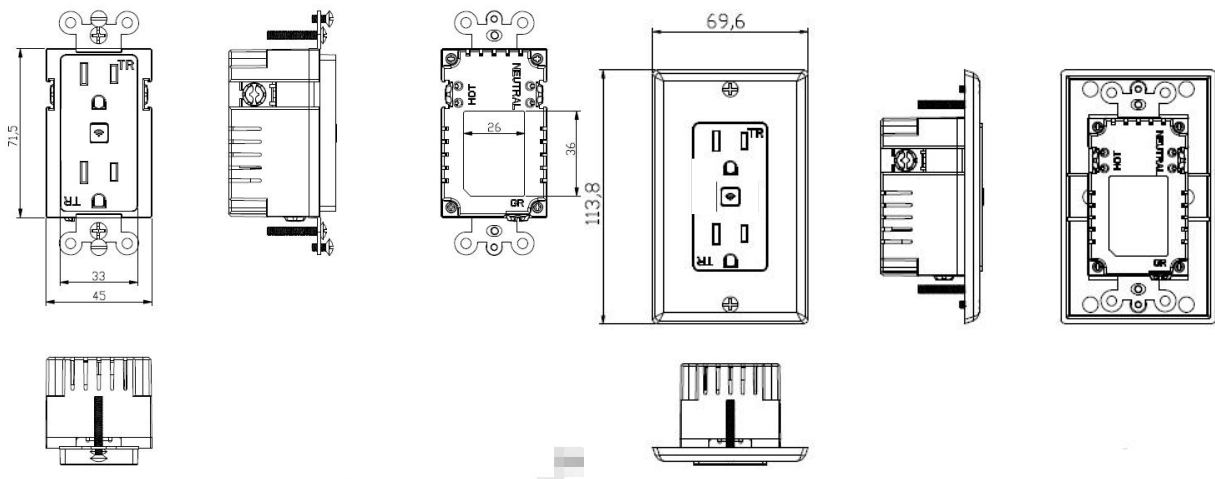


## 1、 Product appearance size and description

	Product Name:	Flush Receptacle with Integral Class 2 Power Unit and wireless remote control
	Application:	Office, Commercial and Home Lighting
	Product Features:	ON/OFF,Timer
	BT frequency/Hz	2.402G-2.480G
	Control way:	Voice control (Google home, Amazon Alexa),APP.

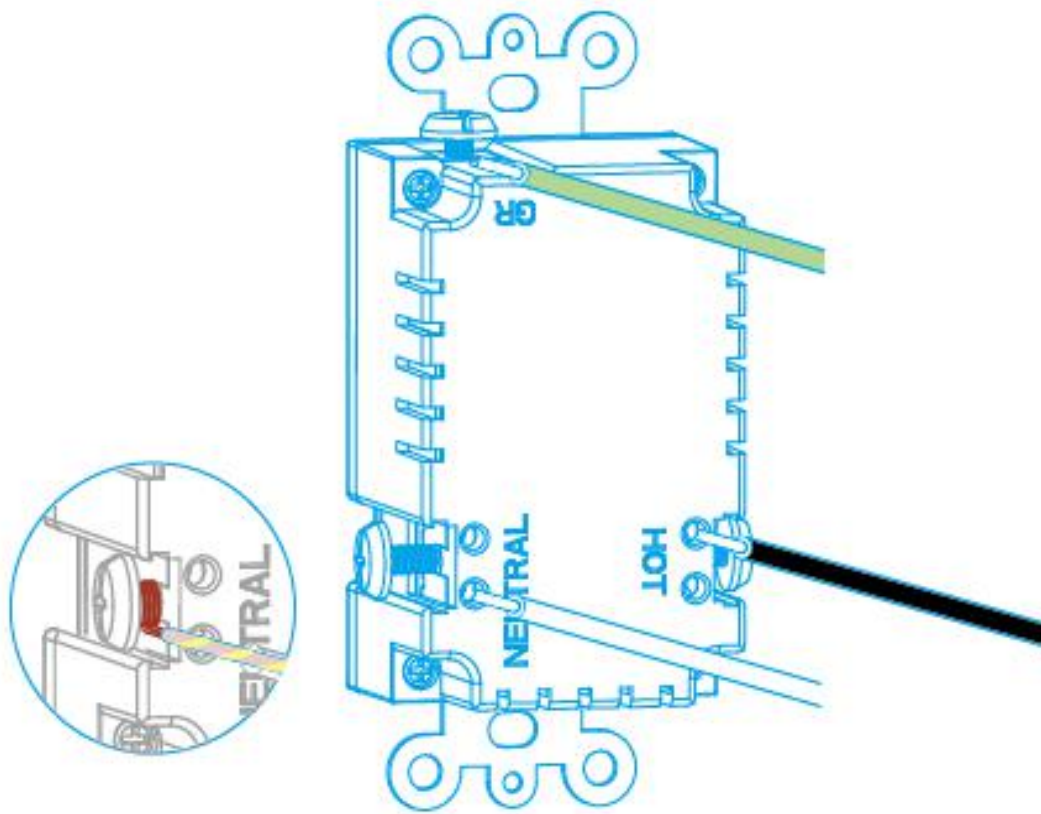
## 2、 Product dimension drawing and structure name:



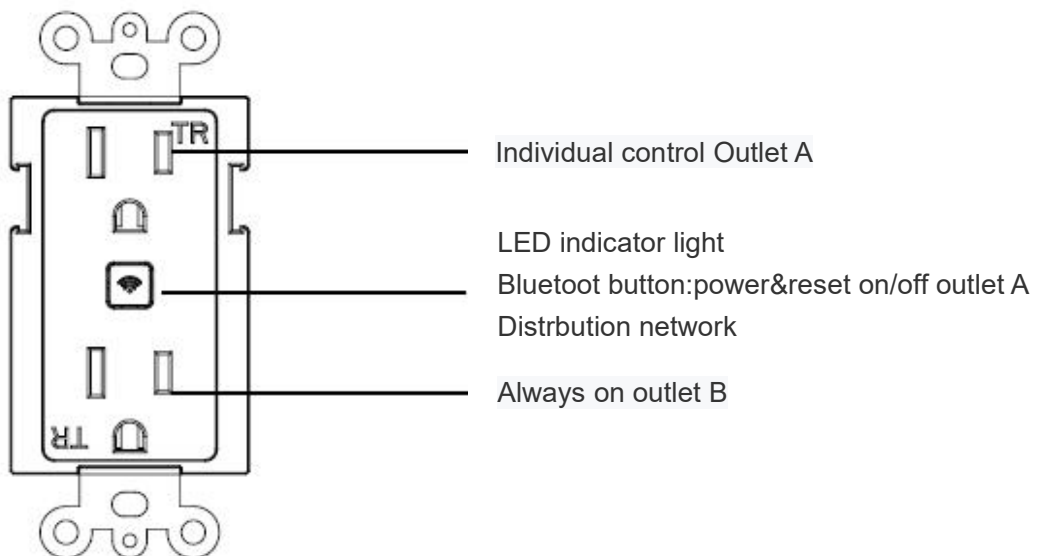
## 3、 Technical specifications

Input voltage / frequency (V / HZ)	125Vac 60 Hz
Socket load (A)	Single socket load 15A, total load 15A
Relay supply voltage (V)	5VDC
Wifi module supply voltage (V)	3.3VDC
Standby power consumption (W)	<0.5 (No network will entry sleeping state)
Working temperature (°C)	-10-40°C
Storage temperature (°C)	-20-70°C
Type of certification:	ETL
Safety requirements:	UL60730、UL498
EMC requirements:	FCC Prart15

#### 4、 Installation diagram



#### Functionality



## **5、 FCC Notice:**

This equipment has been tested and found to comply with the limits for a Class B digital device, pursuant to part 15 of the FCC Rules. These limits are designed to provide reasonable protection against harmful interference in a residential installation. This equipment generates, uses and can radiate radio frequency energy and, if not installed and used in accordance with the instructions, may cause harmful interference to radio communications. However, there is no guarantee that interference will not occur in a particular installation. If this equipment does cause harmful interference to radio or television reception, which can be determined by turning the equipment off and on, the user is encouraged to try to correct the interference by one or more of the following measures:

- Reorient or relocate the receiving antenna.
- Increase the separation between the equipment and receiver.
- Connect the equipment into an outlet on a circuit different from that to which the receiver is connected.
- Consult the dealer or an experienced radio/TV technician for help.

Caution: Any changes or modifications to this device not explicitly approved by manufacturer could void your authority to operate this equipment.

This device complies with part 15 of the FCC Rules. Operation is subject to the following two conditions: (1) This device may not cause harmful interference, and (2) this device must accept any interference received, including interference that may cause undesired operation.

### Radiation Exposure Statement

This equipment complies with FCC radiation exposure limits set forth for an uncontrolled environment. This equipment should be installed and operated with minimum distance 20cm between the radiator and your body.