



America

Certification Exhibit

**FCC ID: 2AKFQRT200
IC: 22165-RT200**

**FCC Rule Part: 15.231, 15.209
ISED Canada's Radio Standards Specification: RSS-210**

Project Number: 17-0001

**Manufacturer: Cognosos, Inc.
Model: RT-200**

Label Information

4

3

2

1

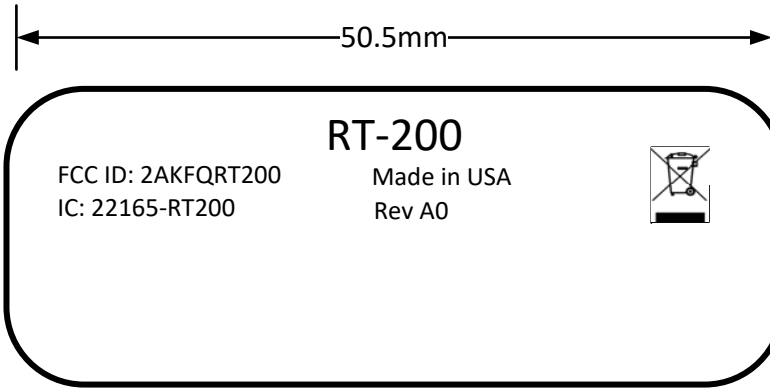
Revision History

Rev	ECO	Description	Date	App'd
A0	XXX	Initial Release	01162017	BE

D

D

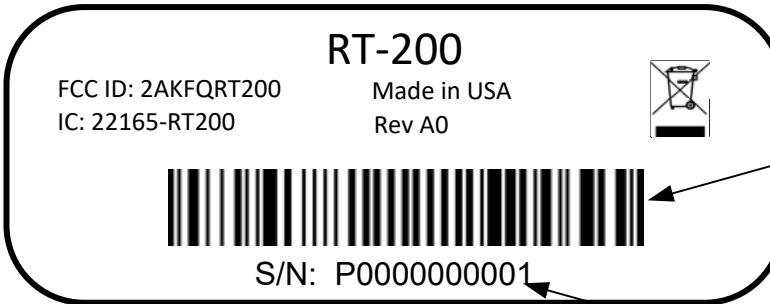
18.8mm



P/N MEC-20020 Blank Label
Fixed Content Contained in
Tracker_Label.ZPL

C

C



10-Digit 128 Bar Code
>= 5mm height

B

B

Notes:

Text height >= 1.5mm

1. Print Using Zebra Thermal Transfer Printer Model 110Xi4 with 5095 Resin Ribbon (or equivalent). Alternates Must be Approved in Writing by Cognosos

2. Cognosos S/N is a 10-digit right-justified, zero-prepended, decimal conversion of an incrementing serial number, with a "P" prefix.

3. Variable content only the S/N and barcode.

A

A

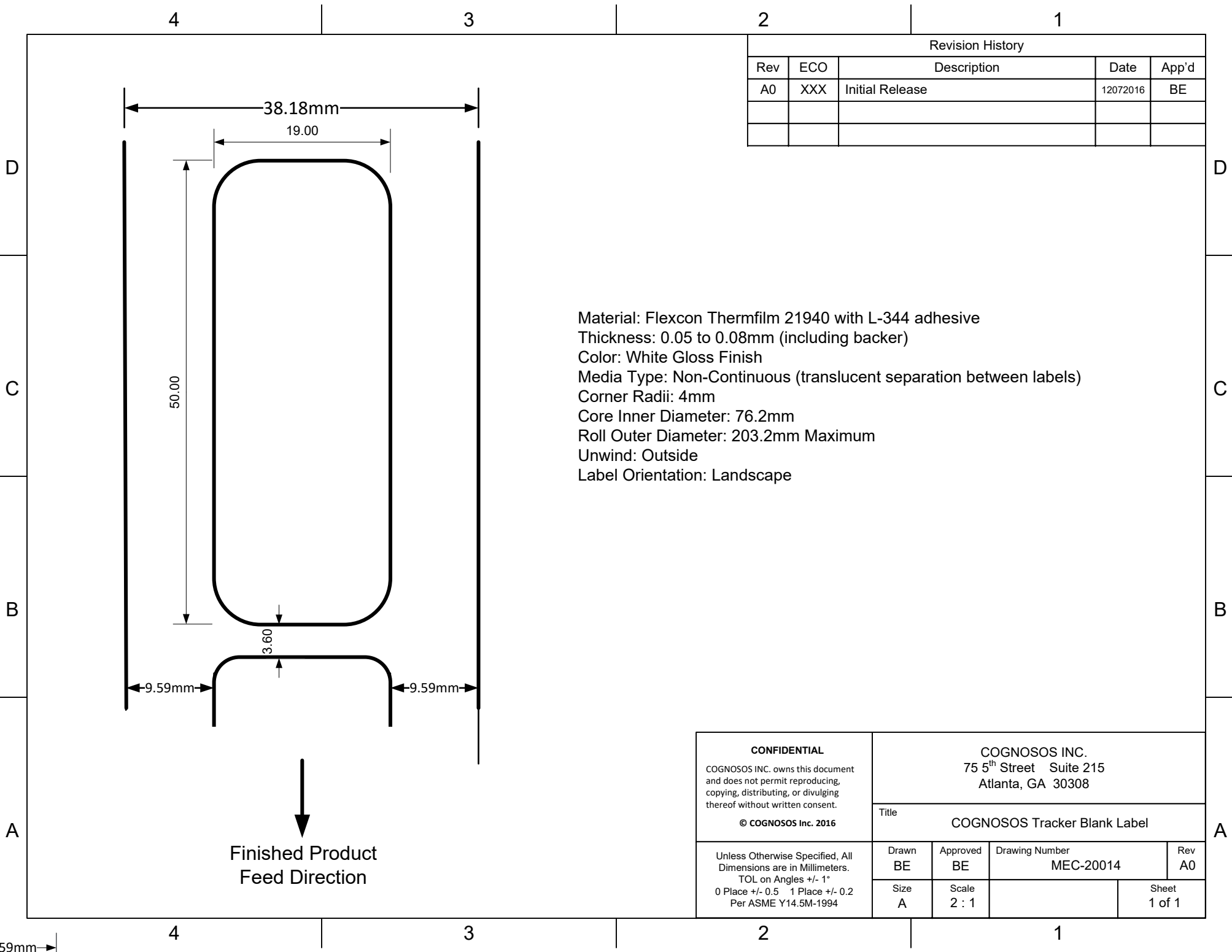
<p>CONFIDENTIAL COGNOSOS INC. owns this document and does not permit reproducing, copying, distributing, or divulging thereof without written consent. © COGNOSOS Inc. 2016</p>	<p>COGNOSOS INC. 75 5th Street Suite 215 Atlanta, GA 30308</p>			
	<p>Title COGNOSOS Tracker Label Print Spec</p>			
<p>Unless Otherwise Specified, All Dimensions are in Millimeters. TOL on Angles +/- 1° 0 Place +/- 0.5 1 Place +/- 0.2 Per ASME Y14.5M-1994</p>	<p>Drawn BE</p>	<p>Approved BE</p>	<p>Drawing Number MEC-20021</p>	<p>Rev A0</p>
	<p>Size A</p>	<p>Scale 2 : 1</p>	<p>Sheet 1 of 1</p>	

4

3

2

1



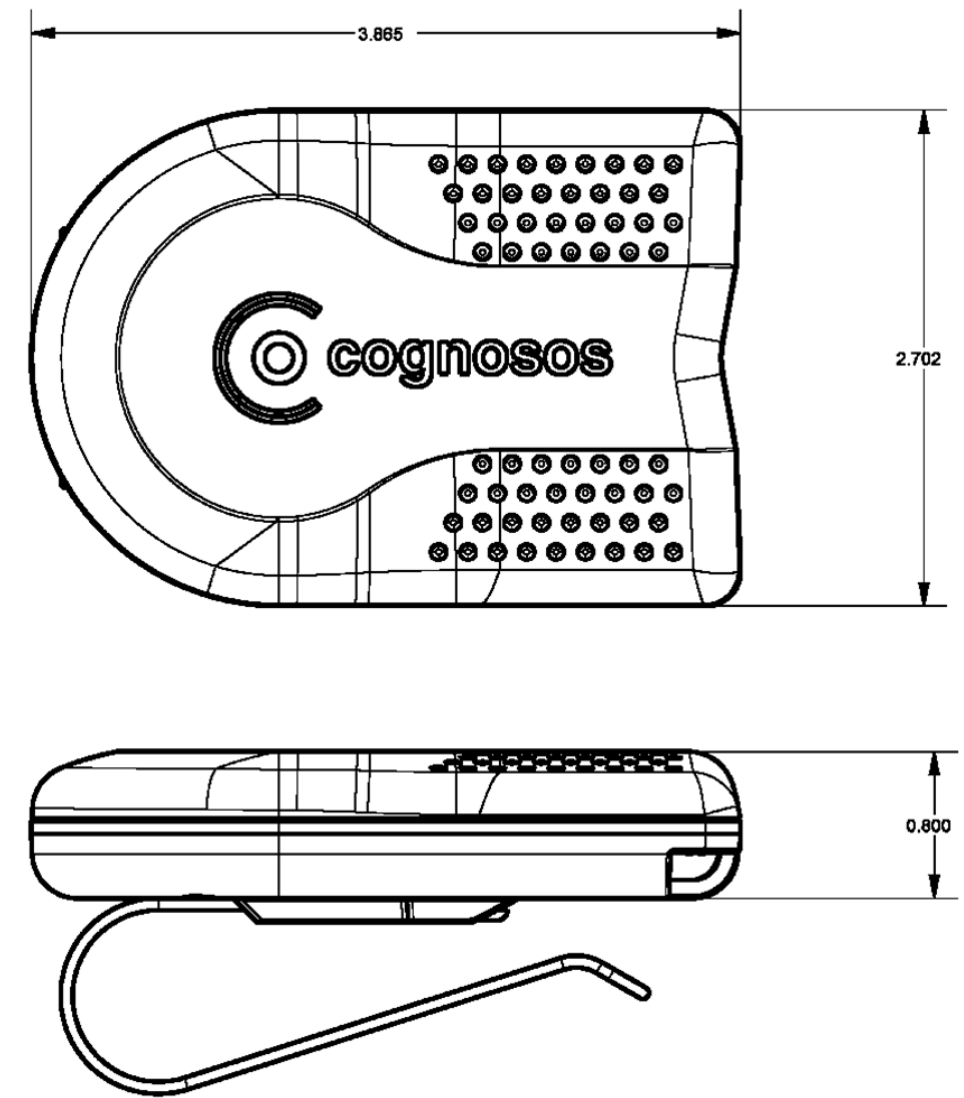
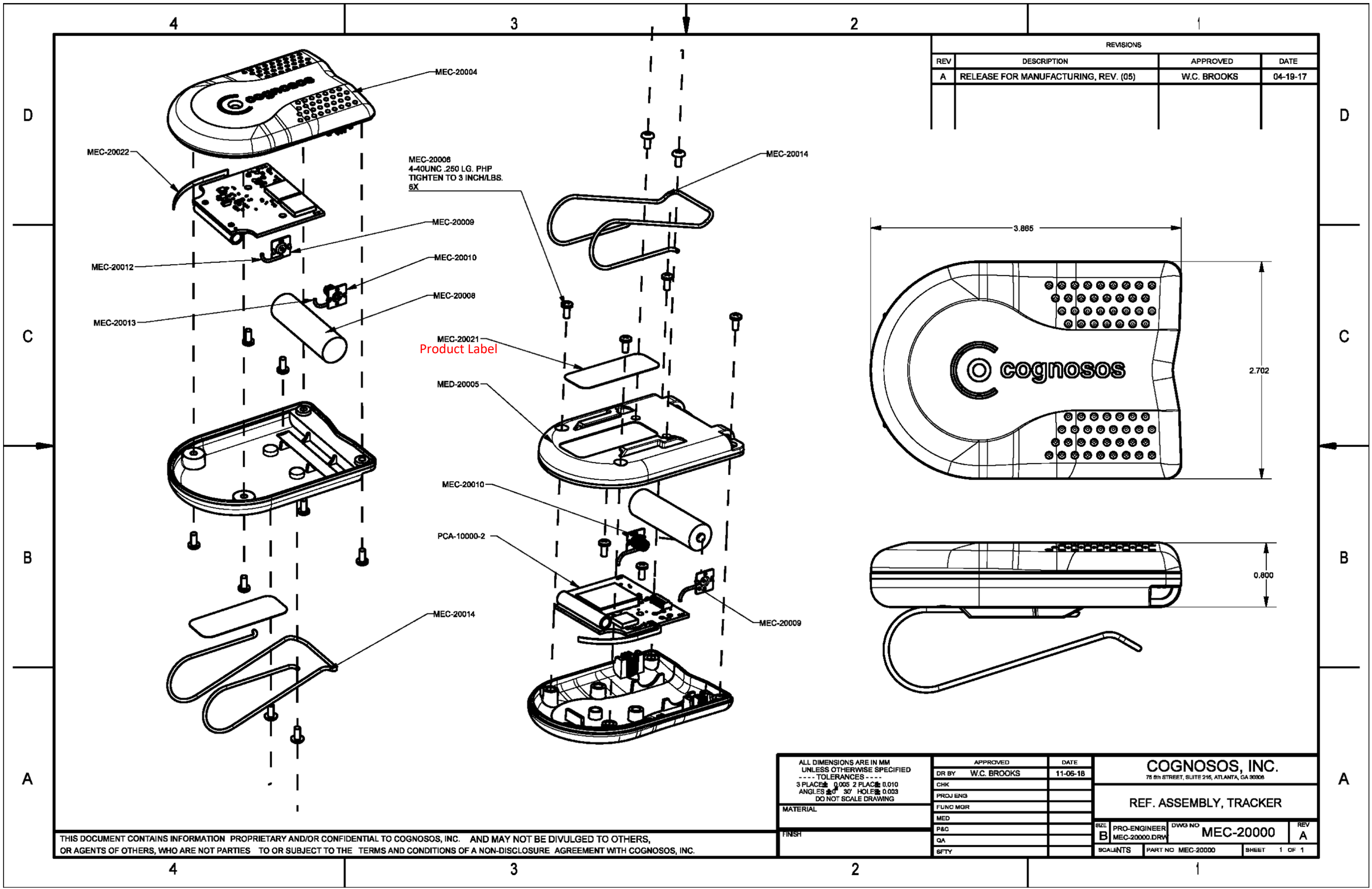
Revision History				
Rev	ECO	Description	Date	App'd
A0	XXX	Initial Release	12072016	BE

Material: Flexcon Thermfilm 21940 with L-344 adhesive
 Thickness: 0.05 to 0.08mm (including backer)
 Color: White Gloss Finish
 Media Type: Non-Continuous (translucent separation between labels)
 Corner Radii: 4mm
 Core Inner Diameter: 76.2mm
 Roll Outer Diameter: 203.2mm Maximum
 Unwind: Outside
 Label Orientation: Landscape

CONFIDENTIAL COGNOSOS INC. owns this document and does not permit reproducing, copying, distributing, or divulging thereof without written consent. © COGNOSOS Inc. 2016	COGNOSOS INC. 75 5 th Street Suite 215 Atlanta, GA 30308			
	Title COGNOSOS Tracker Blank Label			
Unless Otherwise Specified, All Dimensions are in Millimeters. TOL on Angles +/- 1° 0 Place +/- 0.5 1 Place +/- 0.2 Per ASME Y14.5M-1994	Drawn BE	Approved BE	Drawing Number MEC-20014	Rev A0
	Size A	Scale 2 : 1	Sheet 1 of 1	

←9.59mm→

REVISIONS			
REV	DESCRIPTION	APPROVED	DATE
A	RELEASE FOR MANUFACTURING, REV. (05)	W.C. BROOKS	04-19-17



ALL DIMENSIONS ARE IN MM UNLESS OTHERWISE SPECIFIED --- TOLERANCES --- 3 PLACES \pm 0.005 2 PLACES \pm 0.010 ANGLES \pm 30' HOLE \pm 0.003 DO NOT SCALE DRAWING		APPROVED DR BY W.C. BROOKS CHK PROJ ENG FUNC MGR MED P&C QA SFTY	DATE 11-06-18	COGNOSOS, INC. <small>75 5th STREET, SUITE 216, ATLANTA, GA 30308</small> REF. ASSEMBLY, TRACKER	SIZE B	PRO-ENGINEER MEC-20000.DRW	DWG NO MEC-20000	REV A
MATERIAL FINISH		SCALES PART NO MEC-20000	SHEET 1 OF 1					

THIS DOCUMENT CONTAINS INFORMATION PROPRIETARY AND/OR CONFIDENTIAL TO COGNOSOS, INC. AND MAY NOT BE DIVULGED TO OTHERS, OR AGENTS OF OTHERS, WHO ARE NOT PARTIES TO OR SUBJECT TO THE TERMS AND CONDITIONS OF A NON-DISCLOSURE AGREEMENT WITH COGNOSOS, INC.