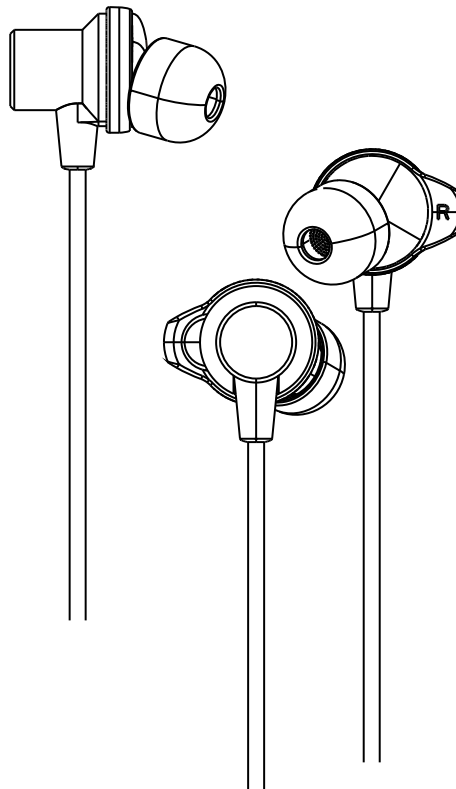
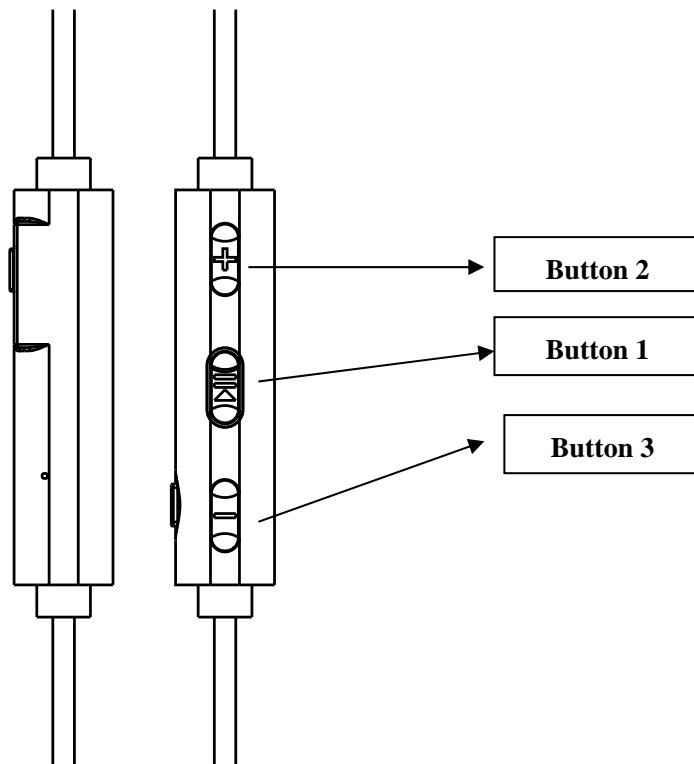


# Q1 Sport Bluetooth Headset User Manual



## BASIC OPERATIONS

### Turning the headset on/off

#### 1. To turn the headset on

Press and hold Button 1 for 3 seconds, the white indicator of the headset will flash 1 second and you will hear a voice “Power on”, then the headset is turned on.

#### 2. To turn the headset off

Press and hold Button 1 for 2 seconds, the white indicator will flash and turn to red, you will hear a voice “Power off”, then the headset is turned off.

#### 3. When you hear a voice “Battery Low”, please charge the headset.

### Charging

Connect the USB port of the headset with the car charger or computer by USB cable. When charging, the indicator of the headset will turn white, when full charged, the indicator will turn off.

### Pairing

**Before using your headset for the first time, you must pair it with your Bluetooth enabled phone.**

1. Ensure that the headset is off (see “To turn the headset off” section). And the mobile phone Bluetooth setting is activated.

2. Press and hold Button 1 for about 5 seconds until the indicator light flashes white all the time and you will hear a voice “pairing”, now the headset is under pairing mode.

3. Set your Bluetooth phone to discover the headset by following your phone's guide. Typically, the steps involve going to a ‘Setup’, ‘Connect’, or ‘Bluetooth’ menu on your phone and then selecting the option to discover Bluetooth devices.

4. Your phone will find the “Q1” headset and press “Q1” on the mobile phone, you will hear a voice “connected”, and then your headset is connected with your mobile phone.

5. If your mobile phone is below version 2.1, then you need to enter password “0000”.

**IMPORTANT:** If the pairing can't be completed within 90 seconds while the pairing mode is activated, which means the pairing is unsuccessful, please repeat Step 1 to Step 5 to pair the headset with the mobile phone again.

### Pairing Your Headset with Two Mobile Phones (Multipoint connecting)

## **Q1 supports a Multipoint function to allow simultaneous pairing of the headset with two mobile phones.**

1. Follow the pairing procedure as instructed in “Pairing” section to pair the headset with the first mobile phone.
2. Turn off the headset.
3. Repeat the same pairing procedure on the second mobile phone.
4. On the first mobile phone’s menu, activate its Bluetooth connection with the headset.

## **Volume Control**

Short press Button 2 to increase the volume and short press Button 3 to decrease the volume.

## **Play/Pause**

During music playing, press Button 1 to pause the music and press Button 1 once again to continue the music again.

## **Next Song**

During music playing, press and hold Button 2 for 3 seconds to turn to the next song

## **Previous Song**

During music playing, press and hold Button 3 for 3 seconds to turn to the previous song

## **Voice Dialing**

**Please ensure your mobile phone support voice dialing function and the voice tag assigned for this feature.**

1. Press and hold Button 2 or Button 3 for 3 seconds to open voice dialing.
2. Press and hold Button 2 or Button 3 for 3 seconds again to close voice dialing.

**Note:** Depending on your phone type, the actual operation may be different.

## **Ending a call**

Shortly press Button 1 once to end the call

## **Answering a call**

### **Connected with one mobile phone:**

Shortly press Button 1 once to answer the call

### **Connected with two mobile phones:**

1. Press Button 1 once to receive the second call but end the first call when there is a call on the first mobile phone and there is another call coming from the second mobile phone.
2. Press Button 1 twice to receive the second call and keep the first call when there is a call on the first mobile phone and there is another call coming from the second mobile phone.
3. Press Button 1 twice to transfer the two calls

## **Last number redialing**

### **Connected with one mobile phone:**

Press Button 1 twice to make the last number redial

### **Connected with two mobile phones:**

Press Button 1 twice to make the last number redial

This feature will be available on only one mobile phone which it's firstly connected with the headset.

**Note:** Depend on your phone type, the actual operation may vary.

## **Rejecting an incoming call**

Press and hold Button 1 for 2 seconds to reject a call.

## **iPhone Battery Indication**

It will display the battery of the headset on the upper right of iPhone which you can check the battery of the headset and confirm when you need to charge your headset.

## **Product Specifications**

Bluetooth Version 4.1

CSRBC8640 chipset

Micro USB charging port

Support HFP, HSP, A2DP and AVRCP

Connect with two Bluetooth devices at the same time

Operating Range: Up to 30 feet (10 meters)

90mAh rechargeable battery

Talk time: 6 hours

Music Play time: 6 hours

Standby time: 200 hours

Charging time: about 1-2 hours

iPhone battery indication

CVC echo and noise cancellation

Support voice prompt for MMI:

Power on/paring/connecting/battery low/Power off

## **FCC Statement**

This equipment has been tested and found to comply with the limits for a Class B digital device, pursuant to Part 15 of the FCC Rules. These limits are designed to provide reasonable protection against harmful interference in a residential installation. This equipment generates uses and can radiate radio frequency energy and, if not installed and used in accordance with the instructions, may cause harmful interference to radio communications. However, there is no guarantee that interference will not occur in a particular installation. If this equipment does cause harmful interference to radio or television reception, which can be determined by turning the equipment off and on, the user is encouraged to try to correct the interference by one or more of the following measures:

- Reorient or relocate the receiving antenna.
- Increase the separation between the equipment and receiver.
- Connect the equipment into an outlet on a circuit different from that to which the receiver is connected.
- Consult the dealer or an experienced radio/TV technician for help.

This device complies with part 15 of the FCC Rules. Operation is subject to the following two conditions:

- (1) This device may not cause harmful interference, and
- (2) this device must accept any interference received, including interference that may cause undesired operation.

Changes or modifications not expressly approved by the party responsible for compliance could void the user's authority to operate the equipment.